



A TEREX BRAND

Parts Manual

Serial Number Range

IWP Super Series

from SN 4096-101 to 4001-4413

from SN IWP02-4205 to
IWP16-9834

from SN IWP16G-9835 to
IWP16G-11999

Part No. 38140

Rev H4

June 2018

Technical Publications

Genie has endeavored to deliver the highest degree of accuracy possible. However, continuous improvement of our products is a Genie policy. Therefore, product specifications are subject to change without notice.

Readers are encouraged to notify Genie of errors and send in suggestions for improvement. All communications will be carefully considered for future printings of this and all other manuals.

Contact Us:

Internet: www.genielift.com
e-mail: awp.techpub@terex.com

Find a Manual for this Model


Go to <http://www.genielift.com>

Use the links to locate Operator's, Parts, Maintenance, and Service and Repair Manuals.

Copyright © 2011 by Terex Corporation

38140 Rev H August 2017
First Edition, Seventh Printing

Genie is a registered trademark of Terex South Dakota, Inc. in the USA and many other countries. "IWP" is a trademark of Terex South Dakota, Inc.

 Printed on recycled paper

To August 31, 2016

Genie
A TEREX BRAND

Model: Serial number: AWP16G-12345

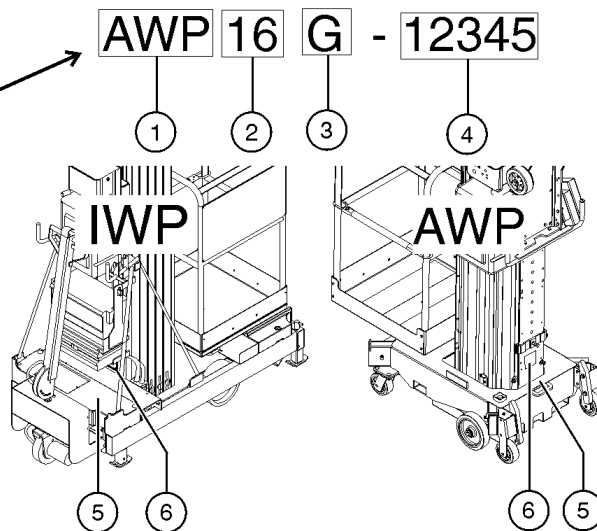
Manufacture date: 01/02/2010 Model year: 2016

Elec/Hydr Schematic:
Power supply voltage/Pneumatic Pressure:

Nominal Power:
Machine unladen weight:
Max Load:
Occupants and Equipment must not exceed:

Maximum allowable inclination of the chassis:

Maximum Wind Speed:
Indoor:
Outdoor:
Gradeability:
Maximum allowable side force:
Maximum platform height:



- 1 Model
- 2 Model year
- 3 Facility code

- 4 Sequence number
- 5 Serial number (stamped on chassis)
- 6 Serial label

From September 1, 2016

Genie
A TEREX BRAND

Model: Serial number: AWPG-12345

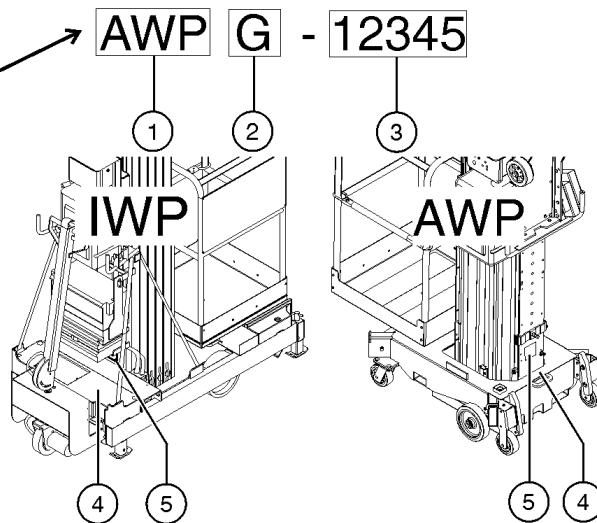
Year of Manufacture : 2016

Elec/Hydr Schematic:
Power supply voltage/Pneumatic Pressure:

Nominal Power:
Machine unladen weight:
Max Load:
Occupants and Equipment must not exceed:

Maximum allowable inclination of the chassis:

Maximum Wind Speed:
Indoor:
Outdoor:
Gradeability:
Maximum allowable side force:
Maximum platform height:



- 1 Model
- 2 Facility code
- 3 Sequence number

- 4 Serial number (stamped on chassis)
- 5 Serial label

Table of Contents

This manual is updated frequently. If you have a printed manual, you can keep it up to date by downloading new figures from the Genie website at www.genielift.com. For the most up-to-date parts information, visit the Parts Lookup System on the Genie website at www.genielift.com.

How to Read Your Serial Number.....	3
Parts Stocking List.....	7
How to Order Parts.....	8
Service Parts Fax Order Form.....	9

Electronic Version

Click on any page number to view the figure.

100 Decals

101.1 Decals (to serial number IWP04-5497).....	10
101.2 Decals with Words (from serial number IWP04-5498).....	12
102.1 Decals with Symbols (from serial number IWP04-5498).....	14

200 Base Components

201.1 Base Assembly, Outer Frame.....	16
202.1 Base Assembly, Inner Frame.....	20
203.1 Power Wheel Assist Option, Wheel Pivot Mount.....	22
204.1 Power Wheel Assist Option, Wheel Pivot.....	24
205.1 Power Wheel Assist Option, Steer Handle.....	26

300 Mast Components

301.1 Number 1 and 2 Column Assemblies, all Models.....	30
302.1 Number 3 and 4 Column Assemblies, IWP-20S.....	32
303.1 Number 3, 4 and 5 Column Assemblies, IWP-25S.....	34
304.1 Number 3, 4, 5 and 6 Column Assemblies, IWP-30S.....	36
305.1 Carriage Assembly, Models without Platform Outreach Option.....	38
306.1 Carriage Assembly, IWP-20S with Platform Outreach Option.....	40
307.1 Lifting Chain Assemblies, IWP-20S.....	42
308.1 Lifting Chain Assemblies, IWP-25S.....	44
309.1 Lifting Chain Assemblies, IWP-30S.....	46
310.1 Sequencing Cables.....	48
311.1 Number 1 Column Attached Parts.....	50
312.1 Mast Cover.....	52

400 Power Groups

401.1 Battery Pack Assembly, DC Models.....	54
402.1 Battery Charger, ANSI Models.....	56
403.1 Battery Charger, CE Models.....	58
404.1 Battery Charger, Worldwide, Lester Model.....	60
405.1 Battery Charger, World Wide, Signet Model.....	62
406.1 Power Unit Installation.....	64
407.1 Ground Controls, DC Models.....	66
408.1 Ground Controls, AC Models.....	70
409.1 Platform Controls, ANSI Models.....	74
410.1 Platform Controls, CE Models.....	76
411.1 Control Cable Assembly, IWP-20S and IWP-30S.....	78
412.1 Control Cable Assembly, IWP-20S with Platform Outreach.....	80
413.1 Control Cable Assembly, IWP-25S.....	82

500 Platform Components

501.1 Platform Assembly, Aluminum, Sliding Mid-rail Entry.....	84
502.1 Platform Assembly, Aluminum, Gated Entry.....	86
503.1 Platform Assembly, Aluminum, Extra Large, Front and Side Entry.....	90
504.1 Platform Assembly, Fiberglass.....	92
505.1 Platform Outreach Option, View 1, IWP-20S.....	94
506.1 Platform Outreach Option, View 2, IWP-20S.....	96

600 Hydraulic Components

601.1 Foot Pump Manifold.....	98
601.2 Foot Pump Manifold (from IWP09-8269).....	100
602.1 Lift Cylinder.....	102
603.1 Hydraulic Power Unit (to serial number IWP02-4204).....	104
603.2 Hydraulic Power Unit (from serial number IWP02-4205).....	106
604.1 Power Wheel Assist Manifold.....	108
605.1 Hydraulic Hoses and Fittings (to serial number IWP07-7101).....	110
605.2 Hydraulic Hoses and Fittings (from serial number IWP07-7102).....	112
606.1 Hydraulic Hoses and Fittings, Models with Power Assist Option (to serial number 4097-990).....	114
606.2 Hydraulic Hoses and Fittings, Models with Power Assist Option (from serial number 4097-991 to 4098-1748).....	116
606.3 Hydraulic Hoses and Fittings, Models with Power Assist Option (from serial number 4098-1749 to IWP07-7101).....	118
606.4 Hydraulic Hoses and Fittings, Models with Power Assist Option (from serial number IWP07-7102).....	120

700 Accessories

701.1 Operational Warning Light and Descent Alarm.....	122
--	-----

702.1 Tube Caddy, Tray and Platform Locating Light.....124
703.1 Dual Battery Package.....126

Indices

Part Number Index.....128
Part Description Index.....132

Cross References

Required Parts

The following parts are required to perform maintenance procedures as outlined in the Genie AWP Super Series & Genie IWP Super Series Service Manual.

Description	Part No.
Filter Element, 10 Micron.....	44788
Element - Hydraulic Return Filter	52465
O-ring Kit (for O-ring Face Seal Fitting)	49612
Plug and Cap Kit (for O-ring Face Seal Fitting)	49613
Dielectric Grease	66399

Recommended Parts

Description	Part No.
Genie Blue Paint, 1 Gallon	32150
Genie Blue Paint, 12 Ounce Aerosol.....	1484
Genie Gray Paint, 1 Gallon.....	32151
Genie Gray Paint, 12 Ounce Aerosol	1268

Manuals

Genie Industries offers the following Support documents for these models:

Title	Part No
EMI Safety Manual.....	27581
Manual of Responsibilities ANSI A 92.3	31587

How to Order Parts

Please be prepared with the following information when ordering replacement parts for your Terex or Genie product.

- Machine model number
- Machine serial number
- Part number
- Part description and quantity
- Purchase order number
- "Ship to" address
- Desired method of shipment
- Name and telephone number of the authorized distributor in your area

Use the Service Parts Fax Order Form on the next page and fax your order to our Parts Department.

If you don't know the name of your authorized distributor, or if your area is not currently serviced by an authorized distributor, please call Terex or Genie Industries.

Machine Information

Model

Serial Number

Date of Purchase

Authorized Genie Distributor

Phone Number

North America

Telephone (425)881-1800

Toll Free (800)536-1800 in US and Canada

Fax (425)556-8659

Toll Free fax (888)274-6192

Email AWP.PartsSalesPO@terex.com

<http://genielift.com/en>

EMEAR (Europe, Middle East, Africa and Russia)

Telephone (31)(165)519 313

Fax (31)(165)511 148

<http://genielift.co.uk>

Asia Pacific (Genie Singapore)

Telephone +65 6692 7777

Fax +65 6261 8893

<http://genielift.com.sg/>

Australia

Telephone (61)(7)3456 4444

Fax (61)(7)3456 4466

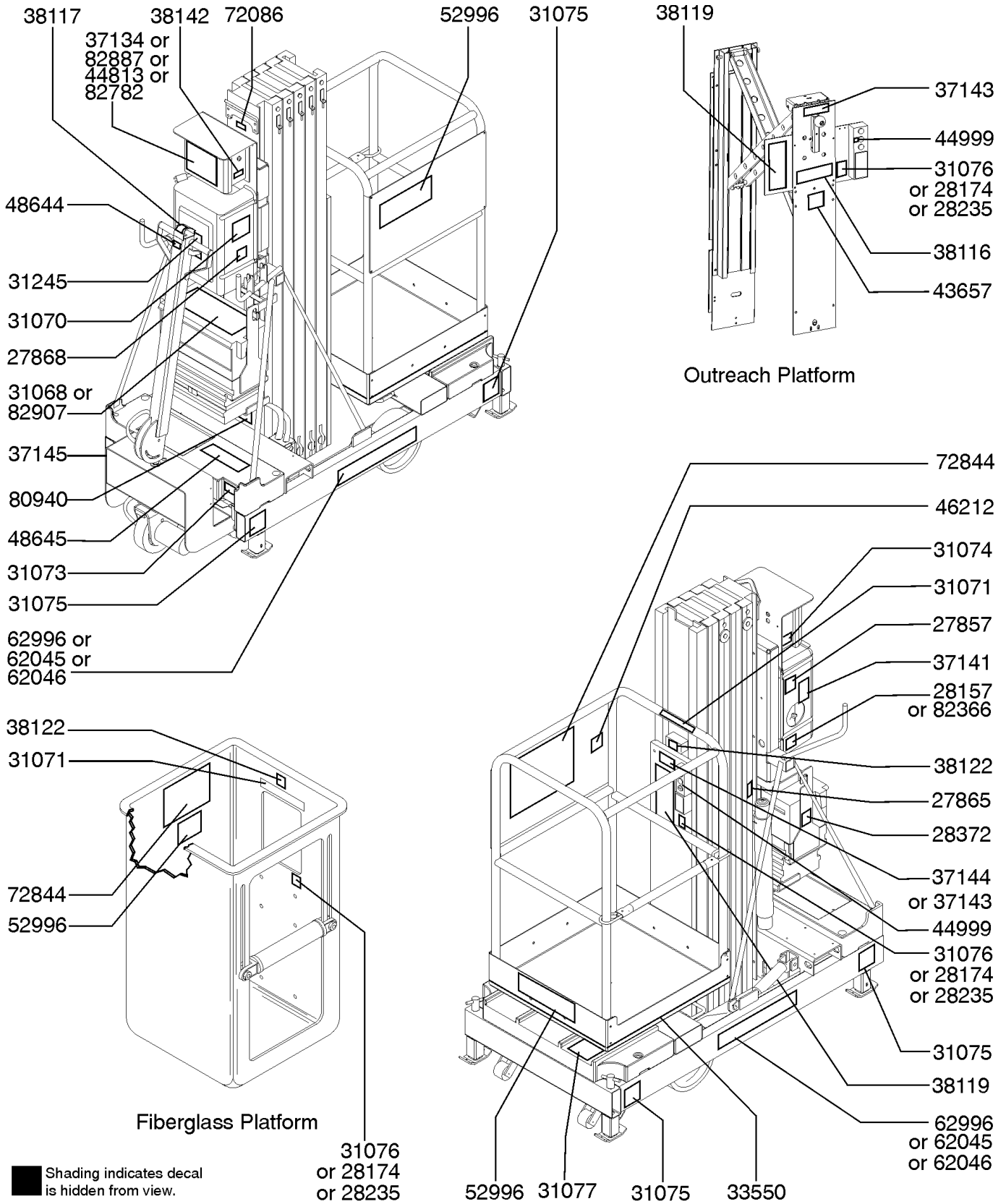
<http://genielift.com.au>

South America

Telephone (55)(11)4082 5600

Fax (55)(11)4082 5630

101.1 Decals (to serial number IWP04-5497)

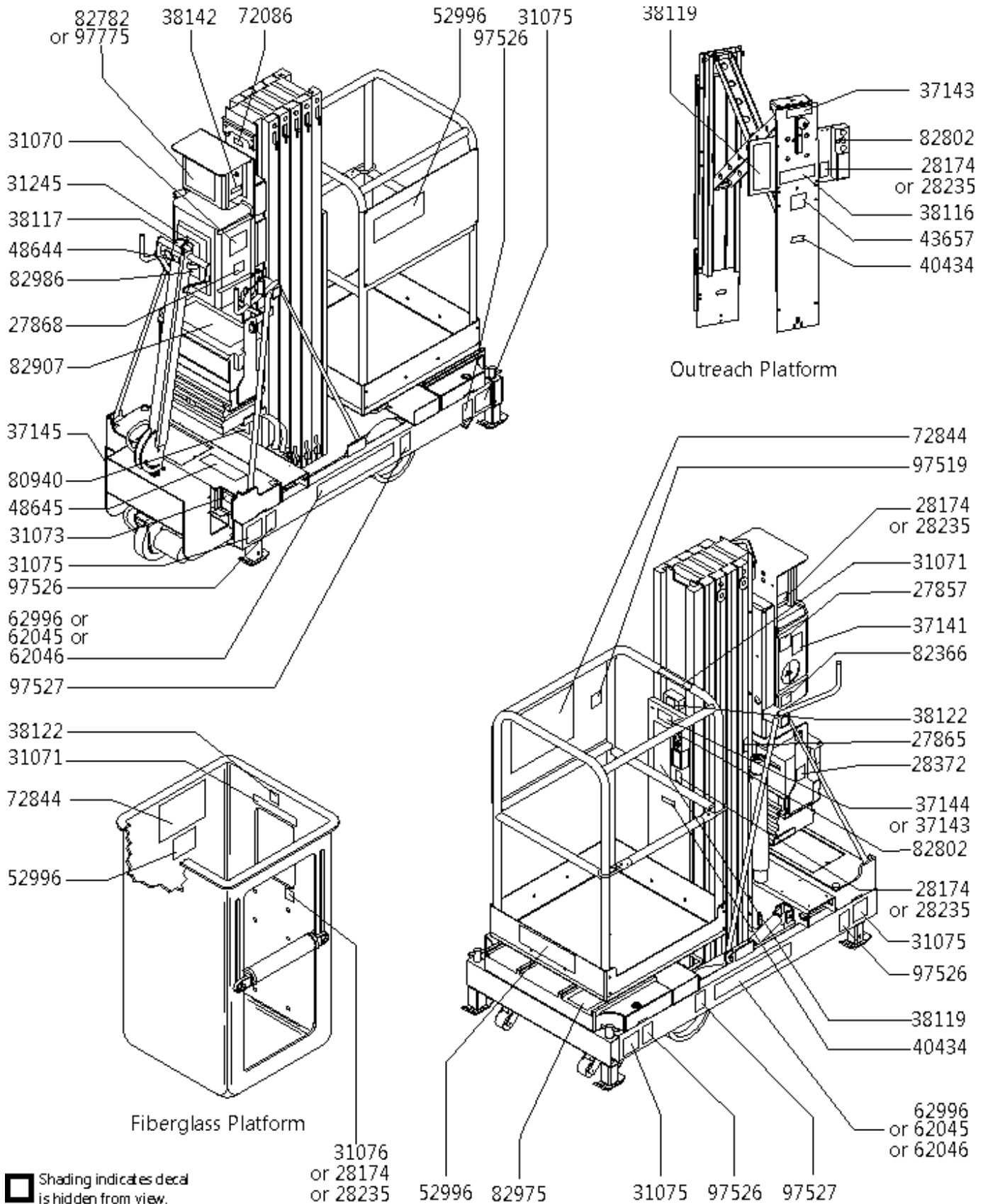


101.1 Decals (to serial number IWP04-5497)

Item	Part No.	Description	Qty.	Item	Part No.	Description	Qty.
--		(The IWP Super Series were produced using 4 different interlock display decals on the ground control box. Refer to the specific decal part number on the control box when ordering replacement part.)		30	44813GT	DECAL,INTRLCK_DSPLY,IWP.....1 (3 position Key Switch)	1
--	40570GT	DECAL KIT SFTY/INST. IWP-S (includes items 1-3, 7, 9-15, 18, 21, 24, 25, 27, 34, 38 and 39)		31	44999GT	DECAL,LABEL, CONTROL ACTIVATE...1 (CE models)	1
1	27857GT	DECAL,COMPONENT DAMAGE,CAP....1		32	48644GT	DECAL,LABEL,FUNCTN ENABL LEVER.....1	1
2	27865GT	DECAL,BUBBLE LEVEL***.....1		33	48645GT	DECAL,DANGER,PWA SAFETY/SETUP.....1	1
3	27868GT	DECAL,DANGER-TIP OVER.....1		34	52996GT	DECAL,COSMETIC,GENIE LOGO.....2	2
4	28157GT	DECAL,USE DEXRON***.....1		35	62045GT	DECAL,COSMETIC,GENIE IWP-25S.....2	2
5	28174GT	DECAL, POWER TO PLATFORM 230V**.....2		36	62046GT	DECAL,COSMETIC,GENIE IWP-30S.....2	2
6	28235GT	DECAL,POWER TO PLATFORM 115V...2		37	62996GT	DECAL,COSMETIC,GENIE IWP-20S.....2	2
7	28372GT	DECAL,NOTICE,BATTERY CABLES....1		38	72086GT	DECAL,LABEL,LIFTING EYE.....1	1
8	31068GT	DECAL,DANGER,BATTERY SAFETY.....1 (models with Lester charger)		39	72844GT	DECAL,DANGER,GENERAL SAFE,IWP.....1	1
9	31070GT	DECAL,DANGER,TIP-OVER HAZARD...1		40	82366GT	DECAL, LABEL - CHEVRON RANDO.....1 (from SN 4631)	1
10	31071GT	DECAL,WARNING,FAILURE TO READ.....1		41	82782GT	DECAL,INTERLOCK_DISPLAY,IWP.....1 (3 position Key Switch)	1
11	31073GT	DECAL,LABEL,FOOT PEDAL.....1		42	82887GT	DECAL, INTERLOCK DISPLAY IWPS....1 (2 position Key Switch)	1
12	31075GT	DECAL,CAUTION,CRUSHING HAZARD.....4		43	82907GT	DECAL,DANGER,BATTERY SAFETY.....1 (models with Signet charger)	1
13	31076GT	DECAL,CAUTION,8A MAX.115V AC**....1		44	80940GT	ASSY,SER # LABEL,POWERED/GR **.....1	1
14	31077GT	DECAL,CAUTION,COLLISION HAZARD.....1					
15	31245GT	DECAL,WARNING,COLLISION HAZARD.....1					
16	33550GT	TAPE,WARNING,BLK/YEL, 50'*** (CE models)					
17	37134GT	DECAL, INTERLOCK DISPLAY IWPS*...1 (2 position Key Switch)					
18	37141GT	DECAL, NOTICE, MANUAL LOWERING.....1					
19	37143GT	DECAL,NOTICE, LOAD CAP 300.....1					
20	37144GT	DECAL, NOTICE, LOAD CAP 350.....1					
21	37145GT	DECAL, MANUAL LOWERING VALVE....1					
22	38116GT	DECAL,DANGER,OUTRCH SAFE/SETUP.....1					
23	38117GT	DECAL, LABEL, PWA OPER INST.....1					
24	38119GT	DECAL,NOTICE,OPER.INST.,IWP-S....1					
25	38122GT	DECAL,LABEL, OM STORAGE.....1					
26	38142GT	DECAL, LABEL, CIRCUIT BREAKER.....1 (AC models)					
27	38149GT	DECAL,LABEL,PATENTS.....1					
28	43657GT	DECAL,DANGER,TIP-OVER,OUTREACH.1					
29	46212GT	DECAL,NOTICE,SIDE FRC/WIND,CE....1 (CE models)					



101.2 Decals with Words (from serial number IWP04-5498)

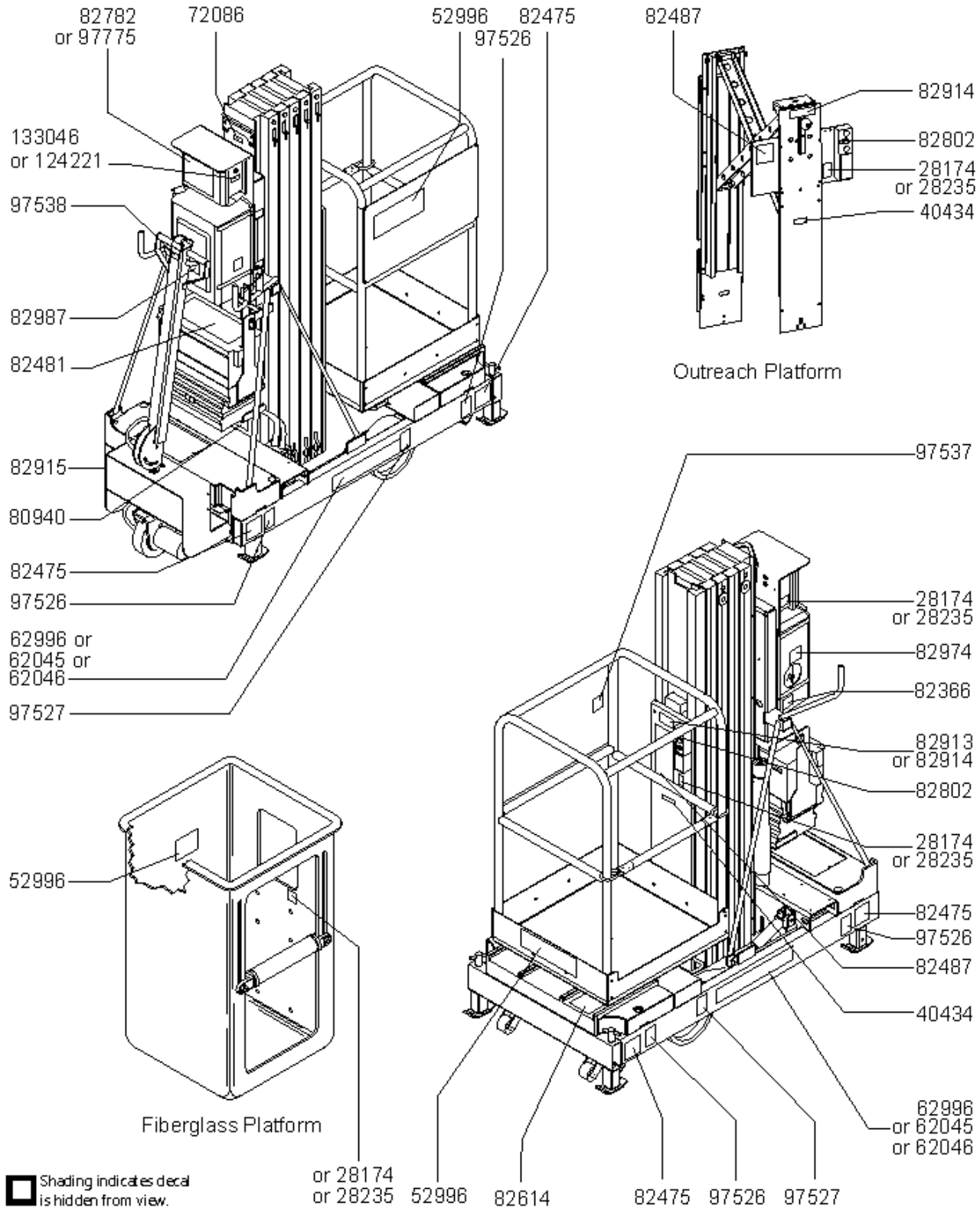


101.2 Decals with Words (from serial number IWP04-5498)

Item	Part No.	Description	Qty.	Item	Part No.	Description	Qty.
--	85474GT	DECAL KIT SFTY/INSTR IWPS,WRD <i>(includes items 1-3, 6-12, 15, 18, 19, 24, 28, 29, 31, 33-36, 38 and 39; from SN 5498)</i>		33	82802GT	DECAL,LABEL,FUNCTION ENABLE.....1	
1	27857GT	DECAL,COMPONENT DAMAGE,CAP....1		34	82907GT	DECAL,DANGER,BATTERY SAFETY.....1	
2	27865GT	DECAL,BUBBLE LEVEL***.....1 <i>(models with mast-mounted level sensor)</i>		35	82975GT	DECAL,DANGER,COLLISION HAZARD.....1	
3	27868GT	DECAL,DANGER-TIP OVER.....1		36	82986GT	DECAL,DANGER,ELEC.HAZ.STAY CLR.....1	
4	28174GT	DECAL, POWER TO PLATFORM 230V**.....2		37	97519GT	DECAL,NOTICE,SIDE FORCE ANSI.....1	
5	28235GT	DECAL,POWER TO PLATFORM 115V...2		38	97526GT	DECAL,LABEL,FOOT PAD LOAD IWP...4	
6	28372GT	DECAL,NOTICE,BATTERY CABLES.....1		39	97527GT	DECAL,LABEL,WHEEL LOAD, IWP.....2	
7	31070GT	DECAL,DANGER,TIP-OVER HAZARD...1		40	97775GT	DECAL,INTERLOCK DISPLAY,IWP.....1 <i>(models with base-mounted level sensor)</i>	
8	31071GT	DECAL,WARNING,FAILURE TO READ.....1		41	40434GT	DECAL,LANYARD ANCHORAGE POINT.....1	
9	31073GT	DECAL,LABEL,FOOT PEDAL.....1		42	31076GT	DECAL,CAUTION,8A MAX.115V AC**....1	
10	31075GT	DECAL,CAUTION,CRUSHING HAZARD.....4					
11	31245GT	DECAL,WARNING,COLLISION HAZARD.....1					
12	37141GT	DECAL, NOTICE, MANUAL LOWERING.....1					
13	37143GT	DECAL,NOTICE, LOAD CAP 300.....1					
14	37144GT	DECAL, NOTICE, LOAD CAP 350.....1					
15	37145GT	DECAL, MANUAL LOWERING VALVE....1					
16	38116GT	DECAL,DANGER,OUTRCH SAFE/SETUP.....1					
17	38117GT	DECAL, LABEL, PWA OPER INST.....1					
18	38119GT	DECAL,NOTICE,OPER.INST.,IWP-S.....1					
19	38122GT	DECAL,LABEL, OM STORAGE.....1					
20	38142GT	DECAL, LABEL, CIRCUIT BREAKER.....1 <i>(AC models)</i>					
21	43657GT	DECAL,DANGER,TIP-OVER,OUTREACH.1					
22	48644GT	DECAL,LABEL,FUNCTN ENABL LEVER.....1					
23	48645GT	DECAL,DANGER,PWA SAFETY/SETUP.....1					
24	52996GT	DECAL,COSMETIC,GENIE LOGO.....2					
25	62045GT	DECAL,COSMETIC,GENIE IWP-25S.....2					
26	62046GT	DECAL,COSMETIC,GENIE IWP-30S.....2					
27	62996GT	DECAL,COSMETIC,GENIE IWP-20S.....2					
28	72086GT	DECAL,LABEL,LIFTING EYE.....1					
29	72844GT	DECAL,DANGER,GENERAL SAFE,IWP.....1					
30	80940GT	ASSY,SER # LABEL,POWERED/GR **.....1					
31	82366GT	DECAL, LABEL - CHEVRON RANDO....1					
32	82782GT	DECAL,INTERLOCK DISPLAY,IWP.....1 <i>(models with mast-mounted level sensor)</i>					



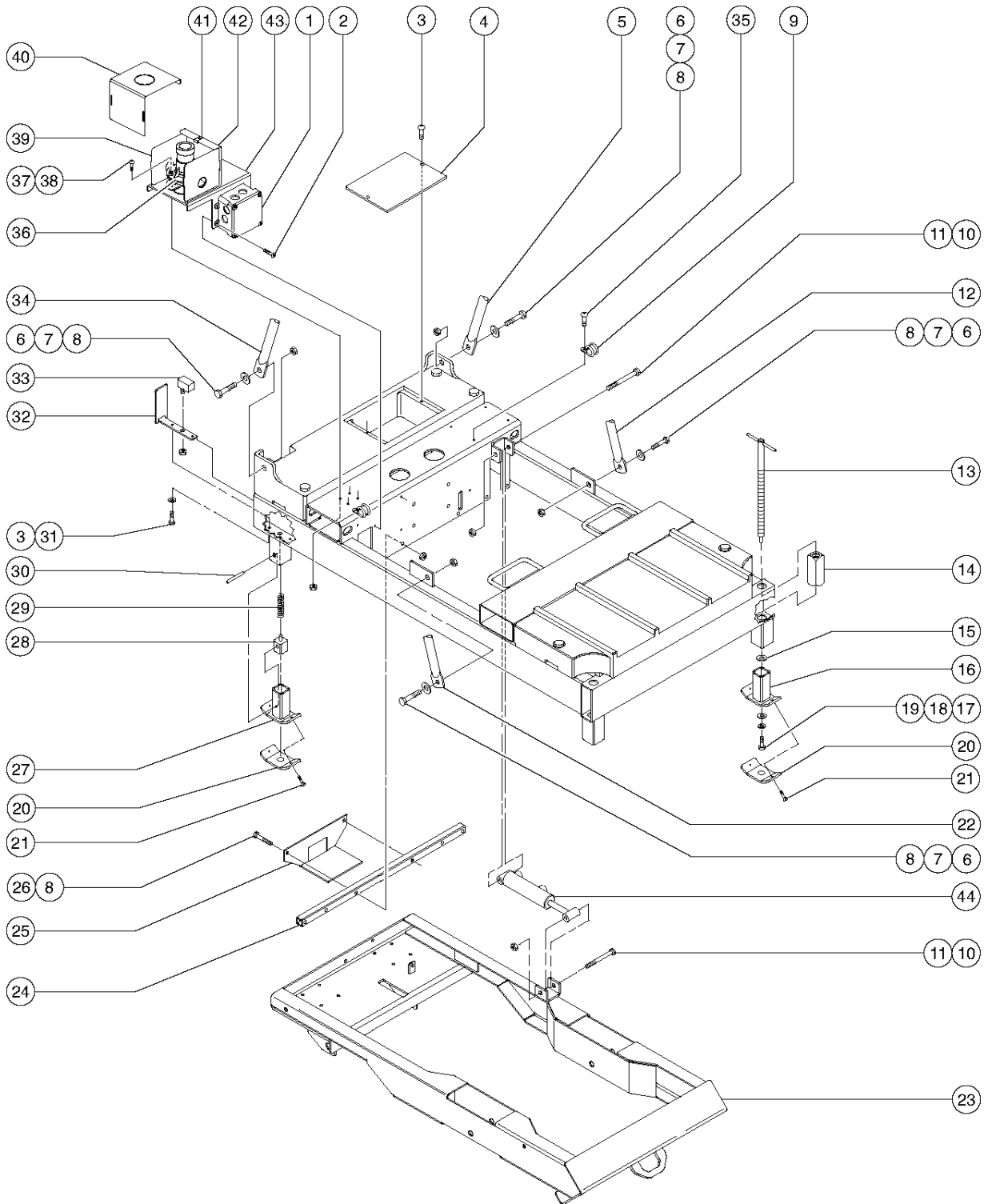
102.1 Decals with Symbols (from serial number IWP04-5498)



102.1 Decals with Symbols (from serial number IWP04-5498)

Item	Part No.	Description	Qty.
--	85475GT	DECAL KIT SFTY/INSTR IWPS,SYM (includes items 3, 7, 9-12, 15, and 18-22; from SN 5498)	
1	28174GT	DECAL, POWER TO PLATFORM 230V**.....	2
2	28235GT	DECAL,POWER TO PLATFORM 115V...2	
3	52996GT	DECAL,COSMETIC,GENIE LOGO.....2	
4	62045GT	DECAL,COSMETIC,GENIE IWP-25S....2	
5	62046GT	DECAL,COSMETIC,GENIE IWP-30S....2	
6	62996GT	DECAL,COSMETIC,GENIE IWP-20S....2	
7	72086GT	DECAL,LABEL,LIFTING EYE.....1	
8	80940GT	ASSY,SER # LABEL,POWERED/GR **.....	1
9	82475GT	DECAL,SYMBOL-FOOT CRUSHING....4	
10	82481GT	DECAL,SYMBOL-BATTERY SAFETY.....1	
11	82487GT	DECAL, SYMBOL - READ THE MANUAL.....	2
12	82614GT	DECAL,DANGER,COLLISION HAZARD.....	1
13	82782GT	DECAL,INTERLOCK DISPLAY,IWP.....1 (models with mast-mounted level sensor)	
14	82802GT	DECAL,LABEL,FUNCTION ENABLE....1	
15	82913GT	DECAL,DANGER, LOAD CAP 350.....1	
16	82914GT	DECAL,DANGER, LOAD CAP 300.....1	
17	82915GT	DECAL,LABEL,AUX LOWERING.....1	
18	82974GT	DECAL,WARNING,COLLISION HAZARD.....	1
19	82987GT	DECAL,DANGER,ELEC.HAZ.SYMB.....1	
20	97526GT	DECAL,LABEL,FOOT PAD LOAD IWP...4	
21	97527GT	DECAL,LABEL,WHEEL LOAD, IWP.....2	
22	97537GT	DECAL,DANGER,SIDE FRC/WIND,CE...1	
23	97538GT	DECAL,LABEL,FUNCTN ENABL LEVER.....	1
24	97775GT	DECAL,INTERLOCK DISPLAY,IWP.....1 (models with base-mounted level sensor)	
25	124221GT	DECAL,INPUT POWER,110VAC.....1	
26	133046GT	DECAL,INPUT POWER,230VAC.....1	
27	40434GT	DECAL,LANYARD ANCHORAGE POINT.....	1
28	82366GT	DECAL, LABEL - CHEVRON RANDO	

201.1 Base Assembly, Outer Frame



201.1 Base Assembly, Outer Frame

Item	Part No.	Description	Qty.	Item	Part No.	Description	Qty.
--	40452GT	OUTR FRAME ASSY,STD,IWP-20 <i>(ANSI, Australian and CE models) (without outreach) (includes counterweight and decals)</i>		2	21019GT	SCREW,PHIL,PHM,10-24 X.5,SEMS	
--	40453GT	OUTR FRAME ASSY,STD <i>IWP20S/25S (ANSI, Australian and CE model) (with outreach) (includes counterweight and decals)</i>		3	6090GT	SCREW,HHC,1/4-20 X .75	
--	40456GT	OUTR FRAME ASSY,WIDE,IWP20/25 <i>(ANSI, Australian and CE models) (includes counterweight and decals)</i>		4	38368GT	COVER,COUNTERWEIGHT,IWP.....1	
--	40455GT	OUTR FRAME ASSY,WIDE <i>IWP20S, CSA model and IWP30S ANSI, Australian and CE models (includes counterweight and decals)</i>		5	37363GT	BRACE,RH,REAR MAST.....1 <i>(standard base)</i>	
--	40457GT	OUTR FRAME ASSY,WIDE,IWP-25S <i>(CSA model) (includes counterweight and decals)</i>		5A	38493GT	BRACE,RH,REAR MAST,WIDE BASE <i>(wide base)</i>	
--	85362GT	OUTR FRAME ASSY,STD,IWP-20S <i>(USA and Australian models) (from SN 5498) (includes counterweight and decals)</i>		6	6019GT	SCREW,HHC,3/8-16 X 1.25 GRD 5	
--	85364GT	OUTR FRAME ASSY,STD,IWP-20S <i>IWP20S and IWP25S (USA and Australian models) (from SN 5498) (includes counterweight and decals) (with outreach)</i>		7	6097GT	WASHER,FLAT,USS,3/8",Y	
--	85245GT	OUTR FRAME ASSY,WIDE,IWP20/25 <i>(USA and Australian models) (from SN 5498) (includes counterweight and decals)</i>		8	4828GT	NUT,NYLOCK,3/8-16.....6	
--	85247GT	OUTR FRAME ASSY,WIDE,IWP20/30 <i>IWP20S Canadian and IWP30S USA model and Australian model (from SN 5498) (includes counterweight and decals)</i>		9	45470GT	CLAMP,0.31,#5 X 1/4,RUB CUSH.....3	
--	85249GT	OUTR FRAME ASSY,WIDE,IWP-25S <i>(Canadian models) (from SN 5498) (includes counterweight and decals)</i>		10	10598GT	SCREW,HHC,1/2-13 X 3 <i>(to SN 7417)</i>	
--	85363GT	OUTR FRAME ASSY,STD,IWP20S,SYM <i>(Asia, South America and European models) (from SN 5498) (includes counterweight and decals) (without outreach)</i>		10A	6732GT	SCREW,HHC,1/2-13 X 3.25 <i>(from SN 7418)</i>	
--	85365GT	OUTR FRAME ASSY,WIDE BASE <i>IWP20S/25S (Asia, South America and European models) (from SN 5498) (includes counterweight and decals) (with outreach)</i>		11	6086GT	NUT,LP NYLOCK,1/2-13.....3	
--	85246GT	OUTR FRAME ASSY,WIDE,IWP20/25 <i>(Asia, South America and European models) (from SN 5498) (includes counterweight and decals)</i>		12	37343GT	BRACE,RH,FRONT MAST.....1 <i>(to SN 6579) (standard base)</i>	
--	85248GT	OUTR FRAME ASSY,WIDE,IWP30 <i>(Asia, South America and European models) (from SN 5498) (includes counterweight and decals)</i>		12A	37343GT	BRACE,RH,FRONT MAST.....1 <i>(standard base)</i>	
1	38698GT	JUNCTION BOX.....1		12B	38491GT	BRACE,RH,FRONT MAST,WIDE BASE <i>(to SN 6579) (wide base; strut length 40.63 inches)</i>	
2	145348GT	SCREW,PHM,10-32 X .5,SEMS		12C	32424GT	MAST BRACE,R.H. <i>(from SN 6580) (wide base)</i>	
				13A	31270GT	LEVELING JACK ROD ASSY,IWP.....2 <i>to SN 8579</i>	
				13B	227351GT	KIT,SVC,OUTRIGGER,IWP <i>from SN 8580 to 8767</i>	
				13C	31270GT	LEVELING JACK ROD ASSY,IWP <i>from SN 8768</i>	
				14	29860GT	NUT,LEVELING JACK SCREW,IWP	
				15	6898GT	WASHER,SHIM,.625 X 1.188X.064	
				16	29969-SGT	FOOT PAD WELDMENT,FRONT.....2	
				17A	10107GT	SCREW,HHC,5/16-18 X .75 <i>to SN 8579</i>	
				17B	23057GT	SCREW,HHC,M8 X 20MM <i>from SN 8580 to 8767 (Note: Some leveling jack rods, item 13, have M8 metric threads. Use caution when installing this bolt.) (Note: If replacing the leveling jack rod, order replacement bolt 10107)</i>	
				17C	10107GT	SCREW,HHC,5/16-18 X .75 <i>from SN 8768</i>	
				18	6886GT	WASHER,LOCK,.313	
				19	5397GT	WASHER,FLAT,USS,5/16",Y	
				20	31199GT	FOOT PAD,NYLON,MOLDED.....4	
				21	23903GT	SCREW,FHS,1/4-20 X .5 BLACK <i>before January, 1998</i>	

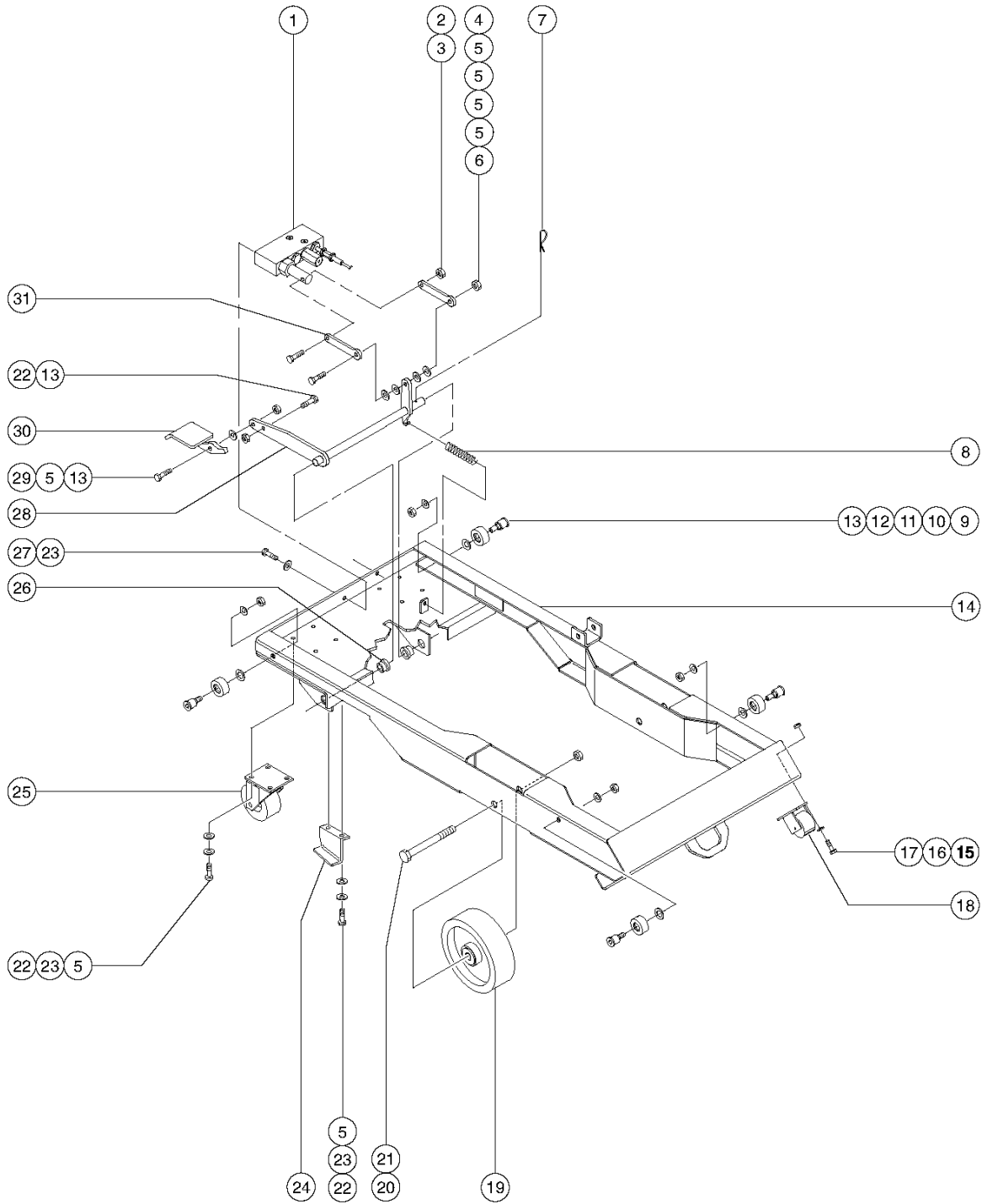


201.1 Base Assembly, Outer Frame
(continued)

Item	Part No.	Description	Qty.	Item	Part No.	Description	Qty.
21	6889GT	NUT,LP NYLOCK,1/4-20.....	8	41	56912GT	SPRING CLIP,1/4-20,.025-.15X.54,ZAG.....	2
21	8514GT	SCREW,FHS,1/4-20 X .75.....	8	42	100304GT	FORMING, SENSOR BOX BOTTOM.....	1
21A	6889GT	NUT,LP NYLOCK,1/4-20 <i>after December, 1997</i>		43	100305GT	FORMING, SENSOR MOUNT, SERVICE.....	1 <i>(to SN 5671)</i>
21A	8514GT	SCREW,FHS,1/4-20 X .75 <i>after December, 1997</i>		44	80953GT	CYLINDER,WHEEL LIFT, DY.....	1
22	37344GT	BRACE,LH,FRONT MAST..... <i>(to SN 6579) (standard base)</i>	1	--	40109GT	SEAL KIT,FOR 37351** TEXAS <i>for blue cylinder 37351</i>	
22A	37344GT	BRACE,LH,FRONT MAST..... <i>(standard base)</i>	1	--	80946GT	SEAL KIT, DONYANG CYL (80953) <i>for black cylinder 80953</i>	
22B	38492GT	BRACE,LH,FRONT MAST,WIDE BASE <i>(to SN 6579) (wide base; strut length 40.63 inches)</i>					
22C	32425GT	MAST BRACE,L.H. <i>(from SN 6580) (wide base) (strut length 41.13 inches)</i>					
23		Ref. Inner Base Frame <i>(refer to 202.1)</i>					
24	37278GT	TUBE,MAST MT. REINFORCE,STD.....	1				
25	46561PGT	PLATE,HYDR.COVER,IWP"BLUE".....	1				
26	5224GT	SCREW,HHC,3/8-16 X 2					
27	29970-SGT	FOOT PAD WELDMENT- REAR.....	2				
28	37429GT	SPRING HOLDER, POST SNSR,CWP...	2				
29	38623GT	SPRING,POST SENSOR,IWP/CWP.....	2				
30	14815GT	PIN,ROLL,SST,.25 X 2.25.....	2				
31	6356GT	WASHER,LOCK,.25					
32	37329-SGT	HOLDER,FOOT PAD SWITCH,"BLUE"...	2				
33	37761GT	SWITCH,PUSHBUTTON,BORE MOUNT.....	2 <i>(includes mounting fasteners)</i>				
34	37364GT	BRACE,LH,REAR MAST..... <i>(standard base)</i>	1				
34A	38494GT	BRACE,LH,REAR MAST,WIDE BASE <i>(wide base)</i>					
35	38979GT	SCREW,PHM,1/4-20X.5 PHIL					
36	107000GT	KIT,SRV,IWP LEVEL SENSOR..... <i>(to SN 5110) (includes items 37-43)</i>	1				
36A	107001GT	KIT,SRV,IWP LEVEL SENSOR <i>(from SN 5111 to SN 5497) (includes items 37-43)</i>					
36B	107027GT	KIT,SRV,IWP LEVEL SENSOR*** <i>(from SN 5498 to 5671) (includes items 37-43)</i>					
36C	100302GT	LVL SENSOR,LS60,WH,.5DEGX1.5DE <i>(from SN 5672)</i>					
37	6888GT	SCREW,HHC,1/4-20 X 1					
38	6091GT	NUT,NYLOCK,1/4-20.....	0				
39	100310GT	PLATE, SENSOR BOX SIDE.....	2				
40	100311GT	FORMING, SENSOR BOX COVER.....	1				

This Page Intentionally Left Blank

202.1 Base Assembly, Inner Frame

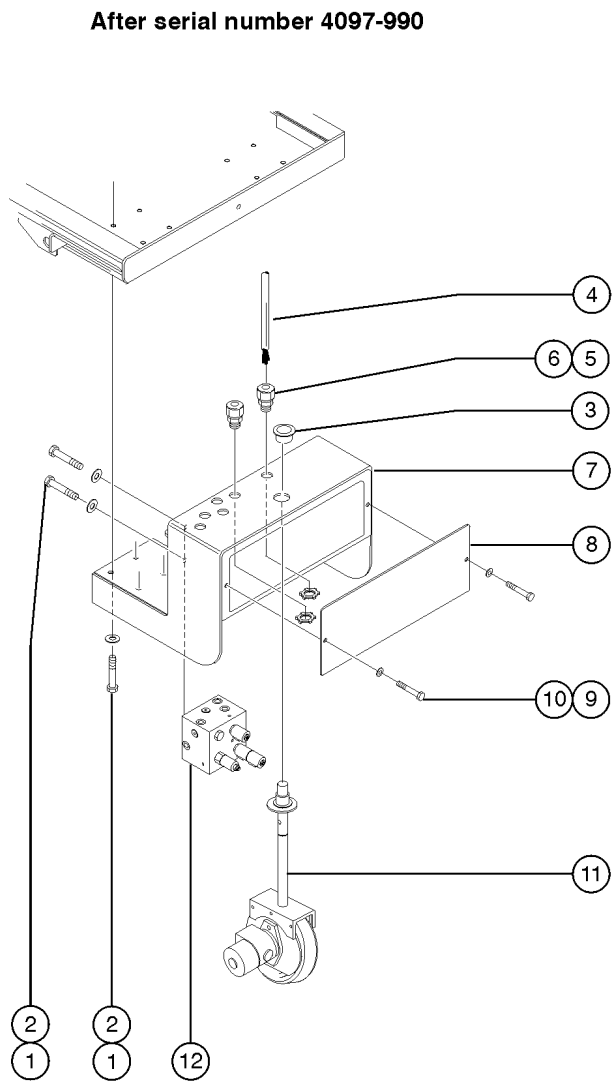
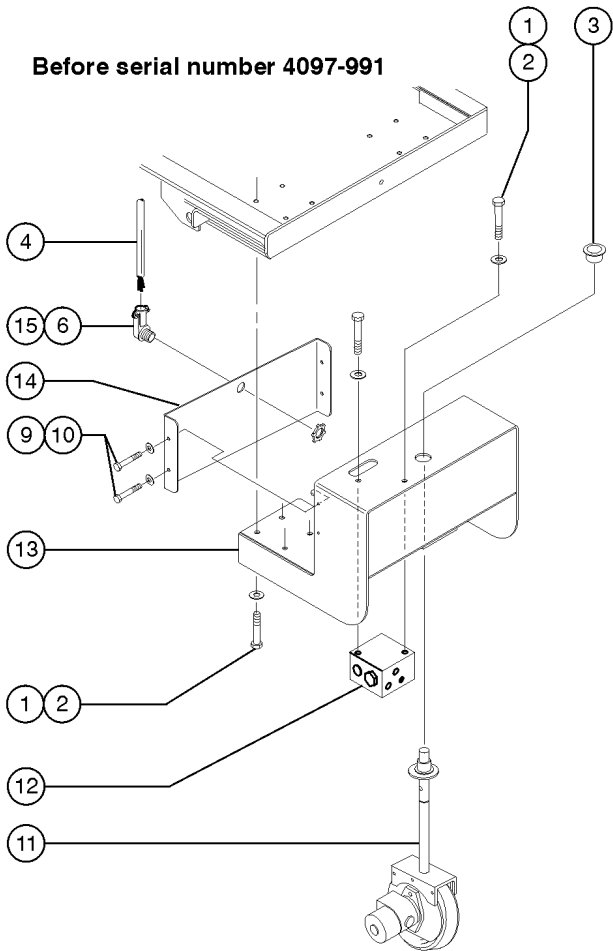


202.1 Base Assembly, Inner Frame

Item	Part No.	Description	Qty.	Item	Part No.	Description	Qty.
1		Ref. Foot Pump Manifold <i>(refer to 601.1)</i>		25A	124130GT	CASTER PL,SW,5X2, 1000 LBS <i>(from SN 4000-3161) (molded black plastic)</i> <i>(same fit and function as 29988)</i>	
2	6889GT	NUT,LP NYLOCK,1/4-20		26	29975GT	BUSHING 0.75 ID.....	2
3	5311GT	SCREW,SHS,1/4-20 X 1.25		27	8255GT	SCREW,HHC,3/8-16 X .75	
4	6002GT	NUT,LP NYLOCK,5/16-18		28	37282GT	FOOT PEDAL ARM WELDMNT IWP....1 <i>(standard base)</i>	
5	6097GT	WASHER,FLAT,USS,3/8",Y		28A	37298GT	FOOT PEDAL ARM WELD,WIDE BASE	
6	34732GT	SCREW,SHS,5/16-18 X 1.25(3/8)		29	6019GT	SCREW,HHC,3/8-16 X 1.25 GRD 5	
7	5135GT	CLIP,HAIR PIN .094 X 2.5		30	46300GT	FOOT PEDAL W/NON SKID, STD ***	1
8	40605GT	SPRING,EXTENSION,.687X4X.105.....	1	31	37313GT	PLATE,PUMP LINKAGE, "ZINC".....	2
9	38975GT	BOLT,ROLLER,.720"(LONG).....	4				
10	80938GT	WHEEL, NYLON ROLLER.....	4				
11	13066GT	WASHER,FLAT,.5 HARDENED <i>(replaced 8519)</i>					
12	5397GT	WASHER,FLAT,USS,5/16",Y					
13	4828GT	NUT,NYLOCK,3/8-16					
14	107063GT	INNER FRAME ASSY,STD,IWP,WRD.....1 <i>(ANSI, CE) (to SN IWP04-5497)</i>					
--	107063GT	INNER FRAME ASSY,STD,IWP,WRD <i>(USA, Australian models) (from SN IWP04-5498)</i>					
14A	85279GT	INNER FRAME,ASY,STD,IWPSS,SYM <i>(Asia, South America, Europe) (from SN IWP04-5498)</i>					
14B	107064GT	INNER FRAME ASSY,WIDE,IWP,WRD.....1 <i>(ANSI, CE) (to SN IWP04-5497)</i>					
--	107064GT	INNER FRAME ASSY,WIDE,IWP,WRD <i>(USA, Australian models) (from SN IWP04-5498)</i>					
14C	85280GT	INNER FRAME ASY,WIDE,SYMB,IWP <i>(Asia, South America, Europe) (from IWP04-5498)</i>					
15	10107GT	SCREW,HHC,5/16-18 X .75					
16	6638GT	WASHER,FLAT,USS,1/4"Y					
17	6782GT	NUT,NYLOCK,5/16-18					
18	37350GT	CASTER,BUMP.....	2				
19	69595GT	WHEEL,PERFORMANCE,10X2.5X.75**..	2				
19A	57098GT	BUSHNG,SPANNER,.75X1.00X3.5 LG					
20	10006GT	SCREW,HHC,3/4-10 X 5					
21	10258GT	NUT,NYLOCK,3/4-10,GRD.2					
22	6175GT	SCREW,HHC,3/8-16 X 1					
23	6021GT	WASHER,LOCK,.375					
24	40096GT	PLATE,FOOT PEDAL STOP.....	1				
25	29988GT	CASTER 5" W/ROLLER BEARING.....2 <i>(to SN 4000-3160) (casting wheel under the dark red poly coating) (same fit and function as 124130)</i>					



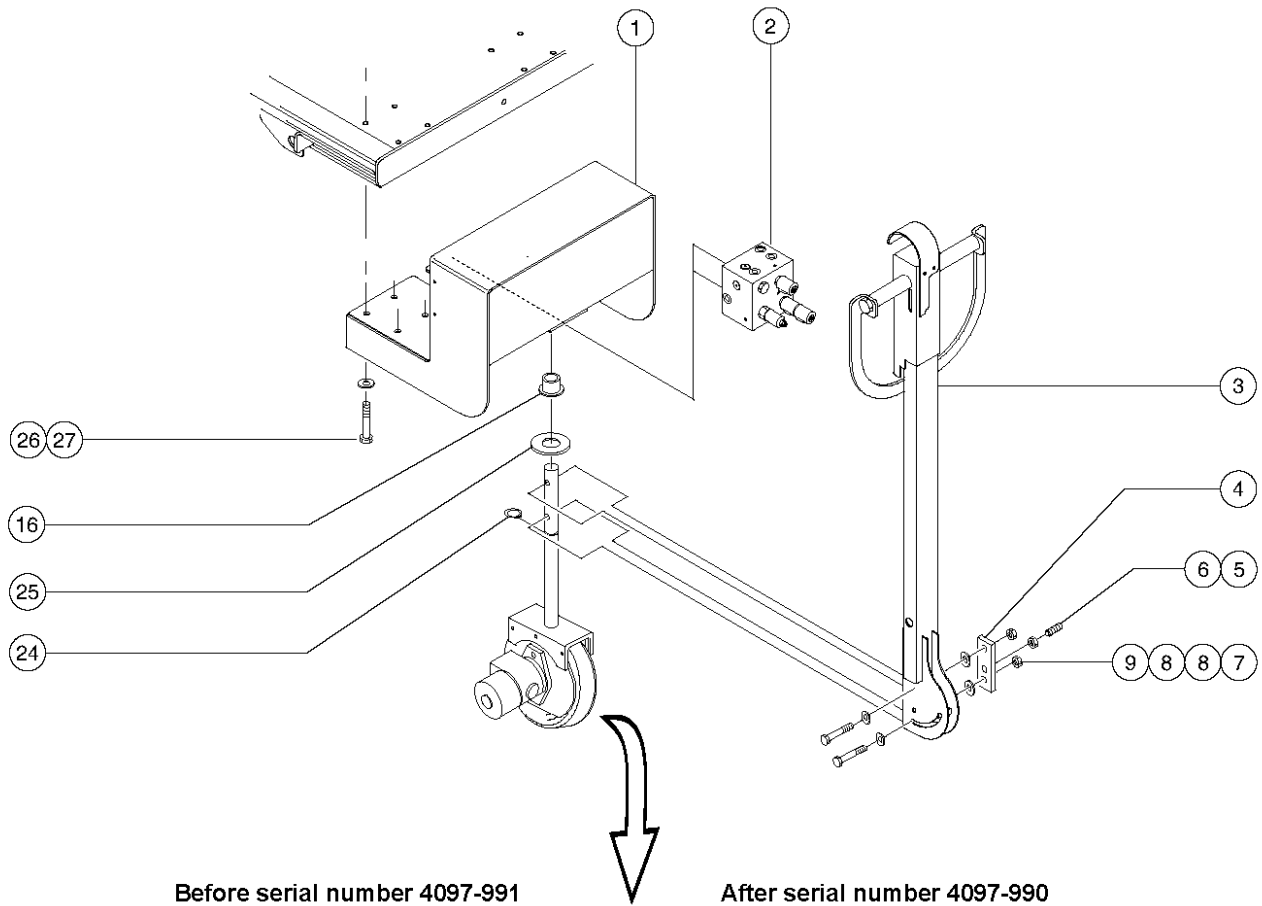
203.1 Power Wheel Assist Option, Wheel Pivot Mount



203.1 Power Wheel Assist Option, Wheel Pivot Mount

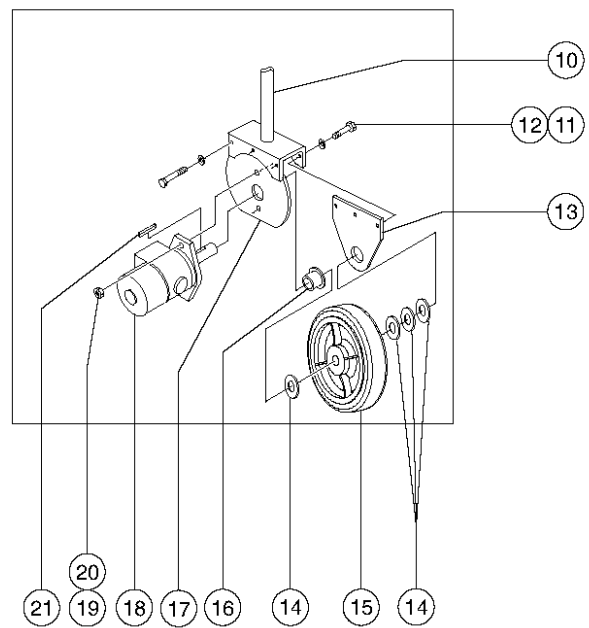
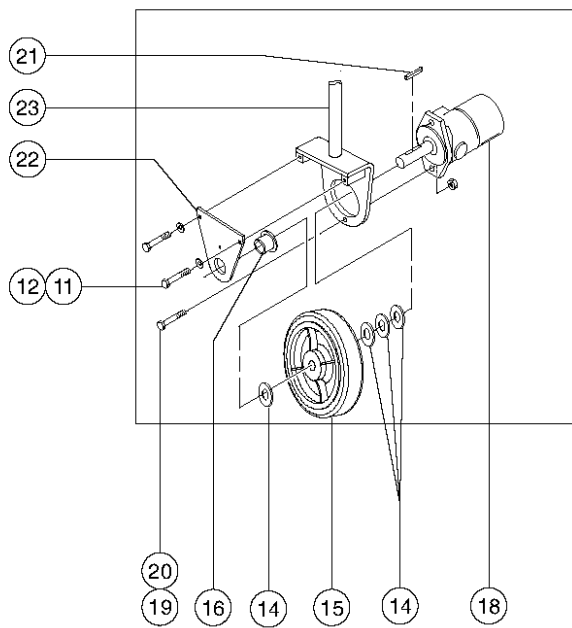
Item	Part No.	Description	Qty.
1	8255GT	SCREW,HHC,3/8-16 X .75	
2	6021GT	WASHER,LOCK,.375	
3	37751GT	BUSHING,BRONZE,1 X 1.375 X .75.....1	
4		Ref. Cable Assembly, Manifold to Steer Handle <i>refer to 205.1</i>	
5	33576GT	CONN,SQZ,BLK,1/2NPT,.38-.50,SM.....2	
6	6935GT	LOCKNUT,ELEC,1/2".....2	
7	43929GT	WELDMNT,POWER WHEEL MOUNT***.....1 <i>(from SN 4097-991 to 4099-2532)</i>	
7A	43929GT	WELDMNT,POWER WHEEL MOUNT***.....1 <i>from SN 4097-991 to 4099-2532</i>	
7A	57200GT	WELDMNT,PWA MOUNT,IWP*** <i>from SN 4099-2533 to 9649</i>	
7B	57200GT	WELDMNT,PWA MOUNT,IWP*** <i>from SN 4099-2533</i>	
7B	825155GT	WELDMNT, POWER WHEEL ASSEMBLY <i>from SN IWP15-9650</i>	
8	43770GT	PLATE,POWER MOUNT COVER**.....1 <i>from SN 4097-991</i>	
9	6090GT	SCREW,HHC,1/4-20 X .75	
10	6356GT	WASHER,LOCK,.25	
11		Ref. Wheel Pivot <i>refer to figure 204.1</i>	
12		Ref. Manifold Assembly <i>refer to figure 604.1</i>	
13	38244GT	WELDMNT,MOUNT,POWER DRIVE,IWP*.....1 <i>(to SN 4097-990)</i>	
14	38252PGT	COVER,POWER DRIVE,IWP,"BLUE".....1 <i>(to SN 4097-990)</i>	
15	14539GT	CONN. GRND.1/2",90DEG.SM.WIRE.....1 <i>(to SN 4097-990)</i>	

204.1 Power Wheel Assist Option, Wheel Pivot



Before serial number 4097-991

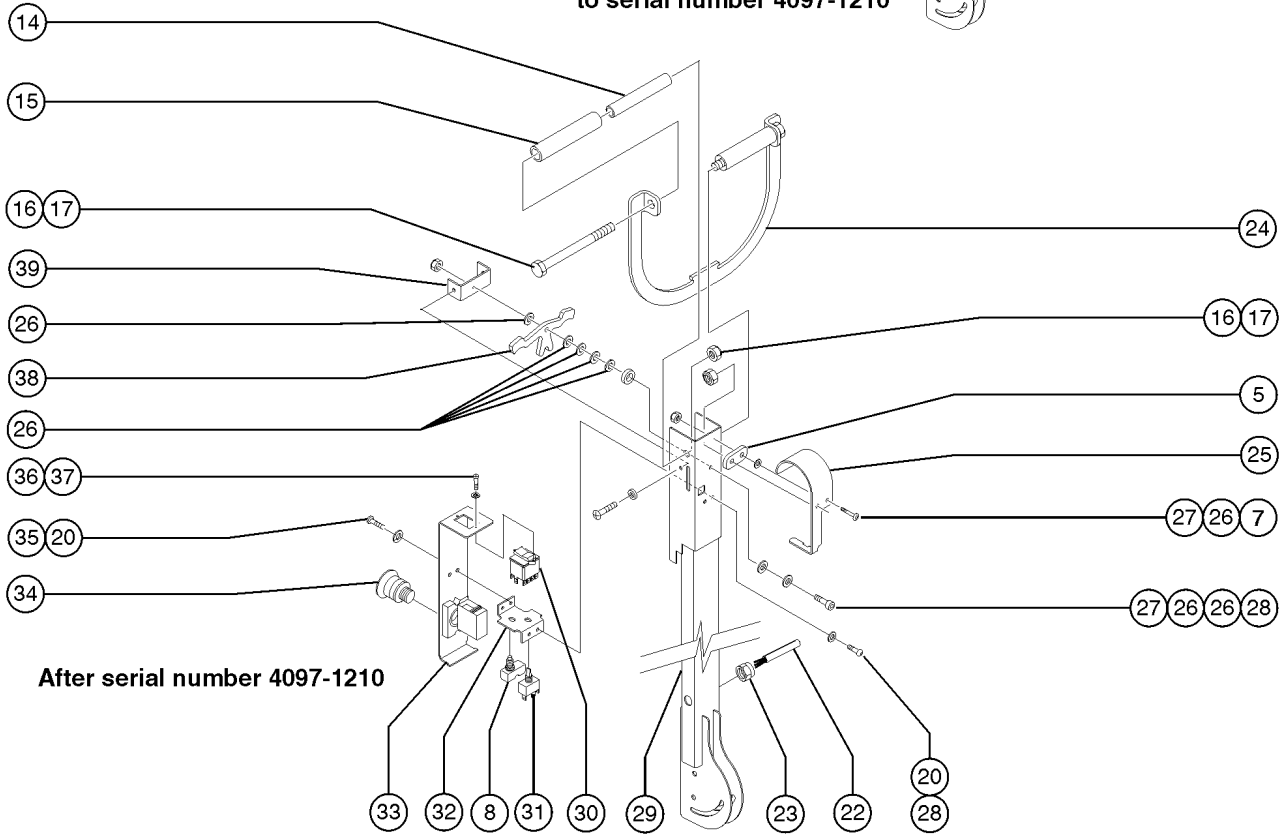
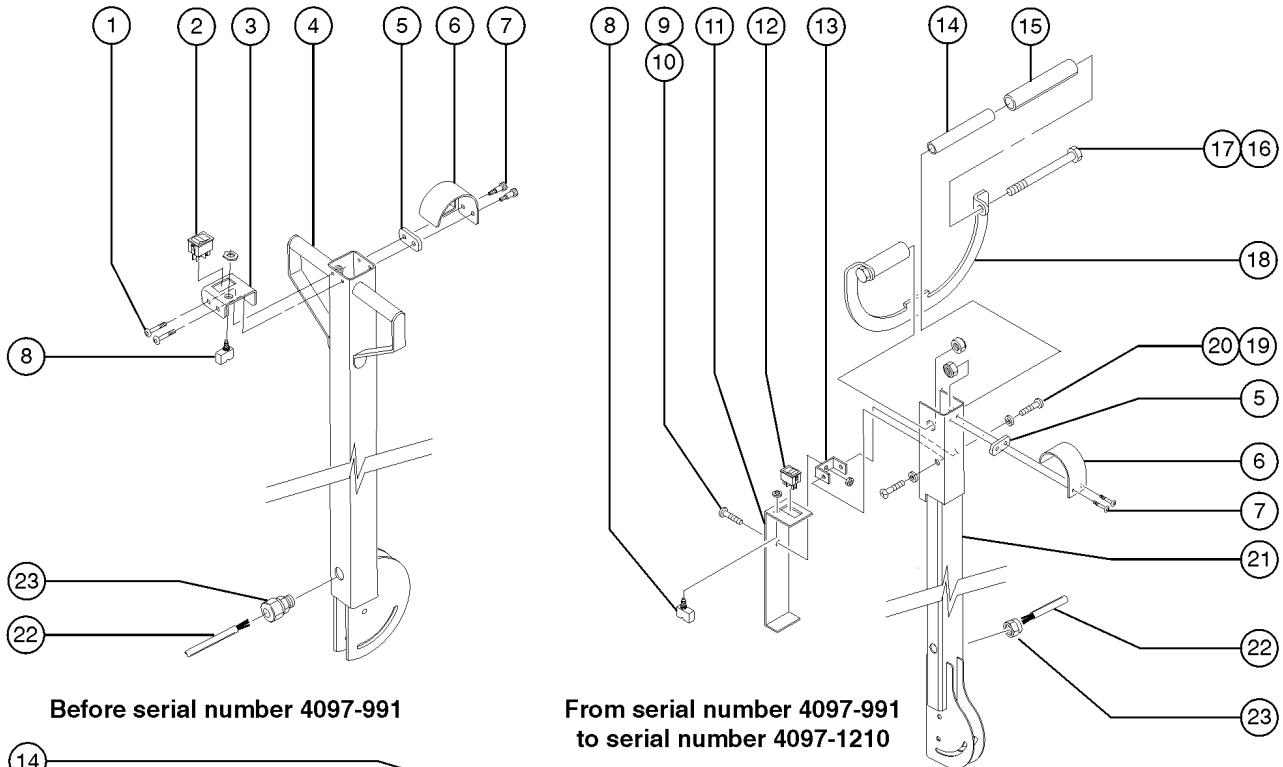
After serial number 4097-990



204.1 Power Wheel Assist Option, Wheel Pivot

Item	Part No.	Description	Qty.
1		Ref. Wheel Pivot Mount <i>(refer to 203.1)</i>	
2		Ref. Manifold Assembly <i>(refer to 604.1)</i>	
3		Ref. Steer Handle <i>(refer to 205.1)</i>	
4	40389PGT	PLATE,HANDLE LOCK,PAINTED.....1	
5	24085GT	SPRING PLUNGER.....1	
6	6886GT	WASHER,LOCK, .313	
7	4828GT	NUT,NYLOCK,3/8-16	
8	6097GT	WASHER,FLAT,USS,3/8",Y	
9	14033GT	SCREW,HHC,3/8-16 X 2.75	
10	44292-SGT	WELDMENT,WHEEL PIVOT-IWP.....1 <i>(from SN 4097-991)</i>	
11	10107GT	SCREW,HHC,5/16-18 X .75	
12	6886GT	WASHER,LOCK, .313	
13	43833-SGT	PLATE,BEARING MOUNT IWP.....1 <i>(from SN 4097-991)</i>	
14	30748GT	WASHER,SHIM,1.01 X 1.63 X .062	
15	69594GT	WHEEL,8 X 2,1" KEYED HOLE.....1 <i>also order Qty 1 p/n 227145</i>	
16	37751GT	BUSHING,BRONZE,1 X 1.375 X .75	
17	43834GT	PLATE,HYD.MOTOR MOUNT.....1 <i>(from SN 4097-991)</i>	
18	37754GT	MOTOR,HYDRAULIC,DC,POWER DRIVE.....1	
--	65616GT	SEAL KIT PWR WHL MOTOR	
19	22788GT	SCREW,HHC,1/2-13 X 1.75.....2	
19	6090GT	SCREW,HHC,1/4-20 X .75	
20	6198GT	NUT,NYLOCK,1/2-13	
21A	40503GT	KEY-DRIVE MOTOR SHAF, 1/4".....1 <i>(to SN 8632)</i>	
21B	227145GT	KEY,DRIVE MOTOR SHAFT,1/4" <i>(from SN 8633)</i>	
22	37441GT	PLATE,WHEEL BEARING MOUNT.....1 <i>(to SN 4097-990)</i>	
23	46613GT	WHEEL PIVOT KIT,PWR DRIVE, IWP...1 <i>(to SN 4097-990) (includes items 10-13 and 17)</i>	
24	44662GT	SNAP RING,EXTERNAL,1.00 DIA.	
25	45074GT	WASHER,THRUST,1.5 X 3.5 X .187	
26	6175GT	SCREW,HHC,3/8-16 X 1	
27	6021GT	WASHER,LOCK, .375	

205.1 Power Wheel Assist Option, Steer Handle



205.1 Power Wheel Assist Option, Steer Handle

Item	Part No.	Description	Qty.	Item	Part No.	Description	Qty.
A	823075GT	HARNESS, WIRE-INTERLOCK <i>with connector</i>		12	44338GT	SWITCH,SEALED ROCKER, 6 TERM....1 <i>(from SN 4097-991 to 4097-1210)</i>	
B	1278538GT	HARNESS,CONT. DIODE,IWP PWA <i>from 'contactor harness' to 'manifold-to-handle harness'</i>		13	46018PGT	BRACKET,BOX.....1 <i>(from SN 4097-991 to 4097-1210)) (fits a 7.25 inch handguard)</i>	
C	1278539GT	HARNESS,DWN VLV DIODE,IWP PWA <i>from 'jbox-to-manifold harness' to 'manifold-to-handle harness'</i>		13A	107029GT	BRACKET, STEER HANDLE CVR,PWA <i>(from SN 4097-991 to 4097-1210)) (fits a 9.75 inch handguard)</i>	
D	1278540GT	HARNESS,FUSE HOLDER, IWP PWA		14	35464418-SGT	TUBE,RD,ALUM .75 X .11 X 4.18.....2 <i>(from SN 4097-991)</i>	
--	80711GT	FUSE,7.5 AMP,ATC <i>for 1278540</i>		15	44327GT	HANDLE GRIP,625IDX4.25.....2 <i>(from SN 4097-991)</i>	
--		The steer handle (items 21 and 29) for units with 7.29 and 9.25 inch hand guards (items 18 and 24) is not available as a replacement part. The steer handle kit (85477 or 85478) fits a 9.75 inch hand guard. <i>If replacing the steer handle for the first time for units with 7.29 and 9.25 inch hand guard (from 4097-991 to 4099-2198), a 9.75 inch hand guard (85368 or 49009-S) must also be ordered.</i>		16	12461GT	SCREW,HHC,1/2-13 X 5,GRD.8.....2 <i>(from SN 4097-991)</i>	
1	21018GT	SCREW,PHIL,PHM,10-24 X.38,SEMS <i>(to SN 4097-990)</i>		17	6086GT	NUT,LP NYLOCK,1/2-13 <i>(from SN 4097-991)</i>	
2		SWITCH,ROCKER,DPDT,6 TERMINAL*1 <i>(to SN 4097-990) (component no longer available)</i>		18	107054GT	HAND GUARD ASSY,-7.29 IN, PWA.....1 <i>(from SN 4097-991 to 4097-1210) (includes items 14-17)</i>	
2A	48614GT	SWITCH,ROCKR,4PDT,12 TERMINAL <i>(to SN 4097-990)</i>		--	44324GT	FORMING,HAND GUARD** <i>(from SN 4097-991 to 4097-1210)</i>	
3	40217PGT	SWITCH MT,STEER.HANDLE,PAINTED.....1 <i>(to SN 4097-990)</i>		19	6888GT	SCREW,HHC,1/4-20 X 1 <i>(from SN 4097-991 to 4097-1210)</i>	
4	38495GT	WELDMENT,HANDLE,PWR WHEEL,IWP1 <i>(to SN 4097-990)</i>		20	6356GT	WASHER,LOCK,.25 <i>(from SN 4097-991 to 4097-1210)</i>	
5	40207GT	SWITCH CUSHION.....1		21	85477GT	STEER HANDLE KIT,PWA-IWP***1 <i>(from SN 4097-991 to 4097-1210) (fits a 9.75 -inch handguard); includes items 9-11, 13, 19, 20 and PN 85490 in item 29)</i>	
6	40572GT	COVER-REVERSE SWITCH W/ DECL**1 <i>(to SN 4097-1210)</i>		22	40752GT	CABLE ASSY,IWP PWR ASS.HANDLE*1 <i>(to SN 4097-990)</i>	
7	17017GT	SCREW,SHS,10-24 X .38		22A	43963GT	CABLE ASSY,HANDLE IWP W/PWR ** <i>(from SN 4097-991 to 4098-1749)</i>	
8	37761GT	SWITCH,PUSHBUTTON,BORE MOUNT1		22B	46089GT	HARNESS,MANIFOLD TO HANDLE,IWP <i>(from SN 4098-1750)</i>	
9	6878GT	BOLT,CARRIAGE,1/4-20 X .75,G2 <i>(from SN 4097-991 to 4097-1210)</i>		23	33576GT	CONN,SQZ,BLK,1/2NPT,.38-.50,SM.....1	
10	6091GT	NUT,NYLOCK,1/4-20 <i>(from SN 4097-991 to 4097-1210)</i>		24	85367GT	HAND GUARD ASSY, 10.75" PWA.....1 <i>(from SN 4097-1211 to SN 4099-2198) (includes items 14-17)</i>	
11	44326GT	FORMING,UPPER BOX W/PWA**1 <i>(from SN 4097-991 to 4097-1210) (fits a 7.25 inch handguard)</i>		--	69281GT	HAND GUARD,STEER HAND(49009A** <i>(from SN 4097-1211 to SN 4099-2198)</i>	
11A	85479GT	FORMING,STEER HNDLE CVR,PWA <i>(from SN 4097-991 to 4097-1210) (fits a 9.75 inch handguard)</i>		24A	85368GT	HAND GUARD ASSY, 9.25" PWA <i>(from SN 4099-2198) (includes items 14-17)</i>	
				--	49009-SGT	FORMING,HAND GUARD,PWA,CWP** <i>(from SN 4099-2198)</i>	
				25	69271GT	COVER,DIR.,REVERS,SWITCH**1 <i>(from SN 4097-1211)</i>	
				26	20980GT	WASHER,NYLON,.434 X.263X.049 <i>(from SN 4097-1211)</i>	
				27	5365GT	NUT,NYLOCK,10-24 <i>(from SN 4097-1211)</i>	



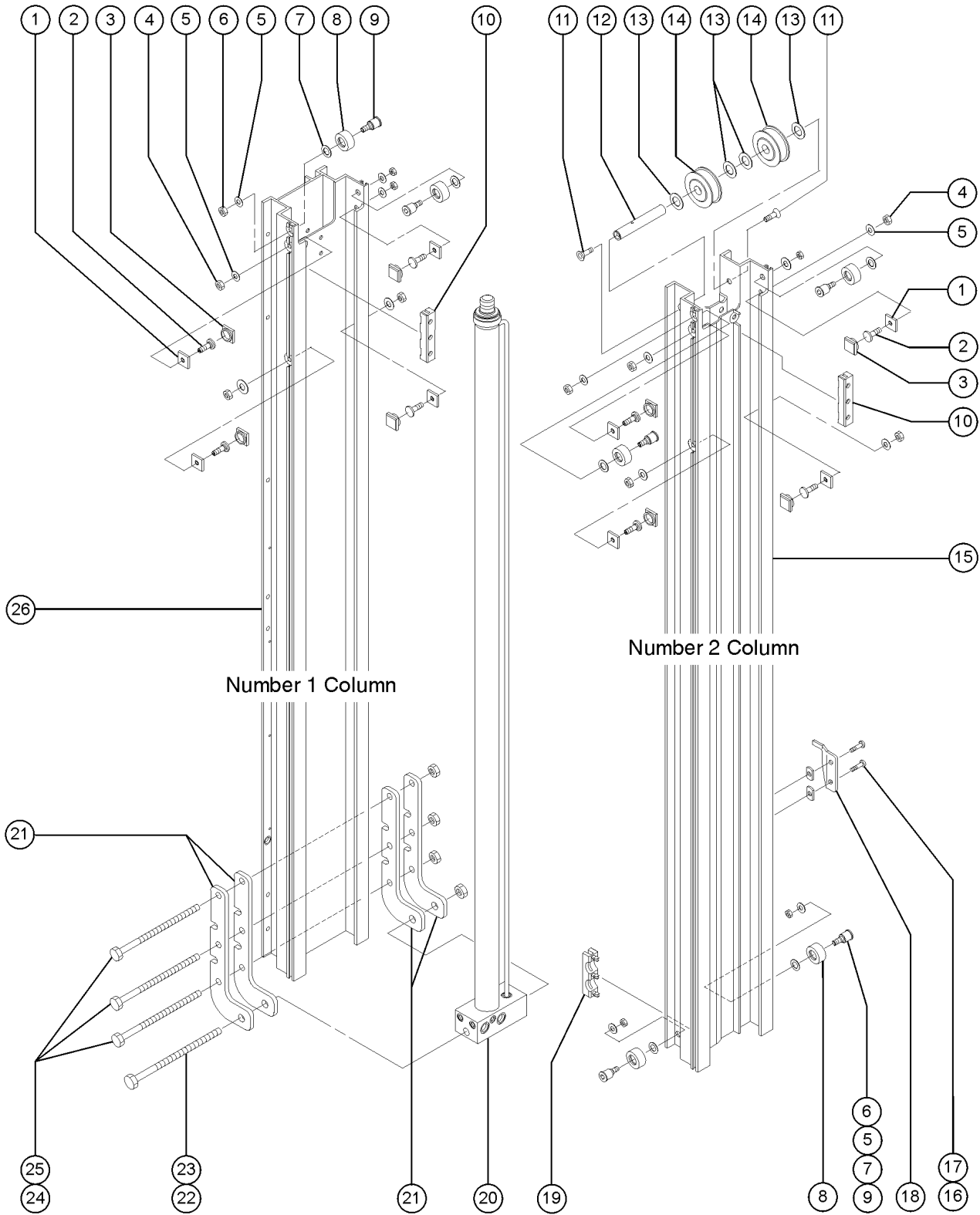
205.1 Power Wheel Assist Option, Steer Handle (continued)

Item	Part No.	Description	Qty.
28	5115GT	SCREW,SHS,10-24 X 1 <i>(from SN 4097-1211)</i>	
29	85478GT	STEER HANDLE KIT,PWA-IWP***1 <i>(from SN 4097-1211 to 4099-2198)</i> <i>(includes part number 85490 and part number 49011-S in item 33; fits 9.75" hand guard)</i>	
--	42492GT	PLUG,NYLON 1.032 BLACK DOMED <i>(from SN 4097-1211 to 4099-2198)</i>	
29A	85490GT	STEER HANDLE ASSY W/WORDS,PWA.....1 <i>(from SN 4099-2199)</i>	
29B	85492GT	STEER HANDLE ASSY W/ SYMBL,PWA <i>(from SN IWP04-5497)</i>	
30	48614GT	SWITCH,ROCKR,4PDT,12 TERMINAL...1 <i>(from SN 4097-1211)</i>	
31		SWITCH,TOGGLE,SPDT***1 <i>(direct replacement for 96418)</i>	
31	T114691GT	ASSY,SWITCH,TOGGLE,SPDT*****1 <i>(direct replacement for 96418)</i>	
32	46681GT	BRACKET,SWITCHES,REAR WHL,CW**1 <i>(from SN 4097-1211)</i>	
33	69286GT	SWITCH MOUNT,STEER HDL(49011A*1 <i>(from SN 4097-1211) (fits a 9.25 -inch handguard)</i>	
33A	49011-SGT	SWITCH MOUNT,STEER HANDL,PWA** <i>(from SN 4097-1211) (fits a 9.75 -inch handguard)</i>	
34	124641GT	KIT,ESTOP, A/IWP/DPL.....1 <i>(to SN IWP02-4300) (this is an update kit which contains the components listed below; the original E-Stop button is no longer available. If this kit has already been installed on unit, components may be ordered individually)</i>	
--	66812GT	BUTTON,PUSH,RED MUSHROOM HEAD	
--	66817GT	BASE WITH 1 NC CONTACT, E-STOP	
--	66818GT	CONTACT,NC	
--	66821GT	BASE,WITHOUT CONTACTS.....1	
35	38968GT	SEE 11968, 1/4-20 X 1 <i>(from SN 4097-1211)</i>	
36	12346GT	10 X .5 FLT TS SCREW <i>(from SN 4097-1211)</i>	
37	11806GT	WASHER,LOCK,#6 <i>(from SN 4097-1211)</i>	
38	49006GT	HANDLE,ENABLE,PWA,IWP/CWP1 <i>(from SN 4097-1211)</i>	
39	48430GT	BRACKET,ENABLE HANDLE,PW,CWP.....1 <i>(from SN 4097-1211)</i>	

205.1 Power Wheel Assist Option, Steer Handle
(continued)

This Page Intentionally Left Blank

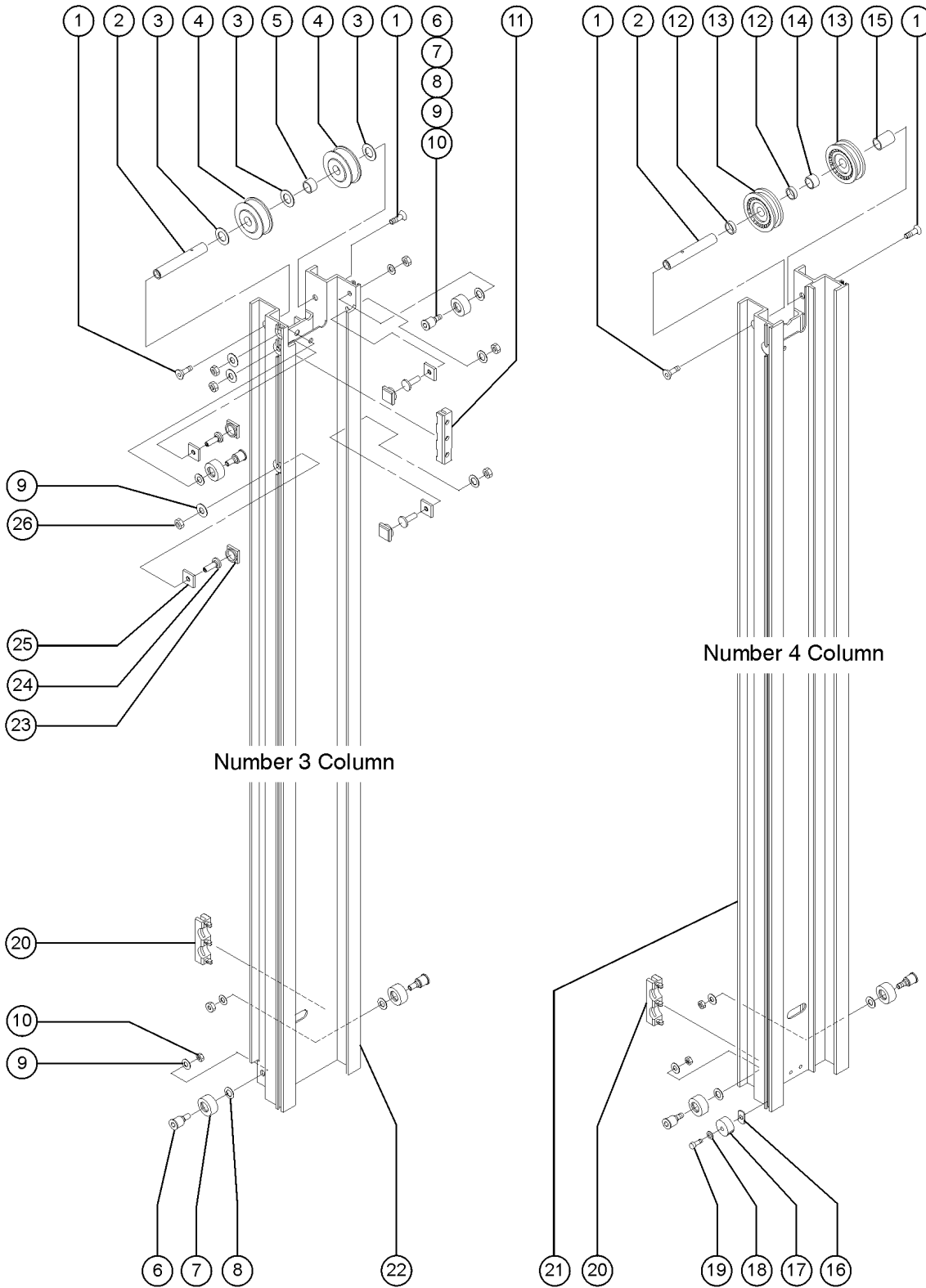
301.1 Number 1 and 2 Column Assemblies, all Models



301.1 Number 1 and 2 Column Assemblies, all Models

Item	Part No.	Description	Qty.
--	90337GT	BOE LUBE.....1 <i>lubricant</i>	
1	38013GT	SHIM NUT,ADJUSTER.....8	
2	40946GT	BOLT,SHIM.....8	
3	38011GT	SHIM,SIDE PAD.....8	
4	6022GT	NUT,HEX,3/8-16	
5	6097GT	WASHER,FLAT,USS,3/8",Y	
6	7713GT	NUT, LP NYLOCK, 3/8-16	
7	6052GT	WASHER,SHIM,.5 X .875 X .063	
8	38016GT	ROLLER,PLASTIC,AWP96**.....6	
9	35706GT	BOLT,ROLLER,.470"(SHORT).....6	
10	35709GT	BLOCK,SLIDE,UPPER.....2	
11	45425GT	SCREW,FHS,3/8-16 X .75	
12	35707GT	SHAFT,LIFTING CHAINS,20MM DIA.....1	
13	38709GT	WASHER,SHIM,.938 X 1.37 X .048	
14	38447GT	PULLEY W/BEARINGS.....2 <i>(large, 3 inch)</i>	
15	35757GT	COLUMN, 72.5"SS (#2).....1 <i>(column 2)</i>	
16	7339GT	SCREW, HHC, 1/4-20 X .5	
17	35991GT	NUT,WELD 1/4-20, PLATED L.L.**	
18	37284PGT	PLATE,CABLE STRIKER IWP.....1	
19	35710GT	BLOCK,SLIDE,LOWER.....1	
20		Ref. Lift Cylinder <i>(refer to 602.1)</i>	
21	35727PGT	PLATE,CYLINDER MOUNT,PAINTED....4	
22	1268235GT	SCREW,HHC,5/8-11 X 8.00	
23	38028GT	NUT,LP NYLOCK,5/8-11	
24	38601GT	SCREW,HHC,1/2-13 X 7.5	
25	6086GT	NUT,LP NYLOCK,1/2-13.....3	
26	40478GT	COLUMN ASSY, 72.5"SS (#1).....1 <i>(column 1)</i>	

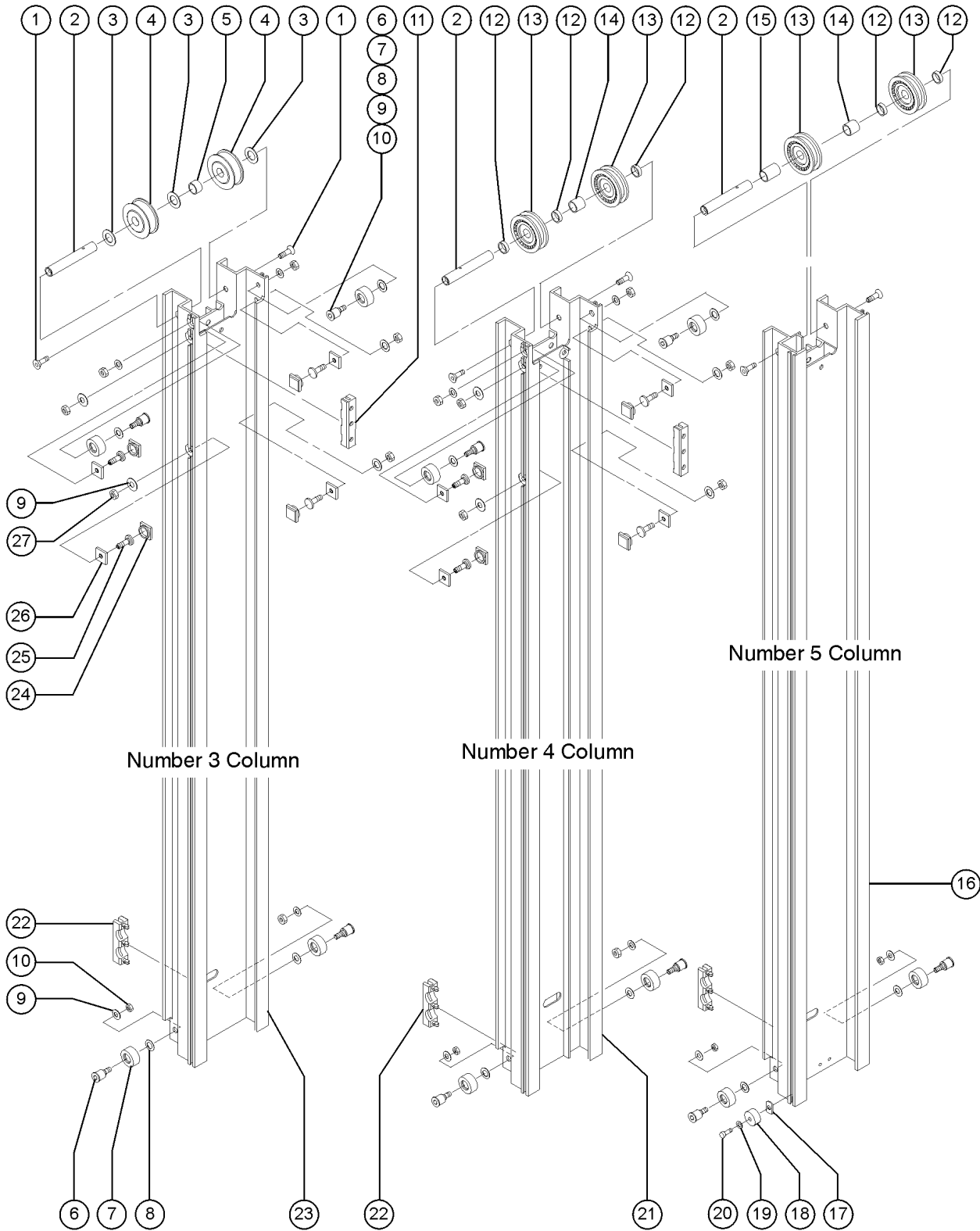
302.1 Number 3 and 4 Column Assemblies, IWP-20S



302.1 Number 3 and 4 Column Assemblies, IWP-20S

Item	Part No.	Description	Qty.
1	45425GT	SCREW,FHS,3/8-16 X .75	
2	35707GT	SHAFT,LIFTING CHAINS,20MM DIA.....2	
3	38709GT	WASHER,SHIM,.938 X 1.37 X .048	
4	38447GT	PULLEY W/BEARINGS.....2 <i>(large chain, 3 inches)</i>	
5	38316GT	SPACER,.560 AWP MAST.....1	
6	35706GT	BOLT,ROLLER,.470"(SHORT).....6	
7	80938GT	WHEEL, NYLON ROLLER.....6	
8	6052GT	WASHER,SHIM,.5 X .875 X .063	
9	6097GT	WASHER,FLAT,USS,3/8",Y	
10	7713GT	NUT, LP NYLOCK, 3/8-16	
11	35709GT	BLOCK,SLIDE,UPPER.....1	
12	35722GT	SPACER,SHAFT,.310.....2	
13	35715GT	PULLEY,SMALL CHAIN.....2 <i>(small chain, 3.5 inches)</i>	
14	35711GT	SPACER,SHAFT,.840"LG.....1	
15	37686GT	SPACER,SHAFT,1.400.....1	
16	35991GT	NUT,WELD 1/4-20, PLATED L.L.**	
17	38983GT	BUMPER,MAST,RH.....1	
18	6638GT	WASHER,FLAT,USS,1/4"Y	
19	6090GT	SCREW,HHC,1/4-20 X .75	
20	35710GT	BLOCK,SLIDE,LOWER.....2	
21	35761GT	COLUMN, 72.5"SS (#4 OR #6)*** <i>(column 4)</i>	
22	35758GT	COLUMN, 72.5"SS (#3 OR #5)*** <i>(column 3)</i>	
23	38011GT	SHIM,SIDE PAD.....4	
24	40946GT	BOLT,SHIM.....4	
25	38013GT	SHIM NUT,ADJUSTER	
26	6022GT	NUT,HEX,3/8-16	

303.1 Number 3, 4 and 5 Column Assemblies, IWP-25S



Number 3 Column

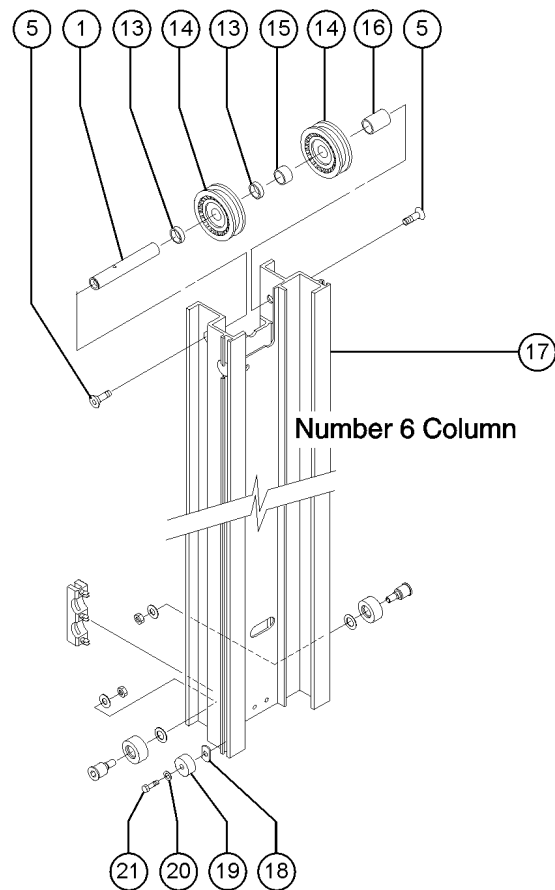
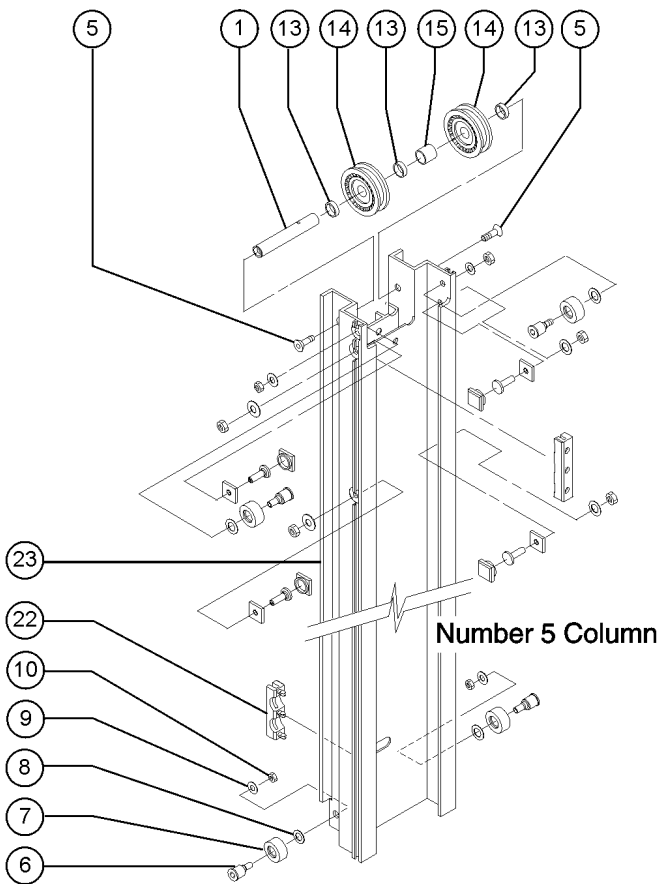
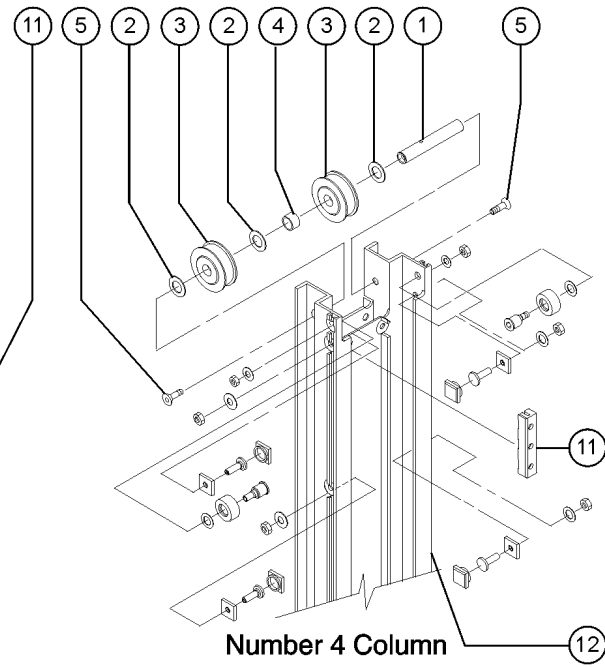
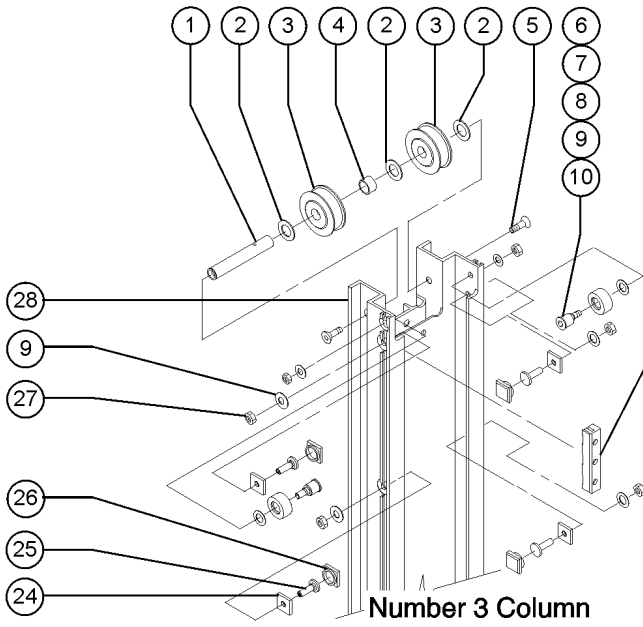
Number 4 Column

Number 5 Column

303.1 Number 3, 4 and 5 Column Assemblies, IWP-25S

Item	Part No.	Description	Qty.
1	45425GT	SCREW,FHS,3/8-16 X .75	
2	35707GT	SHAFT,LIFTING CHAINS,20MM DIA.....3	
3	38709GT	WASHER,SHIM,.938 X 1.37 X .048	
4	38447GT	PULLEY W/BEARINGS.....2 (large chain, 3 inches)	
5	38316GT	SPACER,.560 AWP MAST.....1	
6	35706GT	BOLT,ROLLER,.470"(SHORT).....10	
7	38016GT	ROLLER,PLASTIC,AWP96**.....10	
8	6052GT	WASHER,SHIM,.5 X .875 X .063	
9	6097GT	WASHER,FLAT,USS,3/8",Y	
10	7713GT	NUT, LP NYLOCK, 3/8-16	
11	35709GT	BLOCK,SLIDE,UPPER.....2	
12	35722GT	SPACER,SHAFT,.310.....5	
13	35715GT	PULLEY,SMALL CHAIN.....4 (small chain, 3.25 inches)	
14	35711GT	SPACER,SHAFT,.840"LG.....2	
15	37686GT	SPACER,SHAFT,1.400.....1	
16	35760GT	COLUMN, 72.5"SS (#3 OR #5)*** (column 5)	
17	35991GT	NUT,WELD 1/4-20, PLATED L.L.**	
18	38983GT	BUMPER,MAST,RH.....1	
19	14295GT	WASHER,SHIM,.265 X .5 X .030	
20	6090GT	SCREW,HHC,1/4-20 X .75	
21	35759GT	COLUMN, 72.5"SS (#4)*** (column 4)	
22	35710GT	BLOCK,SLIDE,LOWER.....3	
23	35758GT	COLUMN, 72.5"SS (#3 OR #5)*** (column 3)	
24	38011GT	SHIM,SIDE PAD.....8	
25	40946GT	BOLT,SHIM.....8	
26	38013GT	SHIM NUT,ADJUSTER	
27	6022GT	NUT,HEX,3/8-16	

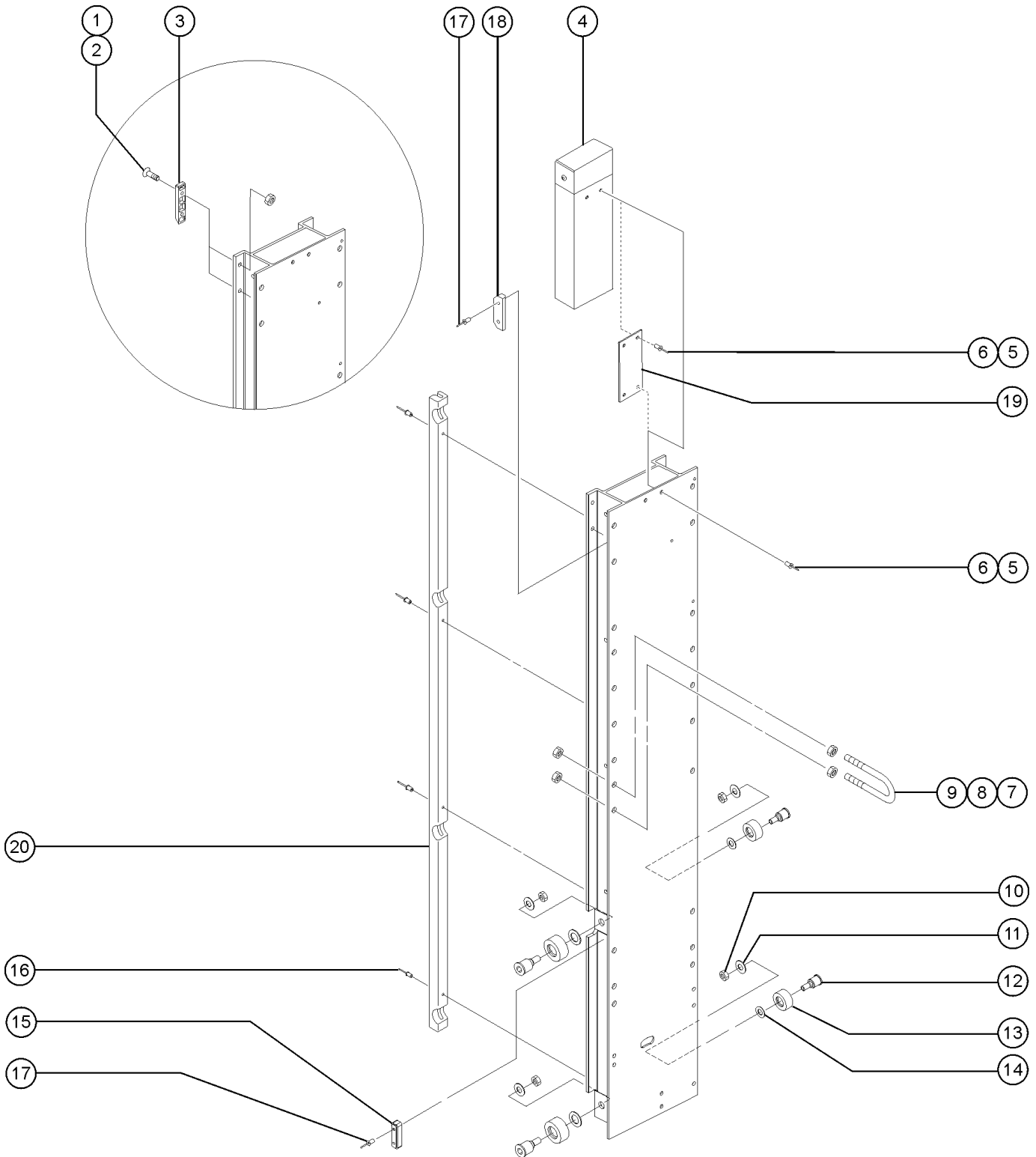
304.1 Number 3, 4, 5 and 6 Column Assemblies, IWP-30S



304.1 Number 3, 4, 5 and 6 Column Assemblies, IWP-30S

Item	Part No.	Description	Qty.
1	35707GT	SHAFT,LIFTING CHAINS,20MM DIA.....4	4
2	38709GT	WASHER,SHIM,.938 X 1.37 X .048	
3	38447GT	PULLEY W/BEARINGS.....4 <i>(large chain, 3 inches)</i>	4
4	38316GT	SPACER,.560 AWP MAST.....2	2
5	45425GT	SCREW,FHS,3/8-16 X .75	
6	35706GT	BOLT,ROLLER,.470"(SHORT).....14	14
7	80938GT	WHEEL, NYLON ROLLER.....14	14
8	6052GT	WASHER,SHIM,.5 X .875 X .063	
9	6097GT	WASHER,FLAT,USS,3/8",Y	
10	7713GT	NUT, LP NYLOCK, 3/8-16	
11	35709GT	BLOCK,SLIDE,UPPER.....3	3
12	35759GT	COLUMN, 72.5"SS (#4)*** <i>(column 4)</i>	
13	35722GT	SPACER,SHAFT,.310.....5	5
14	35715GT	PULLEY,SMALL CHAIN.....4 <i>(small chain 3.25 inches)</i>	4
15	35711GT	SPACER,SHAFT,.840"LG.....2	2
16	37686GT	SPACER,SHAFT,1.400.....1	1
17	35761GT	COLUMN, 72.5"SS (#4 OR #6)*** <i>(column 6)</i>	
18	35991GT	NUT,WELD 1/4-20, PLATED L.L.**	
19	38983GT	BUMPER,MAST,RH.....1	1
20	6638GT	WASHER,FLAT,USS,1/4"Y	
21	8255GT	SCREW,HHC,3/8-16 X .75	
22	35710GT	BLOCK,SLIDE,LOWER.....3	3
23	35758GT	COLUMN, 72.5"SS (#3 OR #5)***.....1 <i>(column 5)</i>	1
24	38013GT	SHIM NUT,ADJUSTER	
25	40946GT	BOLT,SHIM.....12	12
26	38011GT	SHIM,SIDE PAD.....12	12
27	6022GT	NUT,HEX,3/8-16	
28	35758GT	COLUMN, 72.5"SS (#3 OR #5)***.....1 <i>(column 3)</i>	1

305.1 Carriage Assembly, Models without Platform Outreach Option

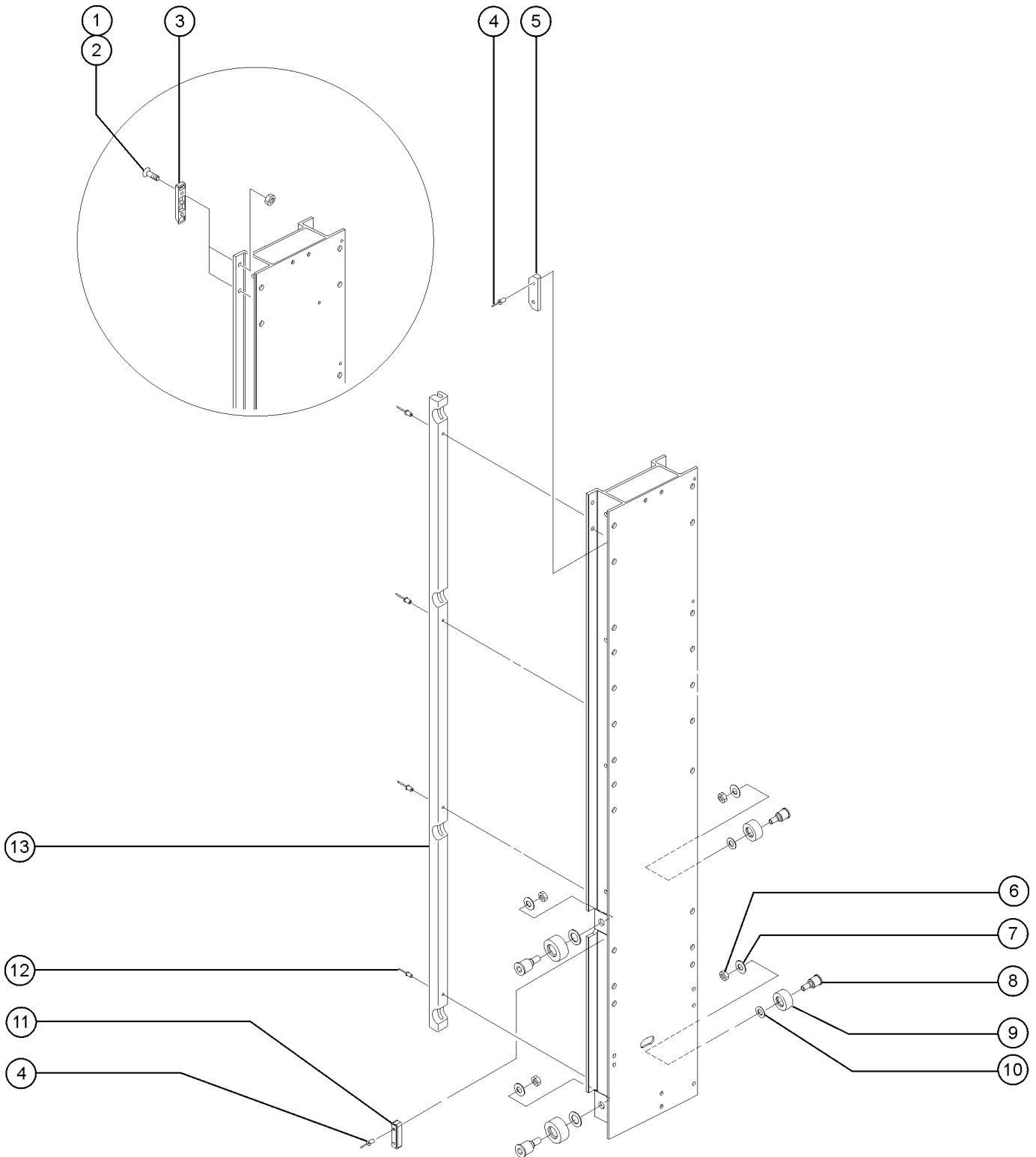


305.1 Carriage Assembly, Models without Platform Outreach Option

Item	Part No.	Description	Qty.	Item	Part No.	Description	Qty.
--	40288GT	CARRIAGE ASSY,-20S,-30S,WORDS* <i>(Asia, South America, Europe) (to SN IWP04-5497) (includes items 4-9, and 15-16) (Assemblies with Word Decals)</i>		1	14182GT	SCREW,FHS,1/4-20 X 1	
--	40288GT	CARRIAGE ASSY,-20S,-30S,WORDS* <i>(USA/Australia models) (includes items 4-9, and 15-16) (Assemblies with Word Decals)</i>		2	6091GT	NUT,NYLOCK,1/4-20	
--	40287GT	CARRIAGE ASY,-15,-25,-36,WRDS* <i>(Asia, South America, Europe) (to SN IWP04-5497) (includes items 4-9, and 15-16) (Assemblies with Word Decals)</i>		3	38014GT	SHIM, CARRIAGE.....2 <i>(to SN IWP04-5456)</i>	
--	40287GT	CARRIAGE ASY,-15,-25,-36,WRDS* <i>(USA, Australia) (includes items 4-9, and 15-16) (Assemblies with Word Decals)</i>		4	40267GT	BOX,INSTRUCT. STORAGE,S SERIES <i>(includes items 5 and 6)</i>	
--	69235GT	CARRIAGE ASSY,-20S,-30S,WORDS* <i>(Asia, South America, Europe) (to SN IWP04-5497) (includes items 4-9, 15-16 and 19) (Assemblies with Word Decals)</i>		--	2223GT	LANYARD ASSY HOIST/AWP-7***	
--	69235GT	CARRIAGE ASSY,-20S,-30S,WORDS* <i>(USA, Australia) (includes items 4-9, 15-16 and 19) (Assemblies with Word Decals)</i>		--	38728GT	INSTRUCTION TUBE,AWP96	
--	69233GT	CARRIAGE ASY,-15,-25,-36,WRDS* <i>(Asia, South America, Europe) (to SN IWP04-5497) (includes items 4-9, 15-16 and 19) (Assemblies with Word Decals)</i>		5	6271GT	RIVET,STL,STL.MAN,P,.25 X .25.....3	
--	69233GT	CARRIAGE ASY,-15,-25,-36,WRDS* <i>(USA, Australia) (includes items 4-9, 15-16 and 19) (Assemblies with Word Decals)</i>		6	75144GT	WASHER,FLAT,SAE 1/4",ZINC.....3	
--	107020GT	CARRIAGE ASY,-20,-30,ALUM,WRD* <i>(Canada) (includes items 4-9, and 15-16)</i>		7	6550GT	U-BOLT,3/8 X 1 YZ.....1	
--	69232GT	CARRIAGE ASY,-15,-25,-36,WRDS* <i>(Canada) (aluminum platform) (includes items 4-9, and 15-16)</i>		8	4828GT	NUT,NYLOCK,3/8-16	
--	107021GT	CARRIAGE ASY,-20,-30,FBRG,WRD* <i>(Canada) (includes items 4-9, 15-16 and 19)</i>		9	4828GT	NUT,NYLOCK,3/8-16	
--	69234GT	CARRIAGE ASY,-15,-25,-36,WRDS* <i>(Canada) (includes items 4-9, 15-16 and 19)</i>		10	7713GT	NUT, LP NYLOCK, 3/8-16	
--	85243GT	CARRIAGE ASSY,-20S,-30S,SYM <i>(Asia, South America, Europe) (from SN IWP04-5498) (includes items 4-9, and 15-16; Assemblies with Symbol Decals)</i>		11	6097GT	WASHER,FLAT,USS,3/8",Y	
--	85241GT	CARRIAGE ASSY,-15,-25,-36,SYM <i>(Asia, South America, Europe) (from SN IWP04-5498) (includes items 4-9, and 15-16; Assemblies with Symbol Decals)</i>		12	35706GT	BOLT,ROLLER,.470"(SHORT).....4	
--	85244GT	CARRIAGE ASSY,-20S,-30S,SYM <i>(Asia, South America, Europe) (from SN IWP04-5498) (includes items 4-9, 15-16 and 19) (Assemblies with Symbol Decals)</i>		13	38026GT	ROLLER, MACHINED AWP***.....4	
--	85242GT	CARRIAGE ASSY,-15,-25,-36,SYM <i>(Asia, South America, Europe) (from SN IWP04-5498) (includes items 4-9, 15-16 and 19) (Assemblies with Symbol Decals)</i>		14	6052GT	WASHER,SHIM,.5 X .875 X .063	
				15	124010GT	SHIM,CARRIAGE.....2 <i>(from SN IWP07-7269)</i>	
				16	8920GT	RIVET,ALUM,ALUM,P,.156 X .375	
				17	69855GT	RIVET,ALUM,ALUM,.25 X 1.125 AL <i>(from SN IWP04-5457)</i>	
				18	100171GT	SHIM,CARRIAGE,HDPE,POLYPROPYLE.2 <i>(from SN IWP04-5457 to SN IWP07-7268)</i>	
				18	124010GT	SHIM,CARRIAGE.....2	
				19	46695-SGT	INSTR. TUBE MOUNT, FIBER PLAT.....1 <i>(models with fiberglass platform)</i>	
				20	38005GT	SLIDE BLOCK,CARRIAGE%%.....1	



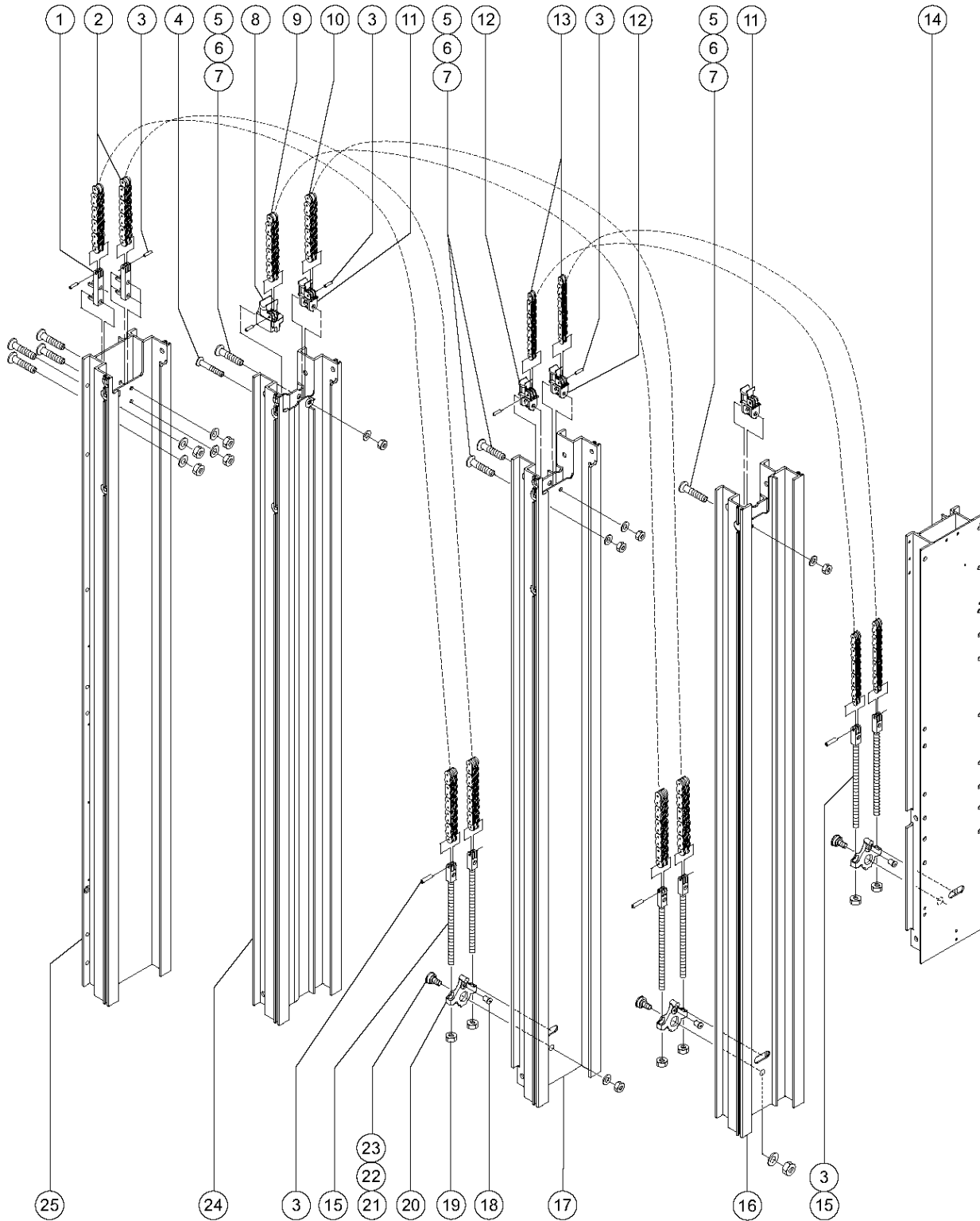
306.1 Carriage Assembly, IWP-20S with Platform Outreach Option



306.1 Carriage Assembly, IWP-20S with Platform Outreach Option

Item	Part No.	Description	Qty.
--	107022GT	CARRIAGE ASY,-20S W/ OUTREACH <i>(includes items 6-10, 12 and 13)</i>	
1	14182GT	SCREW,FHS,1/4-20 X 1	
2	6091GT	NUT,NYLOCK,1/4-20	
3	38014GT	SHIM, CARRIAGE.....2 <i>(to SN IWP04-5456)</i>	
4	69855GT	RIVET,ALUM,ALUM,.25 X 1.125 AL <i>(from SN IWP04-5457)</i>	
5	100171GT	SHIM,CARRIAGE,HDPE,POLYPROPYLE.2 <i>(from SN IWP04-5457 to SN IWP07-7268)</i>	
6	7713GT	NUT, LP NYLOCK, 3/8-16	
7	6097GT	WASHER,FLAT,USS,3/8",Y	
8	35706GT	BOLT,ROLLER,.470"(SHORT).....4	
9	38026GT	ROLLER, MACHINED AWP***.....4	
10	6052GT	WASHER,SHIM,.5 X .875 X .063	
11	124010GT	SHIM,CARRIAGE	
12	8920GT	RIVET,ALUM,ALUM,P,.156 X .375	
13	38005GT	SLIDE BLOCK,CARRIAGE%%.....1	

307.1 Lifting Chain Assemblies, IWP-20S

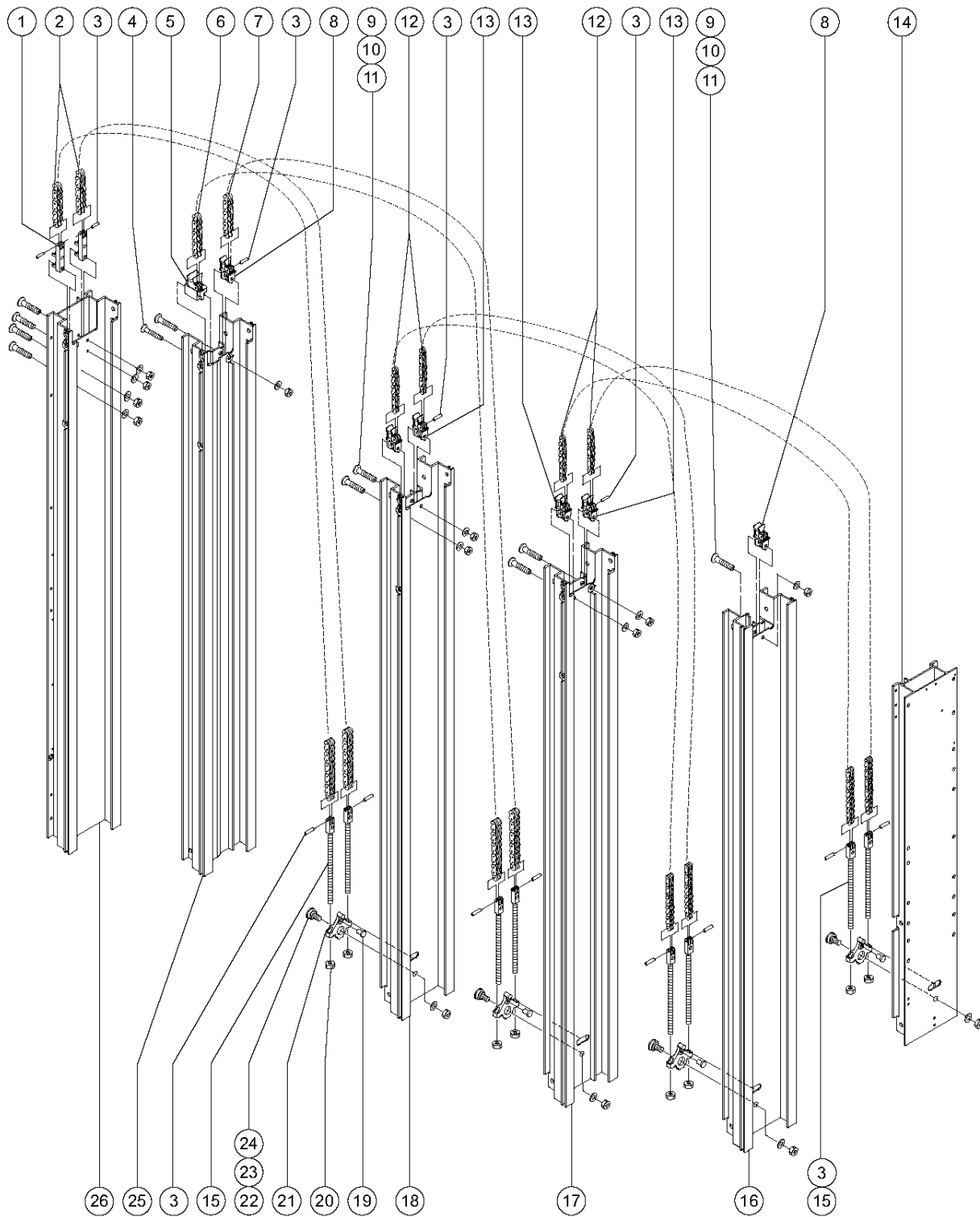


307.1 Lifting Chain Assemblies, IWP-20S

Item	Part No.	Description	Qty.	Item	Part No.	Description	Qty.
--		<i>IWP Super Series Models were produced using one of two different styles of chain terminals; single slot or double slot. A serial number break was not available at the time of this publication. Refer to the specific machine to determine the style required</i>		24		Ref. Number 2 Column Assembly (refer to 301.1)	
				25		Ref. Number 1 Column Assembly (refer to 301.1)	
1	35699GT	CHAIN TERMINAL CASTING,#1.....	2				
2	37385GT	CHAIN ASSY#1,72.5"COL.S-SERIES..... (includes items 1, 3, and 15)	2				
--	35704-6813GT	CHAIN,STD.LEAF AL544,68.13"					
3	6534GT	PIN,GROOVED- .200 X .75*.....	12				
3A	38986GT	PIN,GROOVED,.200 X .50*.....	4				
4	40945GT	SCREW,FHS,1/4-20 X 2.25					
5	35714GT	SCREW,FHS,3/8-16 X 2.25					
6	5397GT	WASHER,FLAT,USS,5/16",Y					
7	4828GT	NUT,NYLOCK,3/8-16					
8	35697GT	CHAIN TERM,CLEVIS CYL.,ZINC.....	1				
9	37384GT	CHAIN ASSY#2,72.5"COL.S-SERIES..... (includes items 3, 8 and 15)	1				
--	35704-6813GT	CHAIN,STD.LEAF AL544,68.13"					
10	37386GT	CHAIN ASSY,72.5"COL. S-SERIES..... (includes items 3, 11 and 15)	1				
--	35704-6813GT	CHAIN,STD.LEAF AL544,68.13"					
11	35695GT	CHAIN TERM,PULLEY SUPORT-ZINC...2					
12	38980GT	CHAIN TERM,PULLEY SUPPORT-ZNC..... (single slot)	2				
12A	35695GT	CHAIN TERM,PULLEY SUPORT-ZINC (double slot)					
13	37387GT	CHAIN ASSY,72.5COL.(SM)S-SERIE..... (includes items 3, 12, and 15)	2				
--	35703-6813GT	CHAIN,STD.LEAF AL522,68.13"					
14		Ref. Carriage Assembly (refer to 305.1 or 306.1)					
15	41224GT	CHAIN TERM.LWR.SS(1 SLOT)..... (single slot) (includes item 3)	2				
15A	38187GT	CHAIN TERM.LWR.SS(2 SLOT)*..... (double slot) (includes item 3)	6				
16		Ref. Number 4 Column Assembly (refer to 302.1)					
17		Ref. Number 3 Column Assembly (refer to 302.1)					
18	11890GT	GLIDE BUTTON,SIDE,GLL,.100 TK.....	3				
19	35712GT	NUT,NYLOCK,3/8-24					
20	35698GT	CHAIN TENSION ROCKER CAST.ZINC.....	3				
21	35705GT	BOLT-ROCKER, S-SERIES.....	3				
22	6095GT	WASHER,FLAT,USS,1/2",Y					
23	6086GT	NUT,LP NYLOCK,1/2-13					



308.1 Lifting Chain Assemblies, IWP-25S

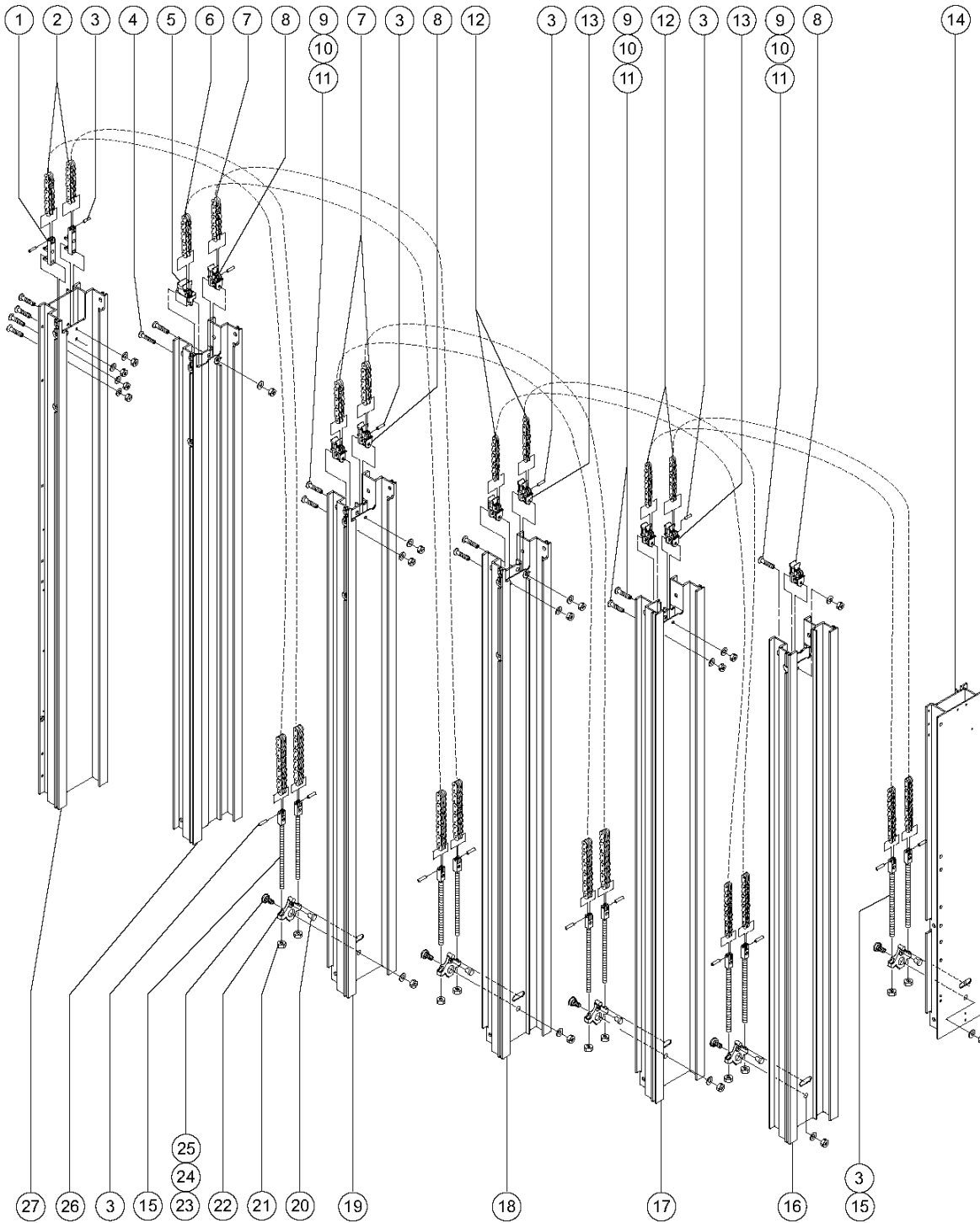


308.1 Lifting Chain Assemblies, IWP-25S

Item	Part No.	Description	Qty.	Item	Part No.	Description	Qty.
--		<i>IWP Super Series Models were produced using one of two different styles of chain terminals; single slot or double slot. A serial number break was not available at the time of this publication. Refer to the specific machine to determine the style required</i>		25		Ref. Number 2 Column Assembly (refer to 301.1)	
				26		Ref. Number 1 Column Assembly (refer to 301.1)	
1	35699GT	CHAIN TERMINAL CASTING,#1.....2					
2	37385GT	CHAIN ASSY#1,72.5"COL.S-SERIES.....2 (includes items 1, 3 and 15)					
--	35704-6813GT	CHAIN,STD.LEAF AL544,68.13"					
3	6534GT	PIN,GROOVED- .200 X .75*.....16					
3A	38986GT	PIN,GROOVED,.200 X .50*.....8					
4	40945GT	SCREW,FHS,1/4-20 X 2.25					
5	35697GT	CHAIN TERM,CLEVIS CYL.,ZINC.....1					
6	37384GT	CHAIN ASSY#2,72.5"COL.S-SERIES.....1 (includes items 3, 5 and 15)					
--	35704-6813GT	CHAIN,STD.LEAF AL544,68.13"					
7	37386GT	CHAIN ASSY,72.5"COL. S-SERIES.....1 (includes items 3, 8 and 15)					
--	35704-6813GT	CHAIN,STD.LEAF AL544,68.13"					
8	35695GT	CHAIN TERM,PULLEY SUPORT-ZINC...2					
9	35714GT	SCREW,FHS,3/8-16 X 2.25					
10	5397GT	WASHER,FLAT,USS,5/16",Y					
11	4828GT	NUT,NYLOCK,3/8-16					
12	37387GT	CHAIN ASSY,72.5COL.(SM)S-SERIE.....4 (includes items 3, 13 and 15)					
--	35703-6813GT	CHAIN,STD.LEAF AL522,68.13"					
13	38980GT	CHAIN TERM,PULLEY SUPPORT-ZNC.....4					
14		Ref. Carriage Assembly (refer to 305.1)					
15	41224GT	CHAIN TERM.LWR.SS(1 SLOT).....4 (single slot) (includes item 3)					
15A	38187GT	CHAIN TERM.LWR.SS(2 SLOT)*.....8 (double slot) (includes item 3)					
16		Ref. Number 5 Column Assembly (refer to 303.1)					
17		Ref. Number 4 Column Assembly (refer to 303.1)					
18		Ref. Number 3 Column Assembly (refer to 303.1)					
19	11890GT	GLIDE BUTTON,SIDE,GLL,.100 TK.....4					
20	35712GT	NUT,NYLOCK,3/8-24					
21	35698GT	CHAIN TENSION ROCKER CAST.ZINC.....4					
22	35705GT	BOLT-ROCKER, S-SERIES.....4					
23	6095GT	WASHER,FLAT,USS,1/2",Y					
24	6086GT	NUT,LP NYLOCK,1/2-13					



309.1 Lifting Chain Assemblies, IWP-30S

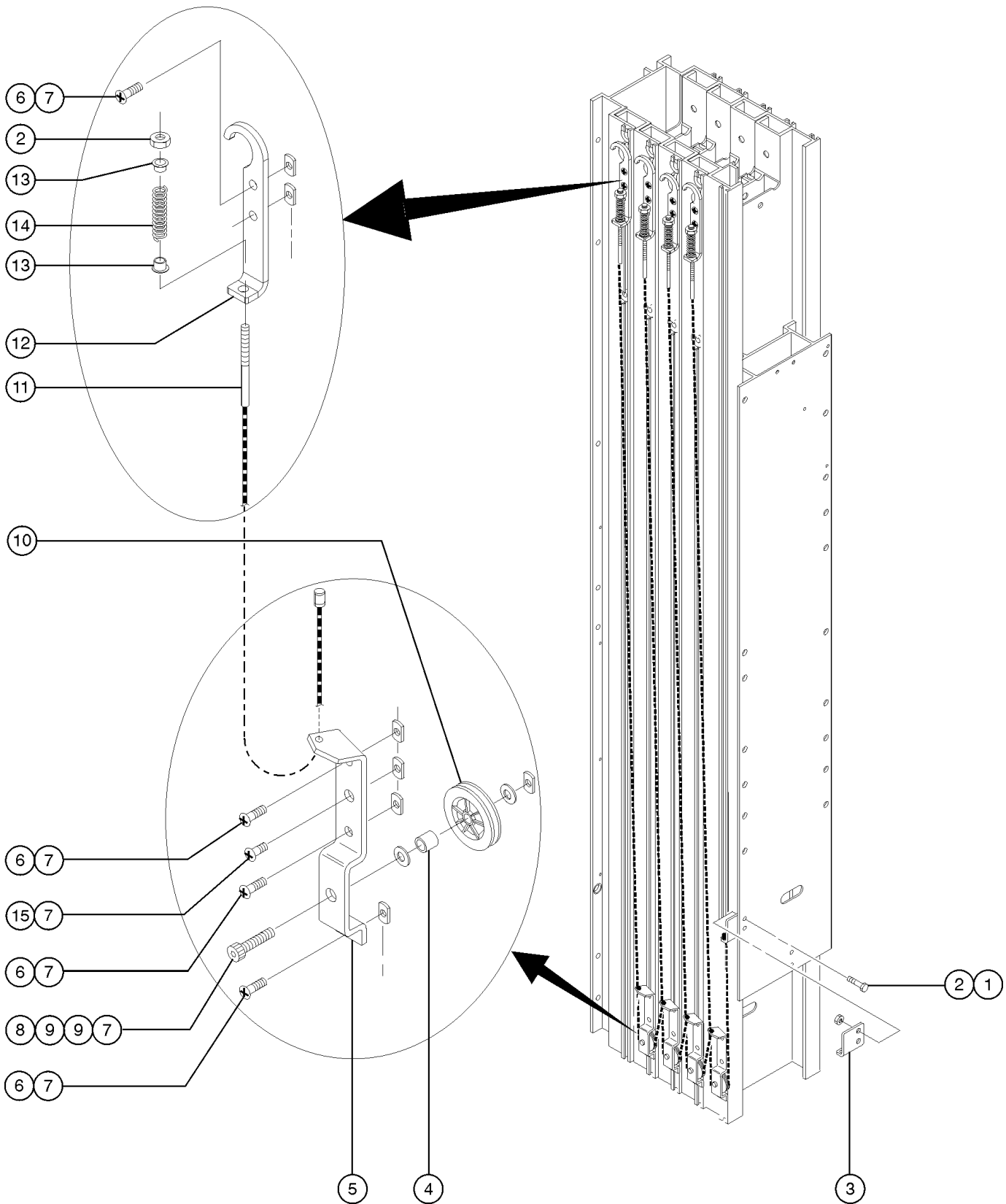


309.1 Lifting Chain Assemblies, IWP-30S

Item	Part No.	Description	Qty.	Item	Part No.	Description	Qty.
--		<i>IWP Super Series Models were produced using one of two different styles of chain terminals; single slot or double slot. A serial number break was not available at the time of this publication. Refer to the specific machine to determine the style required</i>		24	6095GT	WASHER,FLAT,USS,1/2",Y	
				25	6086GT	NUT,LP NYLOCK,1/2-13	
				26		Ref. Number 2 Column Assembly (refer to 301.1)	
				27		Ref. Number 1 Column Assembly (refer to 301.1)	
1	35699GT	CHAIN TERMINAL CASTING,#1.....2					
2	37385GT	CHAIN ASSY#1,72.5"COL.S-SERIES.....2 (includes items 1, 3, and 15)					
--	35704-6813GT	CHAIN,STD.LEAF AL544,68.13"					
3	6534GT	PIN,GROOVED- .200 X .75*.....20					
3A	38986GT	PIN,GROOVED,.200 X .50*.....8					
4	40945GT	SCREW,FHS,1/4-20 X 2.25					
5	35697GT	CHAIN TERM,CLEVIS CYL.,ZINC.....1					
6	37384GT	CHAIN ASSY#2,72.5"COL.S-SERIES.....1 (includes items 3, 5 and 15)					
--	35704-6813GT	CHAIN,STD.LEAF AL544,68.13"					
7	37386GT	CHAIN ASSY,72.5"COL. S-SERIES.....3 (includes items 3, 8 and 15)					
--	35704-6813GT	CHAIN,STD.LEAF AL544,68.13"					
8	35695GT	CHAIN TERM,PULLEY SUPORT-ZINC...4 (double slot)					
9	35714GT	SCREW,FHS,3/8-16 X 2.25					
10	5397GT	WASHER,FLAT,USS,5/16",Y					
11	4828GT	NUT,NYLOCK,3/8-16					
12	37387GT	CHAIN ASSY,72.5COL.(SM)S-SERIE.....4 (includes items 3, 13 and 15)					
--	35703-6813GT	CHAIN,STD.LEAF AL522,68.13"					
13	38980GT	CHAIN TERM,PULLEY SUPPORT-ZNC.....4					
14		Ref. Carriage Assembly (refer to 305.1)					
15	41224GT	CHAIN TERM.LWR.SS(1 SLOT).....4 (includes item 3)					
15A	38187GT	CHAIN TERM.LWR.SS(2 SLOT)*.....10 (includes item 3)					
16		Ref. Number 6 Column Assembly (refer to 304.1)					
17		Ref. Number 5 Column Assembly (refer to 304.1)					
18		Ref. Number 4 Column Assembly (refer to 304.1)					
19		Ref. Number 3 Column Assembly (refer to 304.1)					
20	11890GT	GLIDE BUTTON,SIDE,GLL,.100 TK.....5					
21	35712GT	NUT,NYLOCK,3/8-24					
22	35698GT	CHAIN TENSION ROCKER CAST.ZINC.....5					
23	35705GT	BOLT-ROCKER, S-SERIES.....5					



310.1 Sequencing Cables

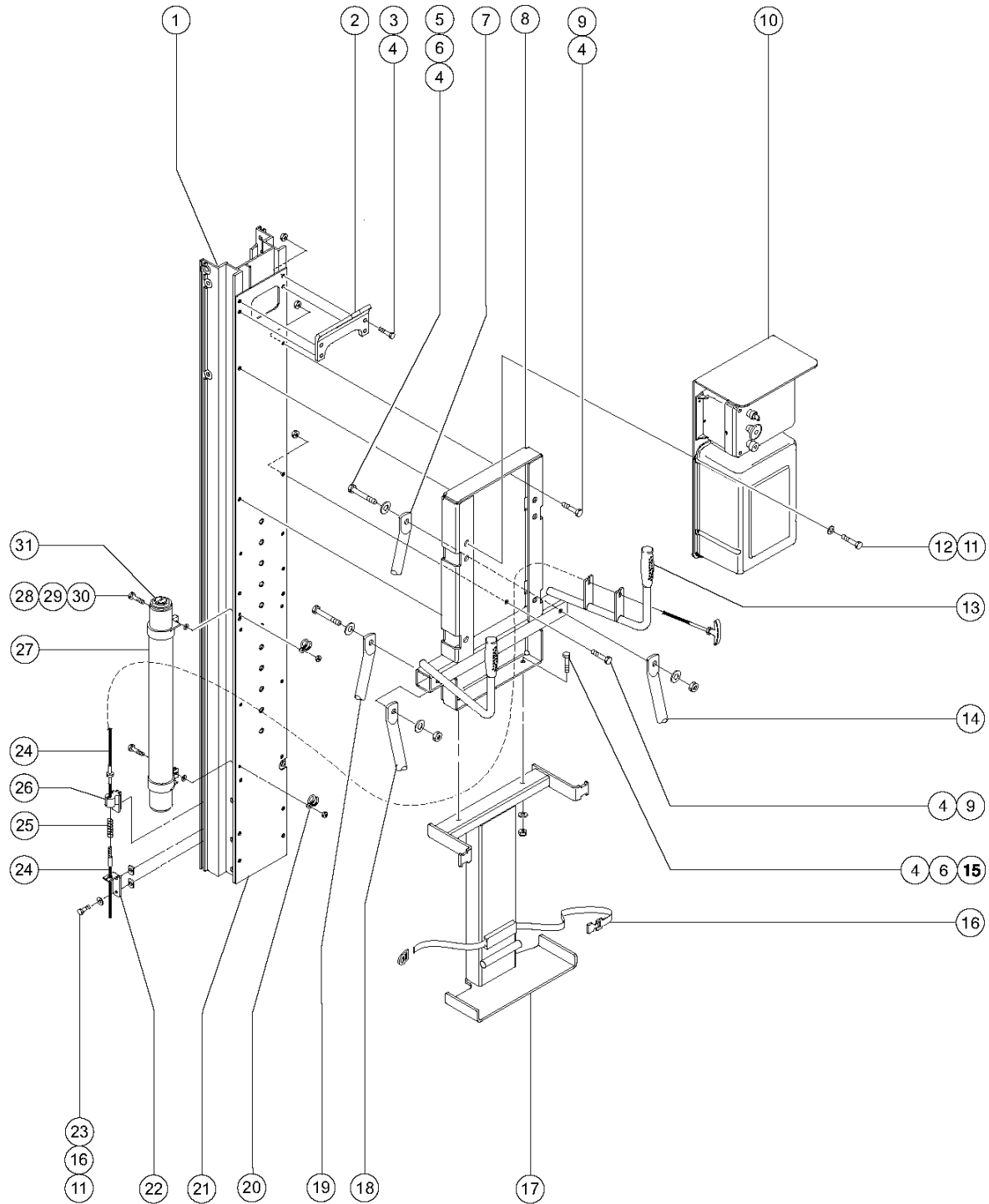


310.1 Sequencing Cables

Item	Part No.	Description	Qty.	Item	Part No.	Description	Qty.
1	6090GT	SCREW,HHC,1/4-20 X .75		12C	124047GT	RETROFIT KIT,MAST SEQ,IWP20.....3 <i>IWP20S (from SN 4099-2423 to IWP07-7268)</i>	
2	6091GT	NUT,NYLOCK,1/4-20		12D	124048GT	RETROFIT KIT,MAST SEQ,IWP25.....4 <i>IWP25S (from SN 4099-2423 to IWP07-7268)</i>	
3	35734GT	FORMING, SEQUENCING, CARR, ZN...1		12E	124049GT	RETROFIT KIT,MAST SEQ,IWP30.....5 <i>IWP30S (from SN 4099-2423 to IWP07-7268)</i>	
4	44895GT	SPACER,TUBE,1/4X3/8X.50"LONG.....3 <i>IWP20S</i>		12F	109870GT	FORMING,SEQUENCING CABLE BRKT.....3 <i>IWP20S (from SN IWP07-7269) (shown)</i>	
4A	44895GT	SPACER,TUBE,1/4X3/8X.50"LONG.....4 <i>IWP25S</i>		12G	109870GT	FORMING,SEQUENCING CABLE BRKT.....4 <i>IWP25S (from SN IWP07-7269) (shown)</i>	
4B	44895GT	SPACER,TUBE,1/4X3/8X.50"LONG.....5 <i>IWP30S</i>		12H	109870GT	FORMING,SEQUENCING CABLE BRKT.....5 <i>IWP30S (from SN IWP07-7269) (shown)</i>	
5	124047GT	RETROFIT KIT,MAST SEQ,IWP20.....3 <i>IWP20S (to SN IWP07-7268) (includes items 7, 12, and 15)</i>		13	38234GT	BUSHING,FLANGE,3/8 OD X 1/4 ID.....6 <i>IWP20S</i>	
5A	124048GT	RETROFIT KIT,MAST SEQ,IWP25.....4 <i>IWP25S (to SN IWP07-7268) (includes items 7, 12, and 15)</i>		13A	38234GT	BUSHING,FLANGE,3/8 OD X 1/4 ID.....8 <i>IWP25S</i>	
5B	124049GT	RETROFIT KIT,MAST SEQ,IWP30.....5 <i>IWP30S (to SN IWP07-7268) (includes items 7, 12, and 15)</i>		13B	38234GT	BUSHING,FLANGE,3/8 OD X 1/4 ID.....10 <i>IWP30S</i>	
5C	35730GT	BRACKET,SEQUENCING,ZINC *3 <i>IWP20S (from SN IWP07-7269)</i>		14	8849GT	SPRING, TENSION CABLE.....3 <i>IWP20S</i>	
5D	35730GT	BRACKET,SEQUENCING,ZINC *5 <i>IWP30S (from SN IWP07-7269)</i>		14A	8849GT	SPRING, TENSION CABLE.....4 <i>IWP25S</i>	
5E	35730GT	BRACKET,SEQUENCING,ZINC *5 <i>IWP30S (from SN IWP07-7269)</i>		14B	8849GT	SPRING, TENSION CABLE.....5 <i>IWP30S</i>	
6	38979GT	SCREW,PHM,1/4-20X.5 PHIL		14C	8849GT	SPRING, TENSION CABLE.....5 <i>IWP30S</i>	
7	35991GT	NUT,WELD 1/4-20, PLATED L.L.**.....18		15	109988GT	SCREW,PHM,1/4-20X.25 PHL	
8	41077GT	SCREW,SHC,1/4-20 X .875					
9	12906GT	WASHER,FENDER,.25 X 1.25 X.062					
10	35733GT	PULLEY,SEQUENCING,NYLATRON.....3 <i>IWP20S</i>					
10A	35733GT	PULLEY,SEQUENCING,NYLATRON.....4 <i>IWP25S</i>					
10B	35733GT	PULLEY,SEQUENCING,NYLATRON.....5 <i>IWP30S</i>					
11	40313GT	CABLE ASSY,SEQ.MAST,DPL.....2 <i>IWP20S (includes item 5)</i>					
11A	40313GT	CABLE ASSY,SEQ.MAST,DPL.....3 <i>IWP25S (includes item 5)</i>					
11B	40313GT	CABLE ASSY,SEQ.MAST,DPL.....4 <i>IWP30S (includes item 5)</i>					
11C	40314GT	CABLE,ASSY,SEQ.CARRIAGE**.....1 <i>(to SN 4099-2422) (not shown) (includes item 3)</i>					
11D	69223GT	SEQUENCE CABLE ASSY,CARRIAGE** <i>(from SN 4099-2423) (includes item 3)</i>					
12	38339GT	BRACKET,SEQUENCING,UPPER,ZINC*.3 <i>IWP20S (to SN 4099-2422)</i>					
12A	38339GT	BRACKET,SEQUENCING,UPPER,ZINC*.4 <i>IWP25S (to SN 4099-2422)</i>					
12B	38339GT	BRACKET,SEQUENCING,UPPER,ZINC*.5 <i>IWP30S (to SN 4099-2422)</i>					



311.1 Number 1 Column Attached Parts



311.1 Number 1 Column Attached Parts

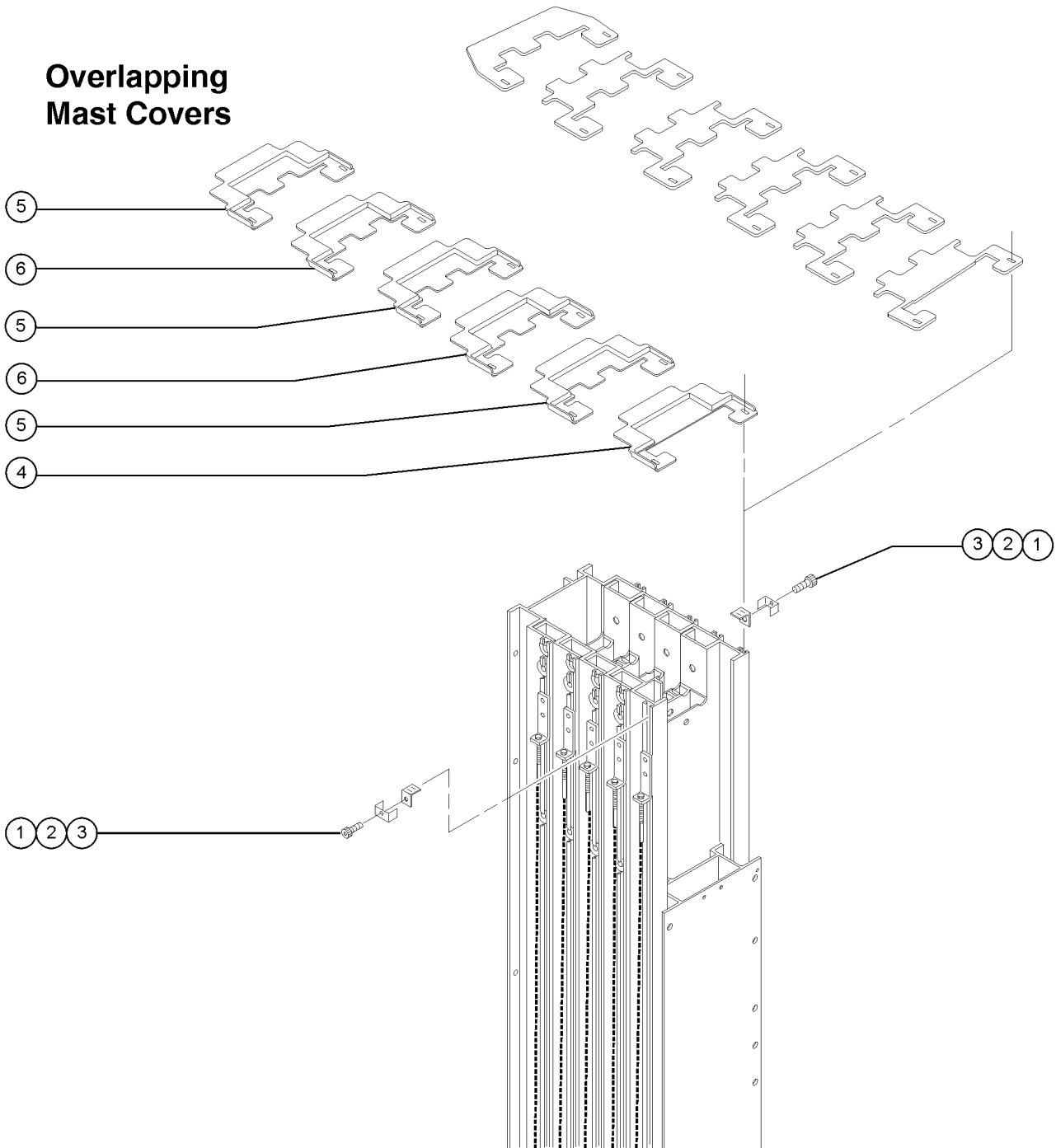
Item	Part No.	Description	Qty.	Item	Part No.	Description	Qty.
1		Ref. Number 1 Column <i>(refer to 301.1)</i>		29	20980GT	WASHER,NYLON,.434 X.263X.049	
2	107023GT	LIFTING EYE ASSEMBLY.....1		30	6091GT	NUT,NYLOCK,1/4-20	
3	8516GT	SCREW, HCC, 3/8-16 X 1.50		31	6714GT	LEVEL,BUBBLE.....1	
4	4828GT	NUT,NYLOCK,3/8-16					
5	21604GT	SCREW,HHC,3/8-16 X 3.25					
6	6097GT	WASHER,FLAT,USS,3/8",Y					
7		Ref., MAST BRACE <i>(refer to 201.1)</i>					
8	38906GT	WELDMENT,STEERING HANDLE,IWP.....1					
9	6019GT	SCREW,HHC,3/8-16 X 1.25 GRD 5					
10		Ref. Power Pack <i>(refer to 406.1)</i>					
11	7339GT	SCREW, HHC, 1/4-20 X .5					
12	40004GT	SCREW,SHC,1/4-20 X .375 BLK					
13	6587GT	HANDLE GRIP, RUBBER .75 X 4.5.....2					
14		Ref., MAST BRACE <i>(refer to 201.1)</i>					
15	6708GT	SCREW,HHC,3/8-16 X 2.25					
16	40436GT	STRAP ASSY.-BATT. HOLD DOWN.....1 <i>DC models</i>					
--	100810GT	BUCKLE & SLIDE STRAP SET					
--	35642GT	STRAP,NYLON,1.0 IN. BLACK.....48-inches					
--	35643GT	BUCKLE,SIDE RELEASE					
17	40437GT	BATT.SUPPORT WITH STRAP.....1 <i>DC models (includes item 14)</i>					
18		Ref., MAST BRACE <i>(refer to 201.1)</i>					
19		Ref., MAST BRACE <i>(refer to 201.1)</i>					
20	21618GT	CLAMP,1.13,#18 X 1/4,RUB CUSH.....2					
20A	21619GT	CLAMP,1.50,#24 X 1/4,RUB CUSH <i>(models with Power Wheel Assist Option)</i>					
21	38001PGT	PLATE,REINFORCEMENT,PAINTED**...1					
22	37283-SGT	ANGLE,CABLE MOUNT,"BLUE".....1					
23	35991GT	NUT,WELD 1/4-20, PLATED L.L.**					
24	37342GT	CABLE,RELEASE & HANDLE ASSY.....1					
25	40604GT	SPRING,COMPRESSION,1 X 4 X.105...1					
26	40606GT	BLOCK,INTERLOCK SLIDER IWP.....1					
27		Ref. Level Sensor Assembly <i>The mast-mounted level sensor assembly is no longer available as a replacement part for the IWP Super Series. Please refer to Fig. 201.1 for the replacement kit part number.</i>					
28	8915GT	SCREW,HHC,1/4-20 X 1.25					



312.1 Mast Cover

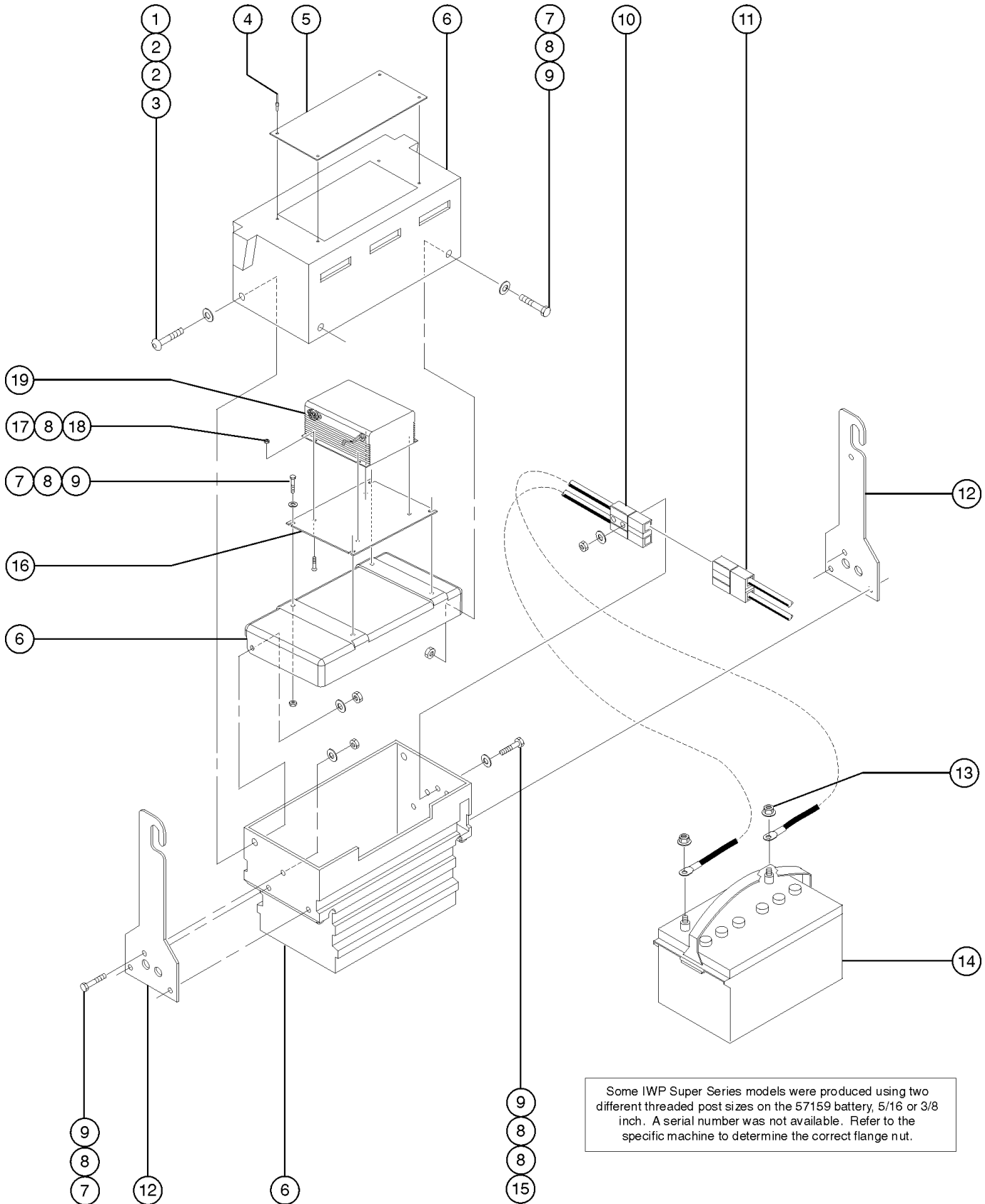
Interlocking Mast Covers

Overlapping Mast Covers



Item	Part No.	Description	Qty.
--		IWP Super Series were produced using one of two different styles of mast covers, interlocking or overlapping. Interlocking mast covers are no longer available. To update, order the full set of overlapping mast covers.	
1	40004GT	SCREW,SHC,1/4-20 X .375 BLK	
2	41055GT	WASHER,T-SLOT	
3	38730GT	NUT,WELD,ANGLE,1/4" T-SLOT	
4	38315GT	FLAP,CARRIAGE COVER***1 <i>IWP-20S (4th column) IWP-25S (5th column) IWP-30S (6th column)</i>	
5	38314GT	FLAP,MAST COVER #1,#3,& #5.....1 <i>IWP-20S, IWP-25S (3rd and 1st column) IWP30-S (5th, 3rd, 1st column)</i>	
6	35786GT	FLAP,MAST COVER #2 & #4.....1 <i>IWP-20S (2nd column) IWP-25S, IWP-30S (4th and 2nd column)</i>	

401.1 Battery Pack Assembly, DC Models



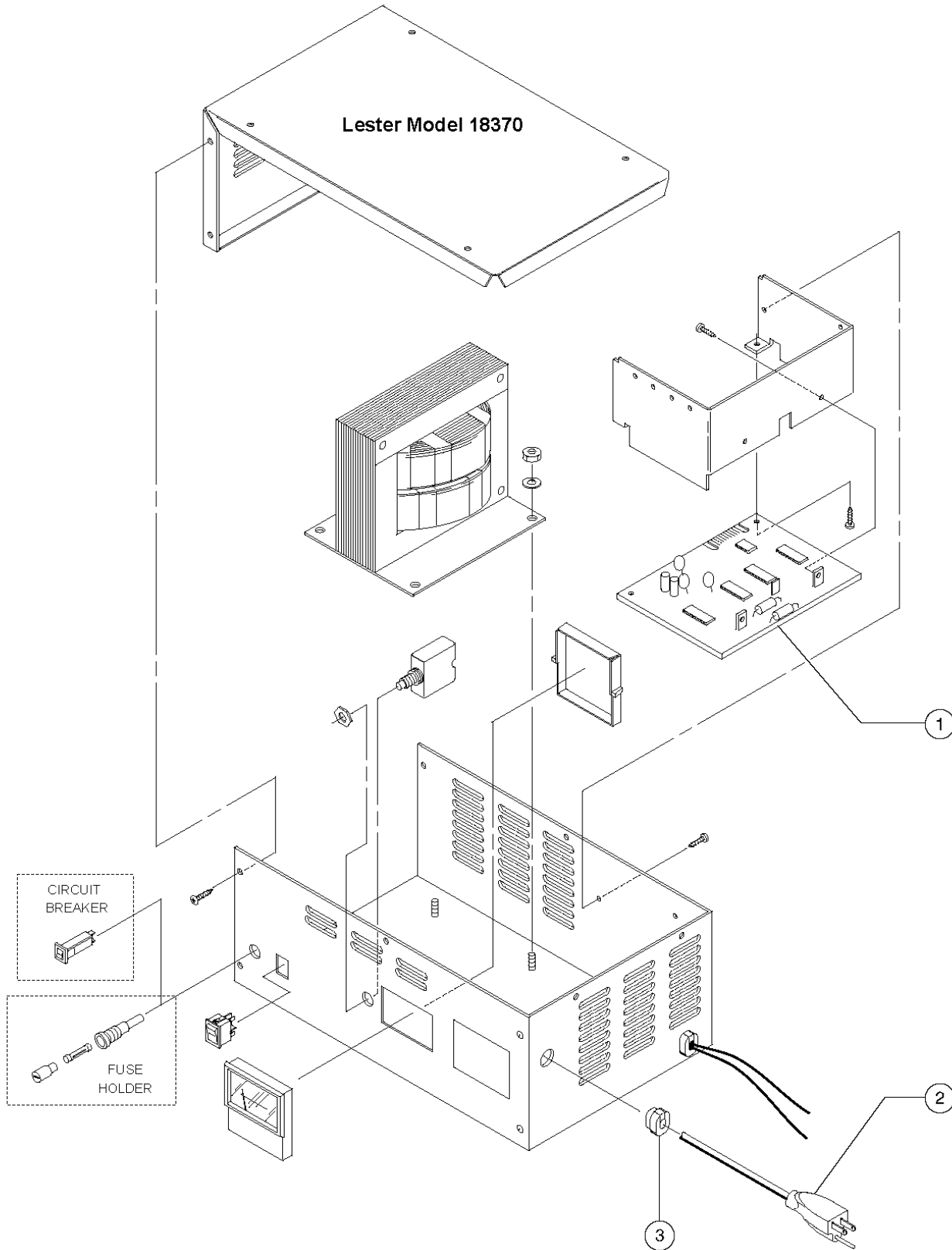
Some IWP Super Series models were produced using two different threaded post sizes on the 57159 battery, 5/16 or 3/8 inch. A serial number was not available. Refer to the specific machine to determine the correct flange nut.

401.1 Battery Pack Assembly, DC Models

Item	Part No.	Description	Qty.	Item	Part No.	Description	Qty.
--		<i>Some IWP Super Series models were produced using two different threaded post sizes on the 57159 battery; 5/16 or 3/8 inch. A serial number break was not available. Refer to the specific machine to determine the correct flange nut.</i>		14A	60499GT	BATTERY,12V GRP27TM,105 AH,WET (models with wet battery option)	
				15	6145GT	SCREW,HHC,1/4-20 X 1.5	
				16	80989GT	PLATE,12V CHARGER MOUNT.....1 (models with Signet Charger)	
--	85423GT	BATT.PACK,12VDC/HI-LO***		17	15513GT	NUT,HEX,10-32	
--	85424GT	BATT.PACK,N0 BATT,12VDC-HI/LO* order battery separately		18	17626GT	SCREW,FHM,10-32 X .75	
1	28487GT	SCREW,BHHS,3/8-16 X 1		19		Ref. Battery Charger (refer to 402.1, 403.1, 404.1 or 405.1)	
2	5397GT	WASHER,FLAT,USS,5/16",Y					
3	7713GT	NUT, LP NYLOCK, 3/8-16					
4	8920GT	RIVET,ALUM,ALUM,P,.156 X .375					
5	40508GT	BATTERY PLATE W/DECAL,S-SERIES.....1 (to SN 4000-2899)					
6	38215GT	BATT.BOX, ASSY W/ DECALS.....1					
7	6090GT	SCREW,HHC,1/4-20 X .75					
8	6638GT	WASHER,FLAT,USS,1/4"Y					
9	6889GT	NUT,LP NYLOCK,1/4-20					
10	38212GT	CABLE ASSY,BAT PACK/CLAMP POST.....1 (clamp terminal post)					
--	18189GT	BOOT,BATTERY TERMINAL,RED					
--	19436GT	CONNECTOR,ANDERSON SB 175,1/0G					
10A	69228GT	CABLE ASSY,BAT PACK/RING-TERM (threaded terminal post)					
--	19436GT	CONNECTOR,ANDERSON SB 175,1/0G					
--	96110GT	BOOT,CABLE TERMINAL COVER					
11	38213GT	CABLE ASSY,ANDRSN,26",15S-30S					
--	19436GT	CONNECTOR,ANDERSON SB 175,1/0G					
12	40301GT	HOOK,BATTERY BOX W/DECAL,--S--....2					
--	33245PGT	PLATE,BATTERY BOX HOOK,PAINTED					
13	69229GT	NUT,WING 5/16-18 <i>IWP Super Series models were produced using two different threaded post sizes on the battery; 5/16" or 3/8". A serial number break was not available. Refer to the specific machine to determine the correct nut.</i>					
13A	69230GT	NUT,WING,3/8-16 <i>IWP Super Series models were produced using two different threaded post sizes on the battery; 5/16" or 3/8". A serial number break was not available. Refer to the specific machine to determine the correct nut.</i>					
13B	18503GT	NUT,LOCKING-LG.FLANGE,5/16-18 (from SN IWP07-7213)					
14	57159GT	BATTERY,12V GRP 27,105 AH, DRY.....1 (models with dry battery option)					



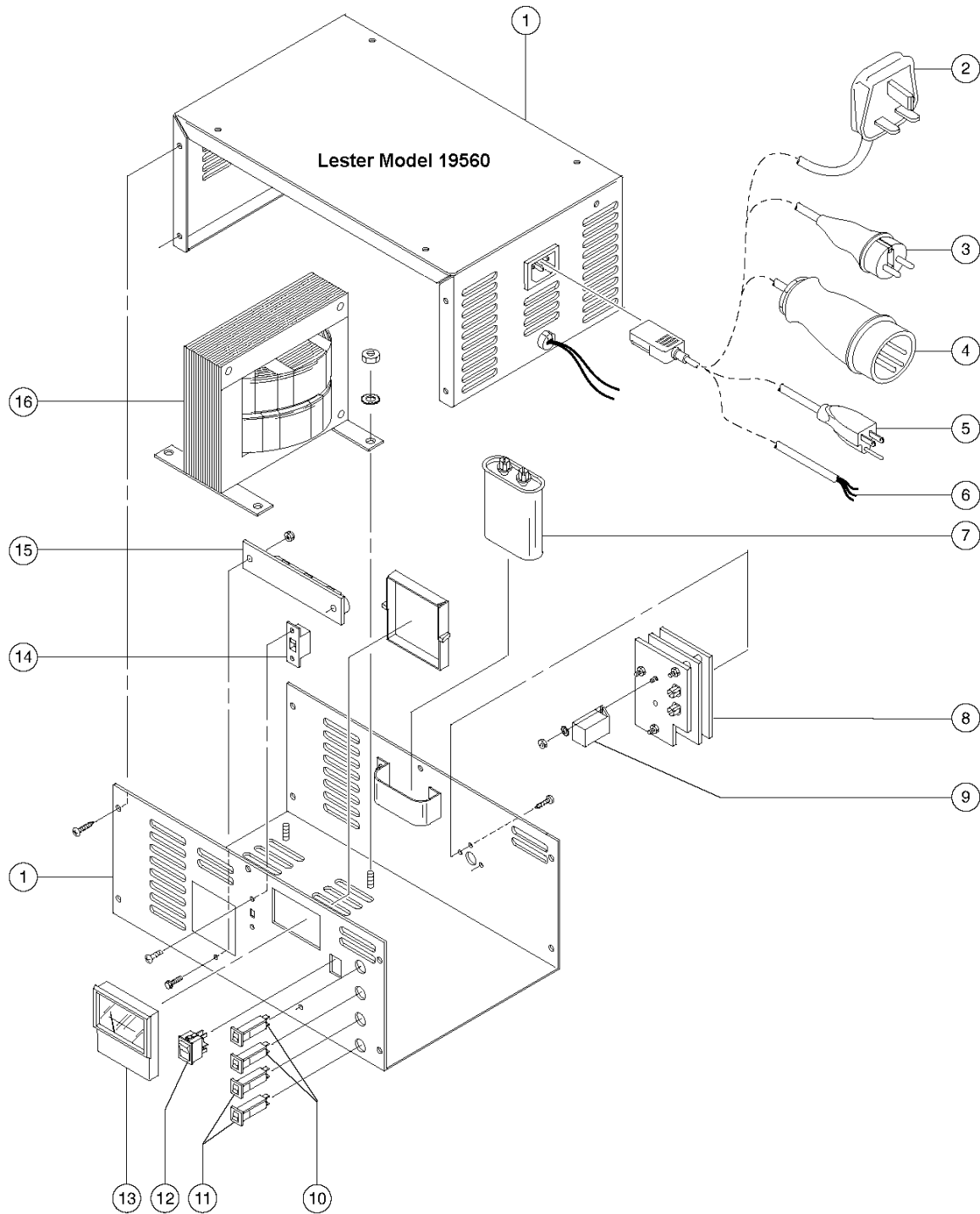
402.1 Battery Charger, ANSI Models



402.1 Battery Charger, ANSI Models

Item	Part No.	Description	Qty.
--		<i>The Lester charger is no longer available as a replacement charger for the IWP Super Series. Please refer to Fig. 405.1 for the replacement kit part number.</i>	
1	38165GT	TIMER, ELECTRONIC.....	1
2	40396GT	CORDSET-AC (38581 CHARGER).....	1
3	16364GT	BUSHING-6671 CHARG.,MOD# 6685....	1
4	38166GT	AMMETER, 12 AMP.....	1
5	40395GT	SWITCH-POWER,CHARGER, SP/ST.....	1
6	24036GT	FUSE HOLDER, CHARGER..... <i>(models produced before 12/1/98)</i>	1
7	33551GT	FUSE,3 AMP..... <i>(models produced before 12/1/98)</i>	1
8	65804GT	CIRCUIT BREAKER,4 AMP 38581..... <i>(models produced after 11/30/98)</i>	1
9	38175GT	CIRCUIT BREAKER-LESTER CHARGER.....	1
10	40394GT	TRANSFORMER, CHARGER (38581)....	1
11	41218GT	COVER,CHARGER #38581.....	1

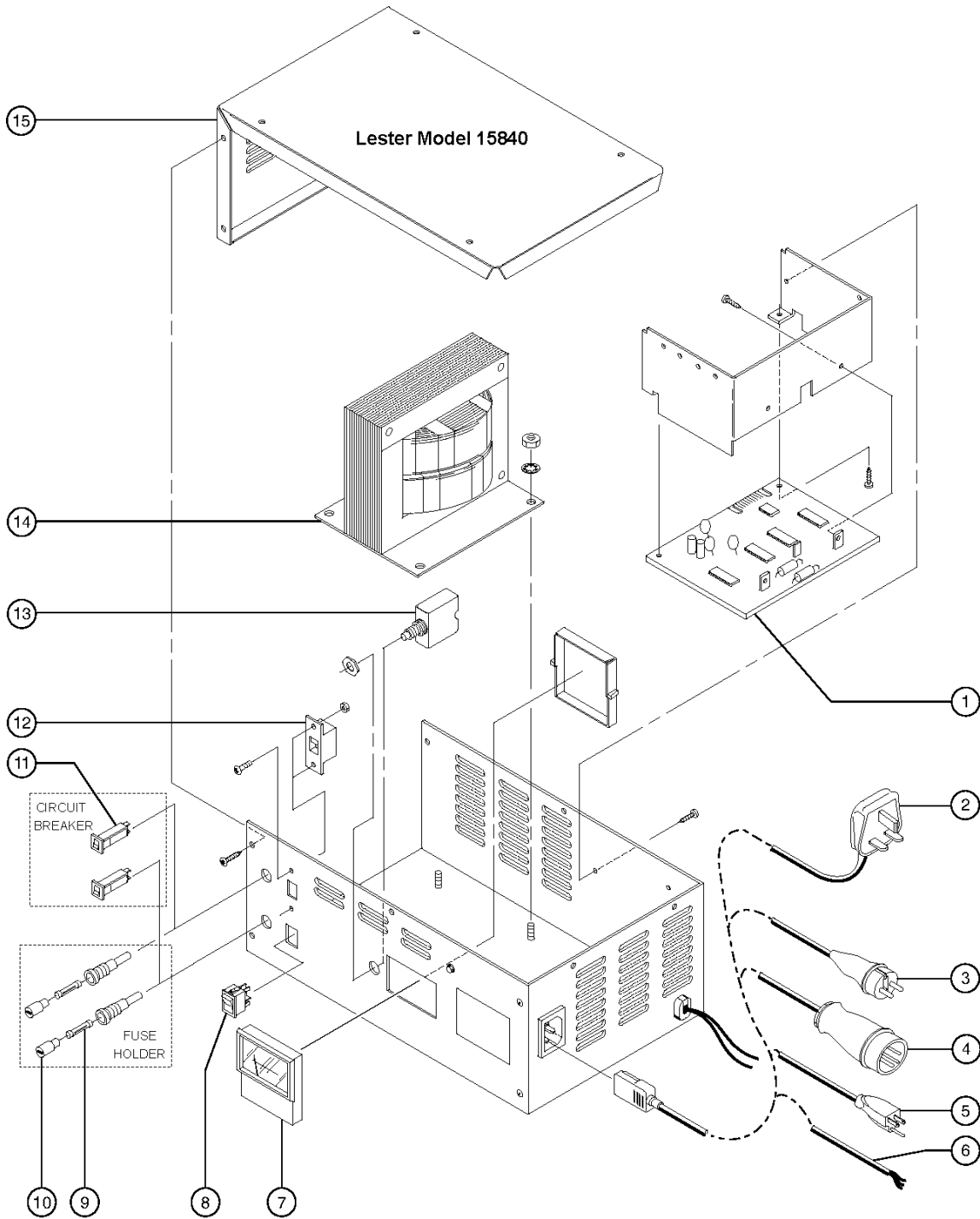
403.1 Battery Charger, CE Models



403.1 Battery Charger, CE Models

Item	Part No.	Description	Qty.
--		<i>The Lester charger is no longer available as a replacement charger for the IWP Super Series. Please refer to Fig. 405.1 for the replacement kit part number.</i>	
1	46314GT	CASE ASSY, CE CHARGER, 46588.....1	
2	55018GT	POWER CORD,UK-HIGH VOLTAGE, 8".....1	
2A	100193GT	POWER CORD,UK-HIGH VOLTAGE, 98" (98 inches)	
3	55019GT	POWER CORD,NOVON, 8".....1	
3A	100194GT	POWER CORD,NOVON, 98" (98 inches)	
4	71706GT	POWER CORD, UK 110, 115".....1 (includes item 6)	
4A	144161GT	PLUG,PWR,UK,16AMP,3PIN,BLK to SN IWP12-8915	
4B	144161GT	PLUG,PWR,UK,16AMP,3PIN,BLK from SN IWP12-8916	
5	55021GT	POWER CORD,US 110, 8".....1 (8.25 inch)	
5A	100195GT	POWER CORD,US 110, 79" (79 inches)	
6	48282GT	POWER CORD, IEC 320 BLANK, 79".....1	
7	46308GT	CAPACITOR, CE CHARGER, 46588.....1	
8	46309GT	TIMER ASSY,ELECTRONIC,CE CHARG.....1	
9	46310GT	RELAY,CHARGER CE, 46588.....1	
10	46312GT	CIRCUIT BREAKER,INPUT CE CHARG.....2 250V AC, 3A	
11	46311GT	CIRCUIT BREAKER,OUTPUT CE CHAR.....2 250V AC, 15A	
12	38174GT	SWITCH-POWER,CHARGER, DP/DT....1	
13	38166GT	AMMETER, 12 AMP.....1	
14	38173GT	SWITCH, VOLTAGE.....1	
15	27262GT	HEATSINK ASSY W/DIODES (23442)....1	
16	46317GT	TRANSFORMER, CE CHARGER, 46588.....1	

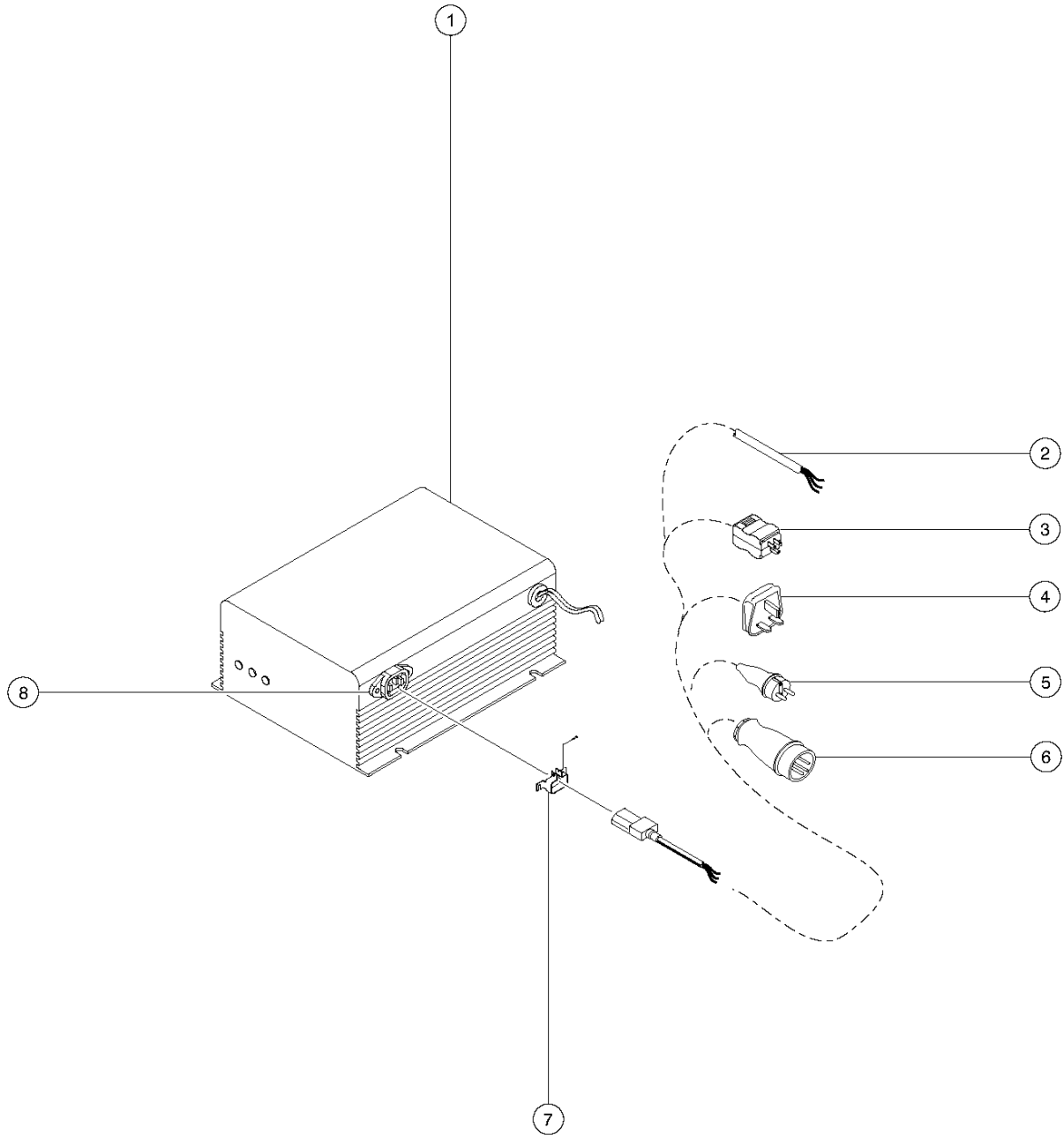
404.1 Battery Charger, Worldwide, Lester Model



404.1 Battery Charger, Worldwide, Lester Model

Item	Part No.	Description	Qty.
--		<i>The Lester charger is no longer available as a replacement charger for the IWP Super Series. Please refer to Fig. 405.1 for the replacement kit part number.</i>	
1	38165GT	TIMER, ELECTRONIC.....	1
2	55018GT	POWER CORD,UK-HIGH VOLTAGE, 8"..... <i>(220V AC Plug) (8.25 inches)</i>	1
2A	100193GT	POWER CORD,UK-HIGH VOLTAGE, 98"..... <i>(220V AC Plug) (98 inches)</i>	
3	55019GT	POWER CORD,NOVON, 8".....	1
		<i>(220V AC Plug) (8.25 inches)</i>	
3A	100194GT	POWER CORD,NOVON, 98"..... <i>(220V AC Plug) (98 inches)</i>	
4	71706GT	POWER CORD, UK 110, 115".....	1
		<i>(British 3 Pin, 110V AC Plug) (78 inch) (includes item 6)</i>	
4A	144161GT	PLUG,PWR,UK,16AMP,3PIN,BLK to SN IWP12-8915	
4B	144161GT	PLUG,PWR,UK,16AMP,3PIN,BLK from SN IWP12-8916	
5	55021GT	POWER CORD,US 110, 8".....	1
		<i>(AC plug, 8.25 inches)</i>	
5A	100195GT	POWER CORD,US 110, 79"..... <i>(AC plug, 79 inches)</i>	
6	48282GT	POWER CORD, IEC 320 BLANK, 79".....	1
		<i>(no plug)</i>	
7	38166GT	AMMETER, 12 AMP.....	1
8	38174GT	SWITCH-POWER,CHARGER, DP/DT....	1
9	33551GT	FUSE,3 AMP.....	2
		<i>(models produced before 12/1/98) (250V AC)</i>	
10	24036GT	FUSE HOLDER, CHARGER.....	2
		<i>(models produced before 12/1/98)</i>	
11	69231GT	CIRCUIT BREAKER,2AMP,WW.....	2
		<i>(models produced after 11/30/98)</i>	
12	38173GT	SWITCH, VOLTAGE.....	1
13	38175GT	CIRCUIT BREAKER-LESTER CHARGER.....	1
		<i>(30A) (includes mounting fastener)</i>	
14	38172GT	TRANSFORMER, CHARGER (31188)....	1
15	41288GT	POWER OPTION 12VDC, CWP/SP.....	1

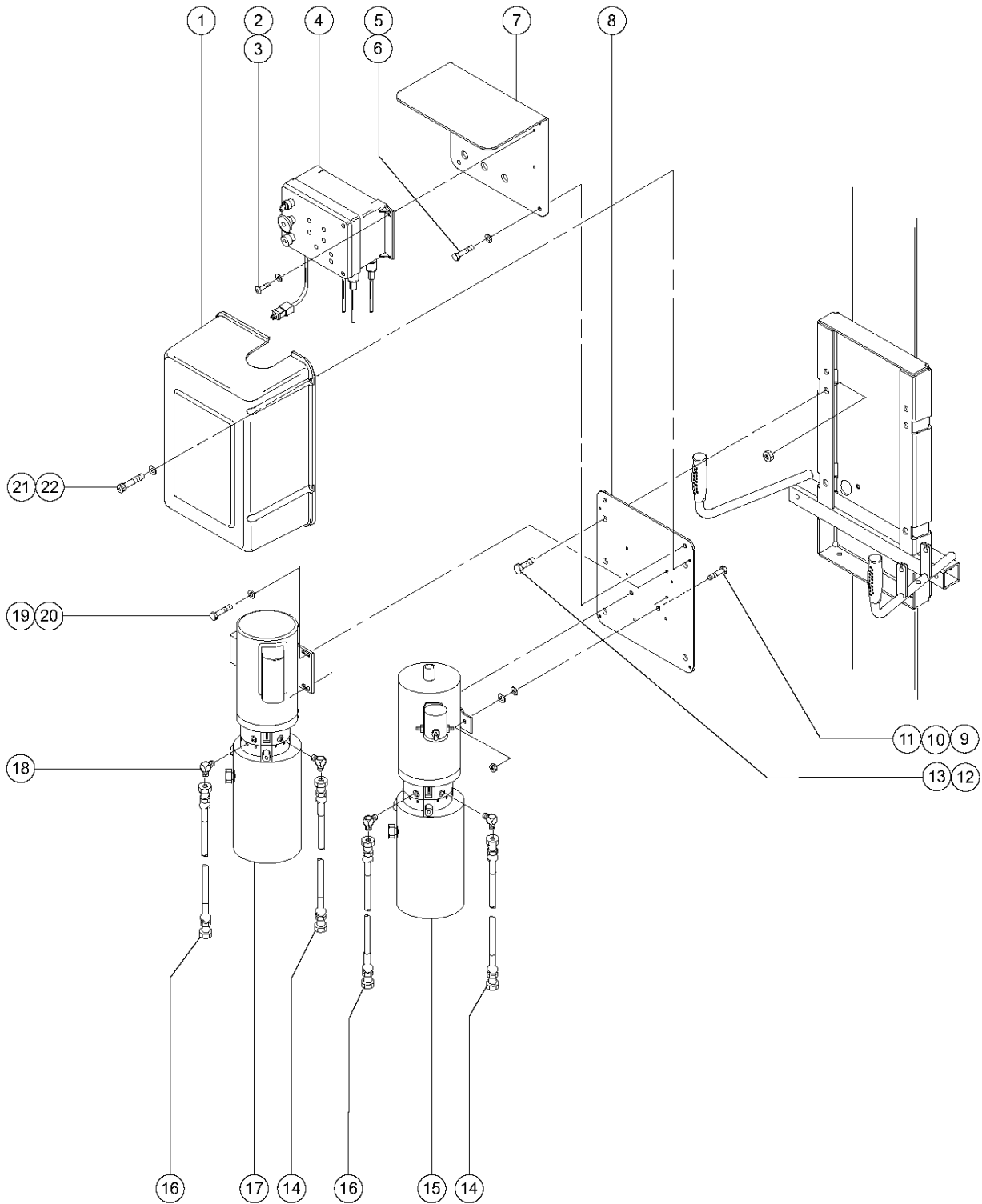
405.1 Battery Charger, World Wide, Signet Model



405.1 Battery Charger, World Wide, Signet Model

Item	Part No.	Description	Qty.
--	85460GT	MANUAL, SIGNET CHARGER - 80990	
1	80990GT	CHARGER,12VDC HI/LO, AWP/IWP.....1 (sealed, 110/220V AC) (power cord not included)	
--	80889GT	KIT,CHARGER,AWP/IWP*** (Signet) (cord must be ordered separately; see item 9 below)	
--	97059GT	FUSE,BATTERY CHARGER***	
2	48282GT	POWER CORD, IEC 320 BLANK, 79".....1 (79 inches)	
3	55021GT	POWER CORD,US 110, 8".....1 (8.25 inches)	
3A	100195GT	POWER CORD,US 110, 79" (79 inches)	
4	55018GT	POWER CORD,UK-HIGH VOLTAGE, 8".....1 (British 3 pin, 8.25 inches)	
4A	100193GT	POWER CORD,UK-HIGH VOLTAGE, 98" (British 3 pin, 98 inches)	
5	55019GT	POWER CORD,NOVON, 8".....1 (European 2 pin, 220V AC plug, 8.25 inches)	
5A	100194GT	POWER CORD,NOVON, 98" (European 2 pin, 220V AC plug, 98 inches)	
6	71706GT	POWER CORD, UK 110, 115".....1 (3 pin, 78 inches) (includes item 2)	
6A	144161GT	PLUG,PWR,UK,16AMP,3PIN,BLK to SN IWP12-8915	
6B	144161GT	PLUG,PWR,UK,16AMP,3PIN,BLK from SN IWP12-8916	
7	55010GT	LOCK, CONNECTOR.....1	
8	46440GT	CONNECTOR,IEC 320 INLET.....1	
--	46441GT	PIN,CONNECTOR,IEC320	
9A	55021GT	POWER CORD,US 110, 8" US models (for 80889)	
9B	71706GT	POWER CORD, UK 110, 115" UK 110V (for 80889)	
9C	55018GT	POWER CORD,UK-HIGH VOLTAGE, 8" UK/AUS 220V (for 80889)	
9D	55019GT	POWER CORD,NOVON, 8" EURO 220V (for 80889)	

406.1 Power Unit Installation

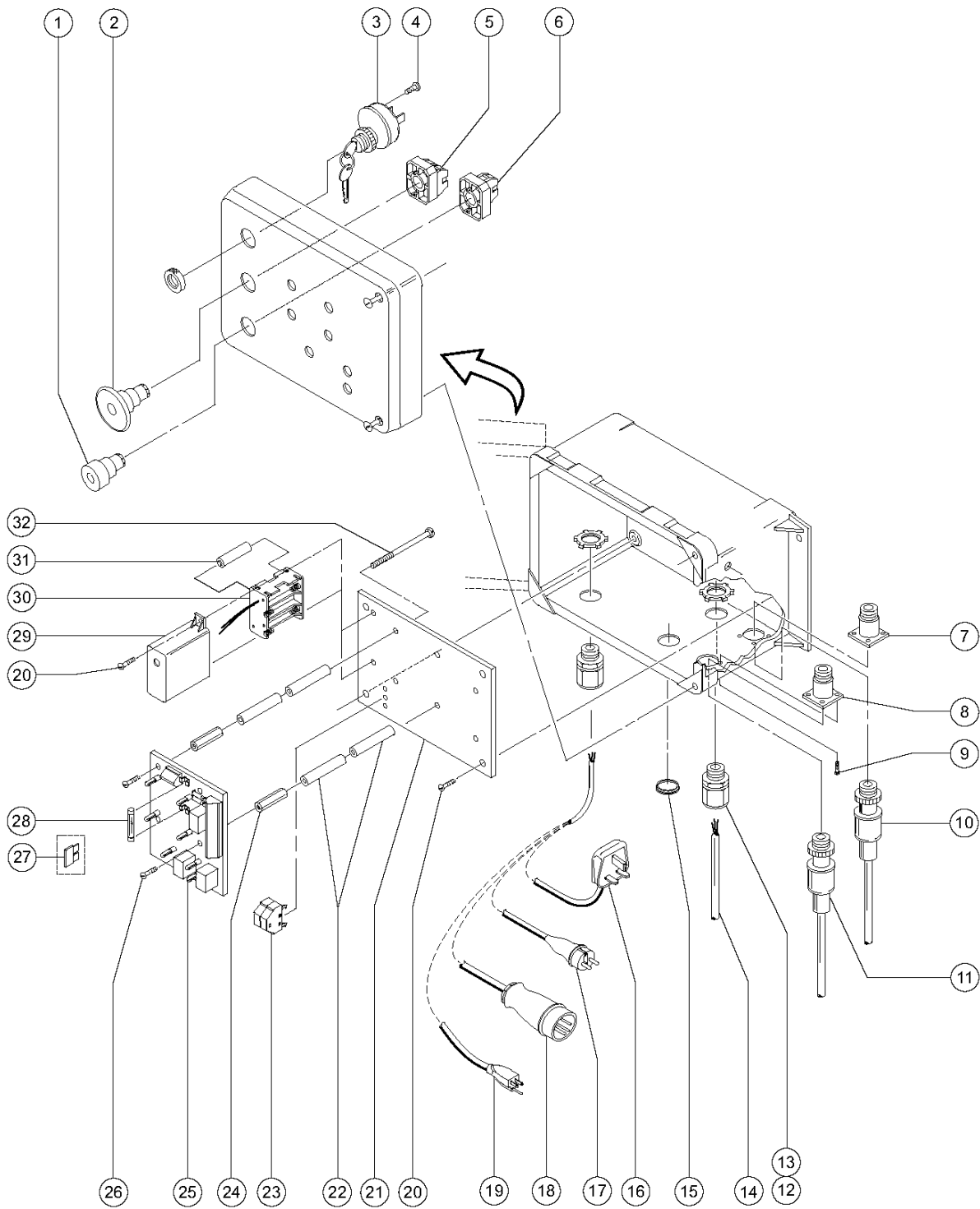


406.1 Power Unit Installation

Item	Part No.	Description	Qty.	Item	Part No.	Description	Qty.
--		<i>The power pack may need to be updated to the requirements of the specific year and model; to order, please supply the factory with the machine serial number</i>		--	107058GT	PWR PACK,85VAC,3-POS KEYSWTC (from SN IWP04-5498) (power pack with symbol decals and 3 position key switch) (includes items 1 to 8 and 17 to 22)	
--	40281GT	PWR PACK,110VAC,2-POS KEYSWTC (to SN IWP02-4300) (power pack with decals and 2 position key switch) (includes items 1, 7 and 8)		--	107060GT	PWR PACK,220VAC,3-POS KEYSWTC (from SN IWP04-5498) (power pack with symbol decals and 3 position key switch) (includes items 1 to 8 and 17 to 22)	
--	107056GT	PWR PACK,85VAC,2-POS KEYSWTC (to SN IWP02-4300) (power pack with decals and 2 position key switch) (includes items 1, 7 and 8)		--	107061GT	PWR PACK,12VAC,3-POS KEYSWTC (from SN IWP04-5498) (power pack with symbol decals and 3 position key switch) (includes items 1 to 8 and 17 to 22)	
--	40282GT	PWR PACK 220VAC,2-POS KEYSWTC (to SN IWP02-4300) (power pack with decals and 2 position key switch) (includes items 1, 7 and 8)		1	124649GT	COVER,MOTOR W/WORDS,AWP/IW....1 (USA, CSA and AUS models) (Asia, South America and European models)	
--	80482-SGT	PWR PACK,12VDC,3-POS KEYSWTC (to SN IWP02-4300) (power pack with decals and 3 position key switch) (includes items 1, 7 and 8)		1A	124650GT	COVER,MOTOR W/SYMBOL,AWP/IWP (Asia, South American and European models) (from SN IWP04-5498)	
--	85378GT	PWR PACK,110VAC,3-POS KEYSWIT* (from SN IWP02-4301) (USA, Canadian and Australian models) (power pack with word decals and 3 position key switch) (includes items 1, 7 and 8)		2	12011GT	SCREW,BHHS,1/4-20 X .5,Y/ZINC	
--	107057GT	PWR PACK,85VAC,3-POS KEYSWTC (from SN IWP02-4301) (USA, Canadian and Australian models) (power pack with word decals and 3 position key switch) (includes items 1, 7 and 8)		3	6356GT	WASHER,LOCK,.25	
--	80484-SGT	PWR PACK,220VAC,3-POS KEYSWTC (from SN IWP02-4301) (USA, Canadian and Australian models) (power pack with word decals and 3 position key switch) (includes items 1, 7 and 8)		4		Ref. Ground Controls (refer to 407.1 or 408.1)	
--	85378GT	PWR PACK,110VAC,3-POS KEYSWIT* (from SN IWP02-4301 to IWP04-5497) (Asia, South America, and European Models) (power pack with word decals and 3 position key switch) (includes items 1, 7 and 8)		5	33681GT	SCREW,HHC,3/8-16 X .625	
--	107057GT	PWR PACK,85VAC,3-POS KEYSWTC (from SN IWP02-4301 to IWP04-5497) (Asia, South America, and European Models) (power pack with word decals and 3 position key switch) (includes items 1, 7 and 8)		6	6021GT	WASHER,LOCK,.375	
--	80484-SGT	PWR PACK,220VAC,3-POS KEYSWTC (from SN IWP02-4301 to IWP04-5497) (Asia, South America, and European Models) (power pack with word decals and 3 position key switch) (includes items 1, 7 and 8)		7	37765-SGT	PLATE,CONTROL BOX,"BLUE".....1	
--	107059GT	PWR PACK,110VAC,3-POS KEYSWIT (from SN IWP04-5498) (power pack with symbol decals and 3 position key switch) (includes items 1 to 8 and 17 to 22)		8	37764-SGT	PLATE,MOTOR MOUNT,"BLUE".....1	
				9	6175GT	SCREW,HHC,3/8-16 X 1	
				10	5397GT	WASHER,FLAT,USS,5/16",Y	
				11	7713GT	NUT, LP NYLOCK, 3/8-16	
				12	10597GT	SCREW,HHC,1/2-13 X 1.25 GR5	
				13	6198GT	NUT,NYLOCK,1/2-13	
				14		Ref. Hydraulic Hose Assembly (refer to 605.1, 606.1, 606.2, or 606.3)	
				15		Ref. DC Hydraulic Power Unit (refer to 603.1)	
				16		Ref. Hydraulic Hose Assembly (refer to 605.1, 606.1, 606.2, or 606.3)	
				17		Ref. AC Hydraulic Power Unit (refer to 603.1)	
				18		Ref. Fitting (refer to 605.1, 606.1, 606.2 or 606.3)	
				19	7339GT	SCREW, HHC, 1/4-20 X .5	
				20	6638GT	WASHER,FLAT,USS,1/4"Y	
				21	40004GT	SCREW,SHC,1/4-20 X .375 BLK	
				22	14295GT	WASHER,SHIM,.265 X .5 X .030	



407.1 Ground Controls, DC Models



407.1 Ground Controls, DC Models

Item	Part No.	Description	Qty.	Item	Part No.	Description	Qty.
--	40283GT	GROUND CNTRL.BOX ASSY 12VDC*** <i>(to SN 4300) (2 position key switch)</i>		3A	66811GT	KEYSWITCH,3POS.MNTND.DR WKEY**1 <i>(from SN 4301 to 5110)includes keyswitch and two keys, not included: base and contacts.</i>	
--	40278GT	GROUND CNTRL.BOX W/DECALS DC** <i>(includes part number 69847 in item 22)</i>		--	66814GT	BASE,WITH 2 N.O. CONTACTS*** <i>(from SN 4301 to 5110)</i>	
--	85276GT	GROUND CNTRL.BOX ASSY 12VDC*** <i>(from SN 4301)</i>		--	66816GT	CONTACT,N.O.*** <i>(from SN 4301 to 5110)</i>	
--	107167GT	GROUND CNTRL BOX ASSEMBLY,DC** <i>(housing only) (from SN AWP02-21811) (includes part number 69847, see item 22)</i>		--	96011GT	KIT, KEYSWITCH***1 <i>(from SN 4301 to 5110)</i>	
1	124644GT	KIT,A/IWP/DPL,BKPSH ZA2 TO ZB5.....1 <i>(to to SN IWP02-4300) (this is an update kit which contains the components listed in item 1A; the original black push button is no longer available. If this kit has already been installed on unit, components may be ordered individually)</i>		3B	96008-SGT	KEYSWITCH,3 POS. W/KEYS***1 <i>(from SN 4301)</i>	
1A	80076GT	BUTTON,PUSH,BLACK W/SEAL <i>(from SN 4301)</i>		--	85239GT	NUT,RETAINER (96008) <i>(from SN 4301)</i>	
--	66815GT	BASE, W/1 N.O. CONTACTS*** <i>(from SN 4301)</i>		4	96010GT	SCREW,PHILLIPS,PHM,8-32 X.25**	
--	66816GT	CONTACT,N.O.*** <i>(from SN 4301)</i>		5		Ref. Red E-stop Button.....1 <i>(to SN 4300) (refer to item number 2)</i>	
--	66821GT	BASE,WITHOUT CONTACTS <i>(from SN 4301)</i>		6		Ref. Black Push Button.....1 <i>(to SN 4300) (refer to item number 1)</i>	
2	124641GT	KIT,ESTOP, A/IWP/DPL.....1 <i>(to to SN IWP02-4300) (this is an update kit which contains the components listed in item 2A; the original E-Stop is no longer available. If this kit has already been installed on unit, components may be ordered individually)</i>		7	38217GT	HARNESS,WIRE-CONTROL. S SERIES.....1	
2A	66812GT	BUTTON,PUSH,RED MUSHROOM HEAD <i>(from SN 4301)</i>		8	38216GT	HARNESS,WIRE-INTRLOCK.S SERIES.....1	
--	66817GT	BASE WITH 1 NC CONTACT, E-STOP <i>(from SN 4301) (base with NC contact)</i>		9	10153GT	SCREW,PHIL,PHM,6-32X.38,SF.TAP8	
--	66818GT	CONTACT,NC <i>(from SN 4301)</i>		10		Ref. Power Cable Assembly, Ground Controls to Platform <i>(refer to 411.1, 412.1 or 413.1)</i>	
--	66821GT	BASE,WITHOUT CONTACTS <i>(from SN 4301)</i>		11		Ref. Power Cable Assembly, Ground Controls to Base <i>(refer to 411.1, 412.1 or 413.1)</i>	
3	124642GT	KIT,KEYSWITCH, A/IWP/DPL,2PKS.....1 <i>(to SN IWP02-4300) (this is an update kit which contains the components listed in item 3; the original key switch is no longer available. If this kit has already been installed on unit, components may be ordered individually)</i>		12	7056GT	CONN, SQZ, 1/2NPT .38-.50, SM**2	
--	21982GT	KEY,SINGLE***		13	6935GT	LOCKNUT,ELEC,1/2".....2	
--	37947GT	KEYS,10 PACK***		14	124645GT	CABLE ASY,AWP.GCBOX TO MOTOR.....1	
--	58462GT	KEYSWITCH,2POS.MNTND W/BASE** <i>(to SN 4300)</i>		15	33605GT	PLUG,NYLON .812 BLACK DOMED.....1	
--	66816GT	CONTACT,N.O.*** <i>(to SN 4300)</i>		16	25388GT	PLUG,FUSED,250V,13AMP,U.K.**1	
				17	1280665GT	PLUG, TYPE F, 230A, 50HZ, 16A, IP44.....1	
				18	144161GT	PLUG,PWR,UK,16AMP,3PIN,BLK.....1	
				18A	144161GT	PLUG,PWR,UK,16AMP,3PIN,BLK.....1 <i>to SN IWP12-8915</i>	
				18B	144161GT	PLUG,PWR,UK,16AMP,3PIN,BLK <i>from SN IWP12-8916</i>	
				19	124646GT	CABLE ASY,A/IWP/DPL,PWR INPUT1	
				20	31182GT	SCREW,PHIL,PHM,10-32 X.38,SEMS	
				21	37704GT	PLATE,PANEL,AWP95.....1	
				22	33582GT	SPACER,TRANSFORMER**12 <i>(to SN 3693)</i>	
				22A	69847GT	SPACER, TRANSFORMER** <i>(from SN 3694 to 4413)</i>	

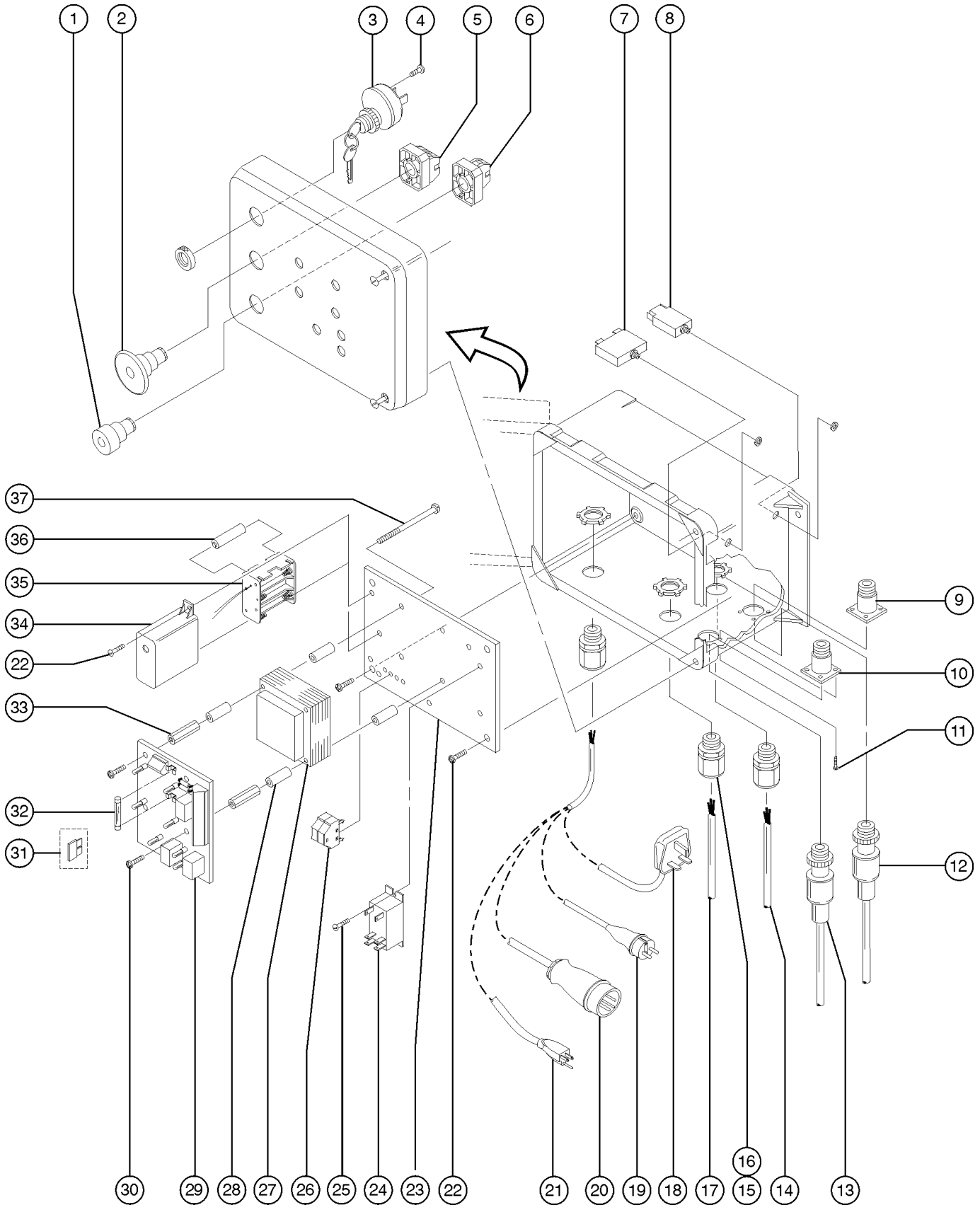


407.1 Ground Controls, DC Models (continued)

Item	Part No.	Description	Qty.
--		<i>IWP Super Series models were produced using two different terminal block assemblies in the ground control box. Refer to the specific terminal block assembly to determine the correct replacement parts or call the factory for assistance.</i>	
23		TERM.STRIP ASSY.CONRL BOX-DC** (43621).....1 <i>(component no longer available)</i>	1
--	40334GT	TERMINAL,4 CONDUCTOR <i>(to SN 4504)</i>	
--	40336GT	TERMINAL,END PLATE <i>(to SN 4504)</i>	
23A	80709GT	TERMINAL ASSY, CONTROL BOX, DC.....1 <i>(from SN 4505)</i>	1
--	80705GT	TERMINAL, END PLATE <i>(from SN 4505)</i>	
--	80706GT	TERMINAL, 2 CONDUCTOR <i>(from SN 4505)</i>	
--	80707GT	TERMINAL, 4 CONDUCTOR <i>(from SN 4505)</i>	
24	33585GT	NUT,COUPLER,10-24 X .75.....4	4
25	1257696GT	PCB,ASSY,AWP/IWP/DPL/CWP.....1 <i>(includes item 28)</i>	1
26	21018GT	SCREW,PHIL,PHM,10-24 X.38,SEMS	
--		<i>IWP Super Series models were produced using three different fuses on the circuit board in the ground control box. Refer to the specific circuit board revision to determine the correct fuse type.</i>	
27	69864GT	FUSE,5 AMP,ATC.....1	1
28	35039GT	FUSE,5 AMP.....1 <i>(to SN 4300) (with circuit board revision E and lower)</i>	1
28A	80711GT	FUSE,7.5 AMP,ATC.....1 <i>(to SN 4300) (with circuit board revision F and higher)</i>	1
28B	80711GT	FUSE,7.5 AMP,ATC.....1 <i>(from SN 4301)</i>	1
29	38583GT	COVER,BATTERY.....1	1
30	38017GT	BATTERY HOLDER.....1	1
31A	38018GT	BATTERY,AA,1.5V.....8	8
31B	145047GT	BATTERY,AA,1.5V,CE.....8 <i>will also work for ANSI</i>	8
32	33587GT	SCREW,RHM,10-24 X 3** <i>(to SN 4001-3693)</i>	
32A	69845GT	SCREW,RHM 10-24 X 2.75** <i>(from SN 4001-3694)</i>	

This Page Intentionally Left Blank

408.1 Ground Controls, AC Models



408.1 Ground Controls, AC Models

Item	Part No.	Description	Qty.	Item	Part No.	Description	Qty.
--	40279GT	GROUND CNTRL.BOX ASSY.110 AC** <i>(to SN 4300) (models with 2 position key switch)</i>		--	66817GT	BASE WITH 1 NC CONTACT, E-STOP <i>(from SN 4301) (with NC contact)</i>	
--	69290GT	GRND CNTRL BOX ASSY,85V AC,JA* <i>(to SN 4300 (models with 2 position key switch)</i>		--	66818GT	CONTACT,NC <i>(from SN 4301)</i>	
--	40280GT	GROUND CNTRL.BOX ASSY.220 AC** <i>(to SN 4300 (models with 2 position key switch)</i>		--	66821GT	BASE,WITHOUT CONTACTS <i>(from SN 4301)</i>	
--	40277GT	GROUND CNTRL.BOX W/DECALS,AC** <i>(to SN 4300) (includes Genie part number 69846 in item 27; models with 2 position key switch)</i>		3	124642GT	KIT,KEYSWITCH, A/IWP/DPL,2PKS.....1 <i>(to SN IWP02-4300) (this is an update kit which contains the components listed in item 3; the original key switch is no longer available. If this kit has already been installed on unit, components may be ordered individually)</i>	
--	85318GT	GROUND CNTRL.BOX ASSY,110 AC** <i>(from SN 4301 to 7367) (models with 3 position key switch)</i>		--	21982GT	KEY,SINGLE*** <i>(to SN 4300)</i>	
--	115149GT	GROUND CNTRL BOX ASSY,110 AC** <i>(from SN 7368) (models with 3 position key switch)</i>		--	37947GT	KEYS,10 PACK*** <i>(to SN 4300)</i>	
--	85369GT	GRND CNTRL BOX ASSY,85 V, JA* <i>(from SN 4301 to 7367) (Japanese models; models with 3 position key switch)</i>		--	58462GT	KEYSWITCH,2POS.MNTND W/BASE** <i>(to SN 4300)</i>	
--	115150GT	GROUND CNTRL BOX ASSY,85V AC** <i>(from SN 7368) (Japanese models)</i>		--	66816GT	CONTACT,N.O.*** <i>(to SN 4300)</i>	
--	85320GT	GROUND CNTRL.BOX ASSY 220VAC** <i>(from SN 4205 to 7367) (models with 3 position key switch)</i>		3A	96011GT	KIT, KEYSWITCH*** <i>(from SN 4301 to 5110) (includes item 4)</i>	
--	115151GT	GROUND CNTRL BOX ASSY 220VAC <i>(from SN 7368)</i>		--	85315GT	INSTRUCTIONS,INSTALL (96011) <i>(from SN 4301 to 5110)</i>	
--	85473GT	GROUND CNTRL BOX W/DECALS,AC** <i>(includes item 28)</i>		3B	96008-SGT	KEYSWITCH,3 POS. W/KEYS***1 <i>(from SN 5111 to 7367) (shown; includes 2 pairs of keys)</i>	
1	124644GT	KIT,A/IWP/DPL,BKPSH ZA2 TO ZB5.....1 <i>(to to SN IWP02-4300) (this is an update kit which contains the components listed in item 1A; the original black push button is no longer available. If this kit has already been installed on unit, components may be ordered individually)</i>		--	83093GT	KEY SINGLE*** <i>(from SN 5111 to 7367)</i>	
1A	80076GT	BUTTON,PUSH,BLACK W/SEAL <i>(from SN 4301)</i>		--	85239GT	NUT,RETAINER (96008) <i>(from SN 7368)</i>	
--	66815GT	BASE, W/1 N.O. CONTACTS*** <i>(from SN 4301) (with NO contact)</i>		3C	124121GT	KEYSWITCH,3 POS.W/KEYS & BASE <i>(from SN 7368)</i>	
--	66816GT	CONTACT,N.O.*** <i>(from SN 4301)</i>		--	66816GT	CONTACT,N.O.*** <i>(from SN 7368)</i>	
--	66821GT	BASE,WITHOUT CONTACTS <i>(from SN 4301)</i>		4	96010GT	SCREW,PHILLIPS,PHM,8-32 X.25**	
2	124641GT	KIT,ESTOP, A/IWP/DPL.....1 <i>(to to SN IWP02-4300) (this is an update kit which contains the components listed in item 2A; the original E-Stop is no longer available. If this kit has already been installed on unit, components may be ordered individually)</i>		5		Ref. Red Emergency Stop Button.....1 <i>(to SN 4300) (refer to update kit, item 2)</i>	
2A	66812GT	BUTTON,PUSH,RED MUSHROOM HEAD <i>(from SN 4301)</i>		6		Ref. Black Push Button.....1 <i>(to SN 4300) (refer to update kit, item 1)</i>	
				7	38021GT	CIRCUIT BREAKER, 8 AMP **1 <i>(to SN 7367)</i>	
				7A	124128GT	CIRCUIT BREAKER,6A.....1 <i>(from SN 7368)</i>	
				7B	124127GT	CIRCUIT BREAKER,3A.....1 <i>(from SN 7368)</i>	
				8	1277226GT	ASSEMBLY,CIRCUIT BREAKER,15AMP	
				8A	124133GT	CIRCUIT BREAKER,8A SP <i>(from SN 7368)</i>	
				9	38217GT	HARNESS,WIRE-CONTROL. S SERIES.....1	

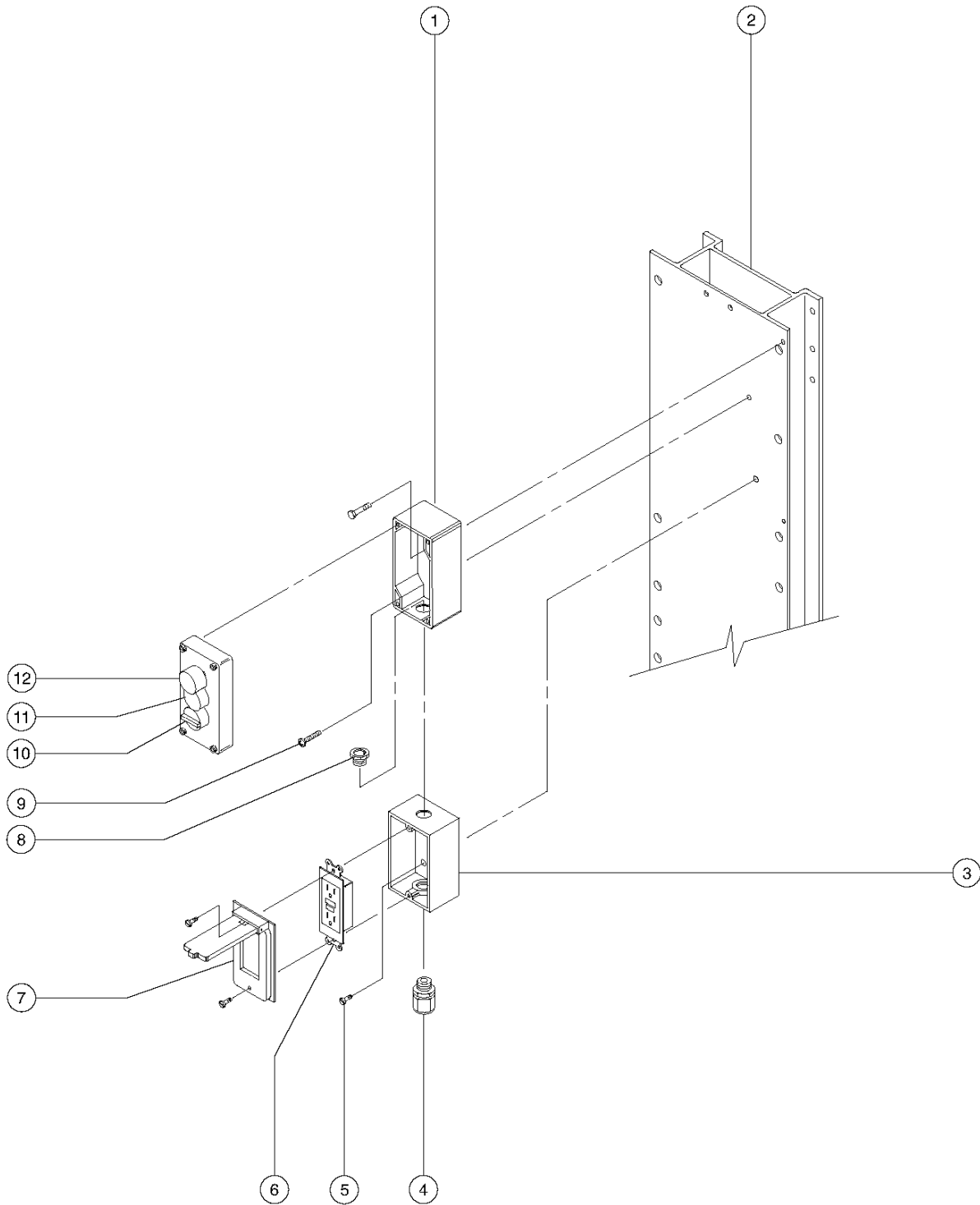


408.1 Ground Controls, AC Models
(continued)

Item	Part No.	Description	Qty.	Item	Part No.	Description	Qty.
--	33578GT	CONNECTOR,MALE,PANEL MOUNT*		28A	69846GT	SPACER, TRANSFORMER, AC.....8 <i>(from SN 3694 to SN 4413)</i>	
10	38216GT	HARNESS,WIRE-INTRLOCK.S SERIES.....1		29	1257696GT	PCB,ASSY,AWP/IWP/DPL/CWP.....1	
--	33581GT	CONNECTOR,FEMALE,PANEL MOUNT*		30	21018GT	SCREW,PHIL,PHM,10-24 X.38,SEMS...4	
11	10153GT	SCREW,PHIL,PHM,6-32X.38,SF.TAP....8		--		<i>IWP Super Series models were produced using two different fuses on the Circuit Board in the ground control box. Refer to the specific Dircuit Board revision to determine the correct fuse type.</i>	
12		Ref. Power Cable Assembly, Ground Controls to Platform <i>(refer to 411.1, 412.1 or 413.1)</i>		31	69864GT	FUSE,5 AMP,ATC.....1	
13		Ref. Power Cable Assembly, Ground Controls to Base <i>(refer to 411.1, 412.1 or 413.1)</i>		32	35039GT	FUSE,5 AMP.....1 <i>(used with circuit board revision E and lower)</i>	
14	43956GT	WIRE CABLE,14/3 CON.TPE JKT*.....26-inches		32A	80711GT	FUSE,7.5 AMP,ATC <i>(used with circuit board revision F and higher)</i>	
15	7056GT	CONN, SQZ, 1/2NPT .38-.50, SM**.....3		32B	80711GT	FUSE,7.5 AMP,ATC <i>(to SN 4300) (used with circuit board revision F and higher)</i>	
16	6935GT	LOCKNUT,ELEC,1/2".....3		33	33585GT	NUT,COUPLER,10-24 X .75.....4	
17	43956GT	WIRE CABLE,14/3 CON.TPE JKT*.....29-inches		34	38583GT	COVER,BATTERY.....1	
18	46608GT	POWER CORD-CONT. BOX UK 220V....1		35	38017GT	BATTERY HOLDER.....1	
19	46609GT	POWER CORD-CONT. BOX EURO 220V.....1		36A	38018GT	BATTERY,AA,1.5V.....8	
20	46610GT	POWER CORD-CONT. BOX UK 110V....1		36B	145047GT	BATTERY,AA,1.5V,CE.....8 <i>will also work for ANSI</i>	
21	35846GT	PIGTAIL,ASSY,AC/DC SJO 14/3**.....1		37	33587GT	SCREW,RHM,10-24 X 3**.....1 <i>(to SN 4001-3693)</i>	
22	31182GT	SCREW,PHIL,PHM,10-32 X.38,SEMS...6		--	85253GT	KIT,SCREW, PCB,GC BOX <i>(contains both 33587 and 69845)</i>	
23	37704GT	PLATE,PANEL,AWP95.....1		37A	69845GT	SCREW,RHM 10-24 X 2.75**.....1 <i>(from SN 4001-3694)</i>	
24	33584GT	RELAY,MOTOR CONTACTOR.....1		--	85253GT	KIT,SCREW, PCB,GC BOX <i>(contains both 33587 and 69845)</i>	
25	20342GT	#6 SQ.DR.SELF DRILL/TAP SCREW					
26	40507GT	TERM.STRIP ASSY.CONTROL BOX-AC.....1 <i>(to SN 4504)</i>					
--	40334GT	TERMINAL,4 CONDUCTOR <i>(to SN 4504)</i>					
--	40335GT	TERMINAL,2 CONDUCTOR <i>(to SN 4504)</i>					
--	40336GT	TERMINAL,END PLATE <i>(to SN 4504)</i>					
26A	80710GT	TERMINAL ASSY, CONTROL BOX, AC.....1 <i>(from SN 4505) (shown)</i>					
--	80705GT	TERMINAL, END PLATE <i>(from SN 4505)</i>					
--	80706GT	TERMINAL, 2 CONDUCTOR <i>(from SN 4505)</i>					
--	80707GT	TERMINAL, 4 CONDUCTOR <i>(from SN 4505)</i>					
27	33586GT	TRANSFORMER (S-SERIES)****.....1					
27A	69623GT	TRANSFORMER, 85V TO 105V, JA <i>(Japanese models)</i>					
28	33582GT	SPACER,TRANSFORMER**.....12 <i>(from SN 3502 to SN 3693)</i>					
28	69846GT	SPACER, TRANSFORMER, AC.....8					

This Page Intentionally Left Blank

409.1 Platform Controls, ANSI Models

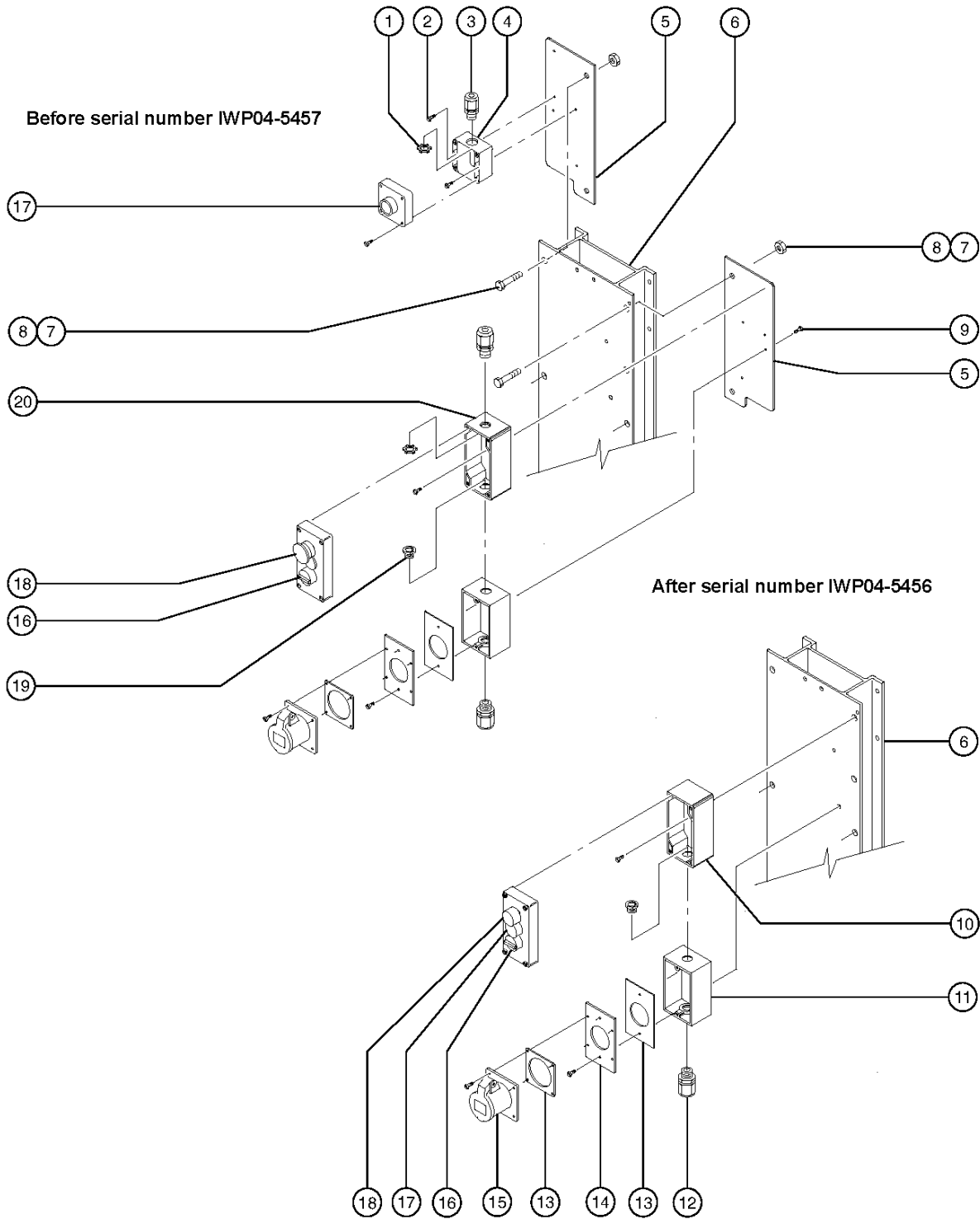


409.1 Platform Controls, ANSI Models

Item	Part No.	Description	Qty.	Item	Part No.	Description	Qty.
1	100256GT	CONTROL BOX,THREE BUTTON		12	124641GT	KIT,ESTOP, A/IWP/DPL.....1 <i>(to SN IWP02-4300) (this is an update kit which contains the components listed below; the original E-Stop button is no longer available. If this kit has already been installed on unit, components may be ordered individually)</i>	1
2		Ref. Carriage Assembly <i>(refer to 305.1 or 306.1)</i>					
3	10775GT	T-BOX, 2.75 x 4.5 x 2.0.....1	1				
4	7057GT	CONN. SQZ,1/2NPT .39-.56 MED.....1	1				
5	21018GT	SCREW,PHIL,PHM,10-24 X.38,SEMS....1	1				
6	13585GT	OUTLET, 110V.....1	1	--	66812GT	BUTTON,PUSH,RED MUSHROOM HEAD.....1 <i>(to SN 4300)</i>	1
7	45437GT	COVER,GFCI,WEATHERPROOF.....1 <i>(includes gasket and mounting fasteners)</i>	1				
7A	10777GT	COVER,BLANK <i>(includes gasket and mounting fasteners)</i>		--	66818GT	CONTACT,NC <i>(to SN 4300)</i>	
8	12456GT	NIPPLE,1/2" CONDUIT.....1 <i>(to SN 4300)</i>	1	--	66821GT	BASE,WITHOUT CONTACTS <i>(to SN 4300)</i>	
8A	80712GT	NIPPLE,1/2" CONDUIT <i>(from SN 4301)</i>		12A	80719GT	BUTTON, STOP, RED.....1 <i>(from SN 4301 to 5456)</i>	1
9	230000GT	SCREW,FHS,10-24X.500.....2	2				
10	124975GT	KIT,BLACK SELECTOR SWITCH.....1 <i>(to SN IWP02-4300) (this is an update kit which contains the components listed below; the original selector switch is no longer available. If this kit has already been installed on unit, components may be ordered individually)</i>	1	--	80715GT	CONTACTOR BLOCK,N.C.....1 <i>(from SN 4301 to 5456)</i>	1
--	66816GT	CONTACT,N.O.*** <i>(to SN 4300)</i>		12B	80713GT	BUTTON,STOP,RED.....1 <i>(from SN 5457)</i>	1
--	66821GT	BASE,WITHOUT CONTACTS <i>(to SN 4300)</i>					
--	80716GT	SWITCH,SELECTOR,BLACK <i>(to SN 4300)</i>		--	80715GT	CONTACTOR BLOCK,N.C.....1 <i>(from SN 5457)</i>	1
10A	80716GT	SWITCH,SELECTOR,BLACK.....1 <i>(from SN 4301)</i>	1				
--	80714GT	CONTACTOR BLOCK,N.O. <i>(from SN 4301)</i>					
11	124644GT	KIT,A/IWP/DPL,BKPSH ZA2 TO ZB5.....1 <i>(to SN IWP02-4300) (this is an update kit which contains the components listed below; the original black push button is no longer available. If this kit has already been installed on unit, components may be ordered individually)</i>	1				
--	66816GT	CONTACT,N.O.*** <i>(to SN 4300)</i>					
--	66821GT	BASE,WITHOUT CONTACTS <i>(to SN 4300)</i>					
--	80076GT	BUTTON,PUSH,BLACK W/SEAL.....2 <i>(to SN 4300)</i>	2				
11A	80076GT	BUTTON,PUSH,BLACK W/SEAL.....1 <i>(from SN 4301)</i>	1				
--	80714GT	CONTACTOR BLOCK,N.O.....2 <i>(from SN 4301)</i>	2				



410.1 Platform Controls, CE Models

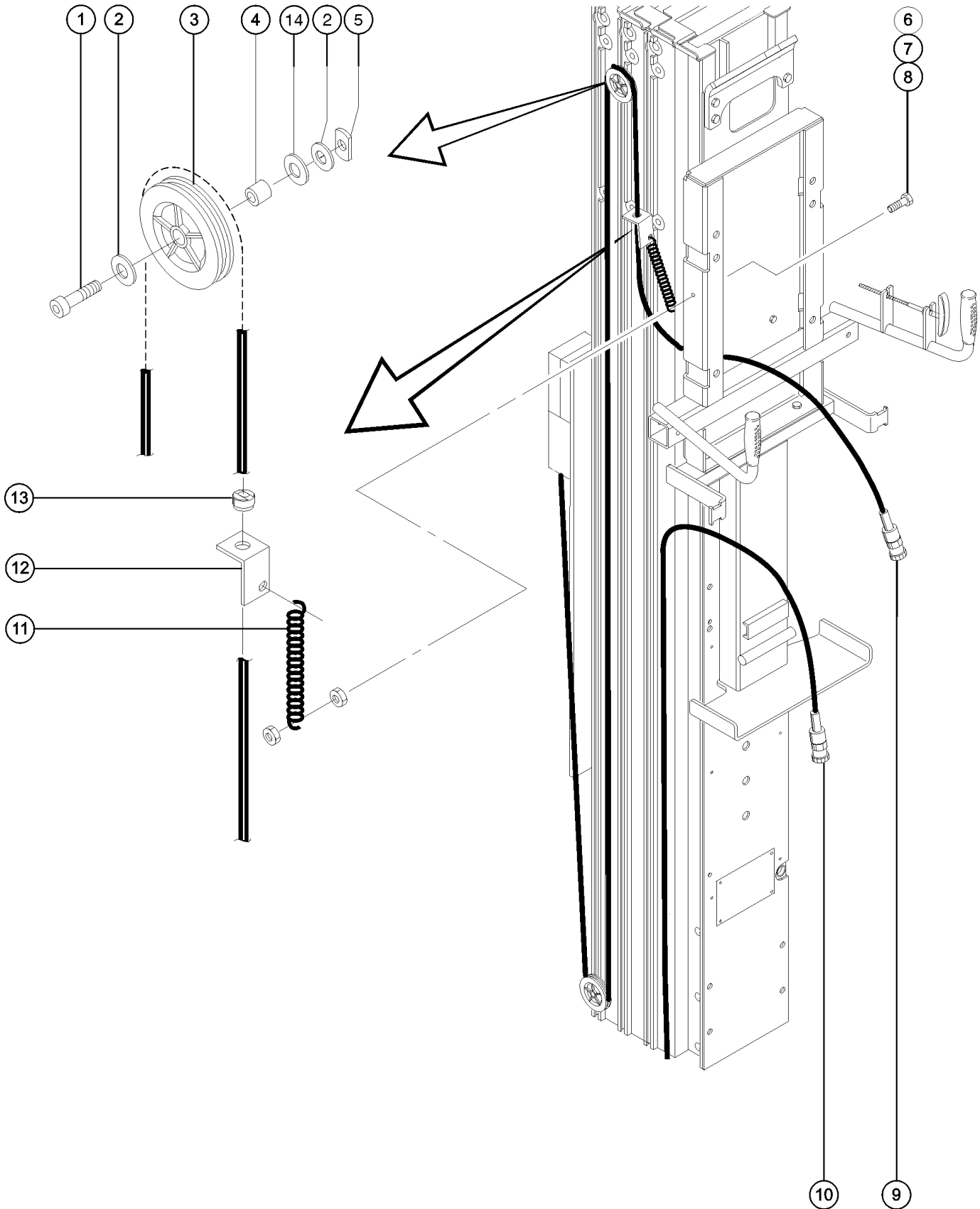


410.1 Platform Controls, CE Models

Item	Part No.	Description	Qty.	Item	Part No.	Description	Qty.
--		<i>IWP Super Series models from IWP02-4301 to IWP04-5456 were produced using three red emergency stop buttons in the platform control box. Refer to the specific control box to determine the correct replacement parts.</i>		--	80076GT	BUTTON,PUSH,BLACK W/SEAL (to SN 4300)	
1	6935GT	LOCKNUT,ELEC,1/2".....	2	17A	80076GT	BUTTON,PUSH,BLACK W/SEAL.....1 (from SN 4301)	
2	230000GT	SCREW,FHS,10-24X.500		--	80714GT	CONTACTOR BLOCK,N.O. (from SN 4301)	
3	7056GT	CONN, SQZ, 1/2NPT .38-.50, SM**.....	1	18	124641GT	KIT,ESTOP, A/IWP/DPL.....1 (to SN 4300)	
4	80071GT	CONTROL BOX, ONE BUTTON, CE		--	66812GT	BUTTON,PUSH,RED MUSHROOM HEAD (to SN 4300)	
5	41546GT	PLATE,CONTROLS MOUNTING.....	2	--	66818GT	CONTACT,NC (to SN 4300)	
6		Ref. Carriage Assembly (refer to 305.1 or 306.1)		--	66821GT	BASE,WITHOUT CONTACTS (to SN 4300)	
7	7713GT	NUT, LP NYLOCK, 3/8-16		18A	80719GT	BUTTON, STOP, RED.....1 (from SN 4301 to 5456)	
8	8255GT	SCREW,HHC,3/8-16 X .75		--	80715GT	CONTACTOR BLOCK,N.C. (from SN 4301 to 5456)	
9	57075GT	SCREW,PHIL,8-32X.50,SELF TAP		18B	80713GT	BUTTON,STOP,RED.....1 (from SN 5457)	
10	100256GT	CONTROL BOX,THREE BUTTON.....1 (from SN 5457)		--	80715GT	CONTACTOR BLOCK,N.C. (from SN 5457)	
11	10775GT	T-BOX, 2.75 x 4.5 x 2.0.....	1	19	12456GT	NIPPLE,1/2" CONDUIT.....1 (to SN 4300)	
12	7057GT	CONN. SQZ,1/2NPT .39-.56 MED.....	1	19A	80712GT	NIPPLE,1/2" CONDUIT (from SN 4301)	
13	33724GT	KIT,GASKET,UK POWER TO PLAT.....1 (includes one each p/n 66355 and 66356)		20	41024GT	SWITCH,3 BUTTON,TUV.....1 (to SN 4300)	
--	66355GT	GASKET, UK & DIN PWR. TO PLAT. 4.6 x 2.9 inches		20A	80071GT	CONTROL BOX, ONE BUTTON, CE (from SN 4301 to 5456)	
--	66356GT	GASKET, UK RECEPTACLE 2.9 x 2.9 inches					
14	33629GT	PLATE,UK POWER TO PLATFORM.....1 to SN IWP12-8915					
14	T112561GT	PLATE,UK,POWER TO PLAT from SN IWP12-8916					
15	T112563GT	SVC KIT,UK RECEPT.REPLACEMENT.....1 (includes item 16)					
16	124975GT	KIT,BLACK SELECTOR SWITCH.....1 (to SN 4300)					
--	66816GT	CONTACT,N.O.*** (to SN 4300)					
--	66821GT	BASE,WITHOUT CONTACTS (to SN 4300)					
--	80716GT	SWITCH,SELECTOR,BLACK (to SN 4300)					
16A	80716GT	SWITCH,SELECTOR,BLACK.....1 (from SN 4301)					
--	80714GT	CONTACTOR BLOCK,N.O. (from SN 4301)					
17	124644GT	KIT,A/IWP/DPL,BKPSH ZA2 TO ZB5.....1 (to SN 4300)					
--	66816GT	CONTACT,N.O.*** (to SN 4300)					
--	66821GT	BASE,WITHOUT CONTACTS (to SN 4300)					



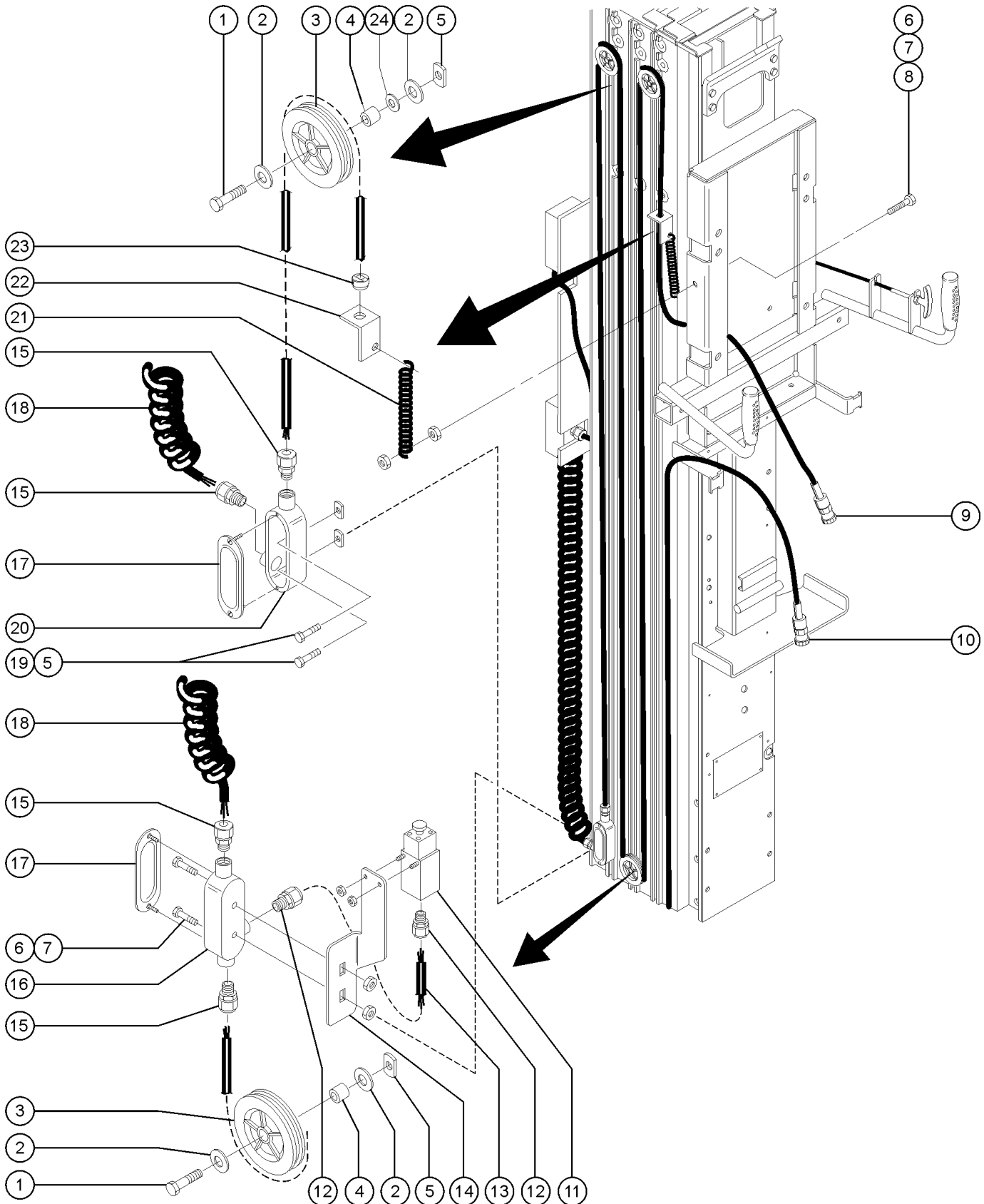
411.1 Control Cable Assembly, IWP-20S and IWP-30S



411.1 Control Cable Assembly, IWP-20S and IWP-30S

Item	Part No.	Description	Qty.
1	8915GT	SCREW,HHC,1/4-20 X 1.25	
2	25926GT	WASHER,FLAT,M6 PLTD.	
2	6638GT	WASHER,FLAT,USS,1/4"Y	
3	23394GT	PULLEY,ELEC.CNTRL.CABLE,AWP.....4 <i>IWP-20S</i>	
3A	23394GT	PULLEY,ELEC.CNTRL.CABLE,AWP.....6 <i>IWP-30S</i>	
4	40735GT	SPACER, 1/4ID3/8OD, .875LG.....4 <i>IWP-20S</i>	
4A	40735GT	SPACER, 1/4ID3/8OD, .875LG.....6 <i>IWP-30S</i>	
5	35991GT	NUT,WELD 1/4-20, PLATED L.L.**	
6	6888GT	SCREW,HHC,1/4-20 X 1	
7	6091GT	NUT,NYLOCK,1/4-20	
8	6889GT	NUT,LP NYLOCK,1/4-20	
9	35049GT	POWER CABLE,MAST TO PLAT.....1 <i>IWP-20S</i>	
--	33590GT	PLUG,CONNECTOR,FEMALE* <i>requires part number 33591; order separately</i>	
--	33591GT	SEAL,CABLE CONNECTOR,HT SHRINK <i>includes heat shrink tubing</i>	
--	83095GT	PIN CONNECTOR,MALE	
9A	41227GT	POWER CABLE,MAST/PLAT.....1 <i>IWP-30S</i>	
10	38211GT	PWR CABLE,MAST/BASE SUP/SERIES.....1 <i>(to SN 1749)</i>	
10A	46078GT	HARNES,CONTROL BOX/BASE IWP <i>(from SN 1750)</i>	
--	33580GT	PIN CONNECTOR,FEMALE ***	
--	33589GT	PLUG,CONNECTOR,MALE* <i>requires part number 33591; order separately</i>	
--	33591GT	SEAL,CABLE CONNECTOR,HT SHRINK <i>includes heat shrink tubing</i>	
11	23396GT	SPRING,CONTROL CABLE, AWP.....1	
12	23787-SGT	BRACKET,CONTROL CABLE TENSION.....1	
13	23788GT	BUSHING,STRAIN RELIEF, 53/64".....1	
14	22699GT	WASHER,FLAT,M10,ZINC PLTD.....1	

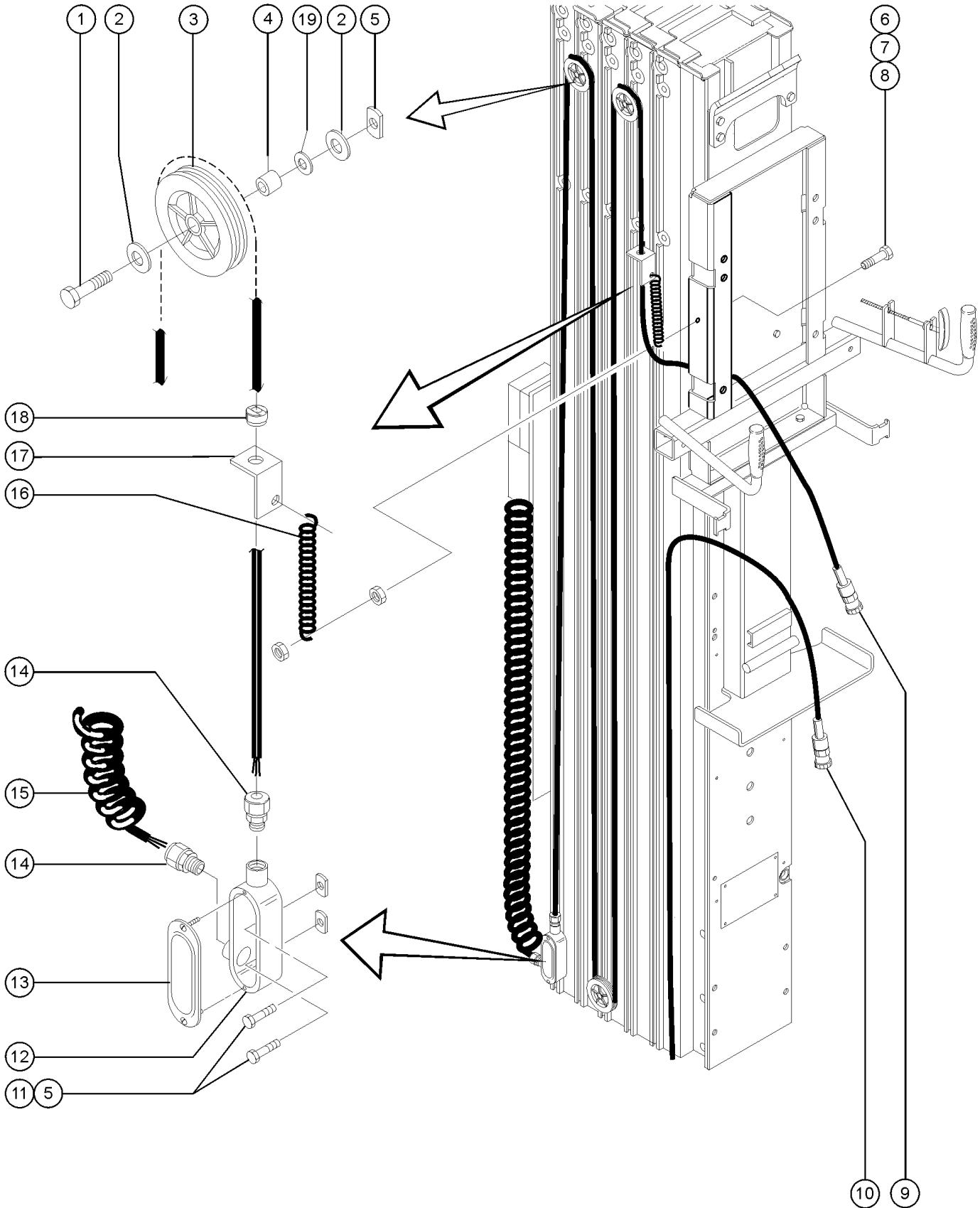
412.1 Control Cable Assembly, IWP-20S with Platform Outreach



412.1 Control Cable Assembly, IWP-20S with Platform Outreach

Item	Part No.	Description	Qty.
1	8915GT	SCREW,HHC,1/4-20 X 1.25	
2	25926GT	WASHER,FLAT,M6 PLTD.	
2	6638GT	WASHER,FLAT,USS,1/4"Y	
3	23394GT	PULLEY,ELEC.CNTRL.CABLE,AWP.....4	
4	40735GT	SPACER, 1/4ID3/8OD, .875LG.....4	
5	35991GT	NUT,WELD 1/4-20, PLATED L.L.**	
6	6888GT	SCREW,HHC,1/4-20 X 1	
7	6091GT	NUT,NYLOCK,1/4-20	
8	6889GT	NUT,LP NYLOCK,1/4-20	
9	35049GT	POWER CABLE,MAST TO PLAT.....1	
--	33590GT	PLUG,CONNECTOR,FEMALE* <i>requires part number 33591; order separately</i>	
--	33591GT	SEAL,CABLE CONNECTOR,HT SHRINK <i>includes heat shrink tubing</i>	
--	83095GT	PIN CONNECTOR,MALE	
10	38211GT	PWR CABLE,MAST/BASE SUP/SERIES.....1 <i>(to SN 1749)</i>	
10A	46078GT	HARNES,CONTROL BOX/BASE IWP <i>(from SN 1750)</i>	
--	33580GT	PIN CONNECTOR,FEMALE ***	
--	33589GT	PLUG,CONNECTOR,MALE* <i>requires part number 33591; order separately</i>	
--	33591GT	SEAL,CABLE CONNECTOR,HT SHRINK <i>includes heat shrink tubing</i>	
11	124104GT	SWITCH,LIMIT.XCKP.ZCP21.....1 <i>(CE models with Platform Outreach Option)</i>	
12	7056GT	CONN, SQZ, 1/2NPT .38-.50, SM**.....2 <i>(CE models with Platform Outreach Option)</i>	
13	1505GT	WIRE CABLE,16/2 SJO,BULK...12-inches <i>(CE models with Platform Outreach Option)</i>	
14	46182-SGT	BRACKET,OUTREACH INTERLK SWTCH.....1 <i>(CE models with Platform Outreach Option)</i>	
15	7057GT	CONN. SQZ,1/2NPT .39-.56 MED.....2	
16	46410GT	OUTLET BOX,TEE (T19).....1 <i>(CE models with Platform Outreach Option)</i>	
17	6633GT	OUTLET BOX CAP.....1	
18	12560GT	COIL CORD,16/6,24"COIL.....1	
19	7339GT	SCREW, HHC, 1/4-20 X .5	
20	40285GT	OUTLET BOX,OVAL,DRILLED (LL19)....1	
21	23396GT	SPRING,CONTROL CABLE, AWP.....1	
22	23787-SGT	BRACKET,CONTROL CABLE TENSION.....1	
23	23788GT	BUSHING,STRAIN RELIEF, 53/64".....1	
24	22699GT	WASHER,FLAT,M10,ZINC PLTD.	

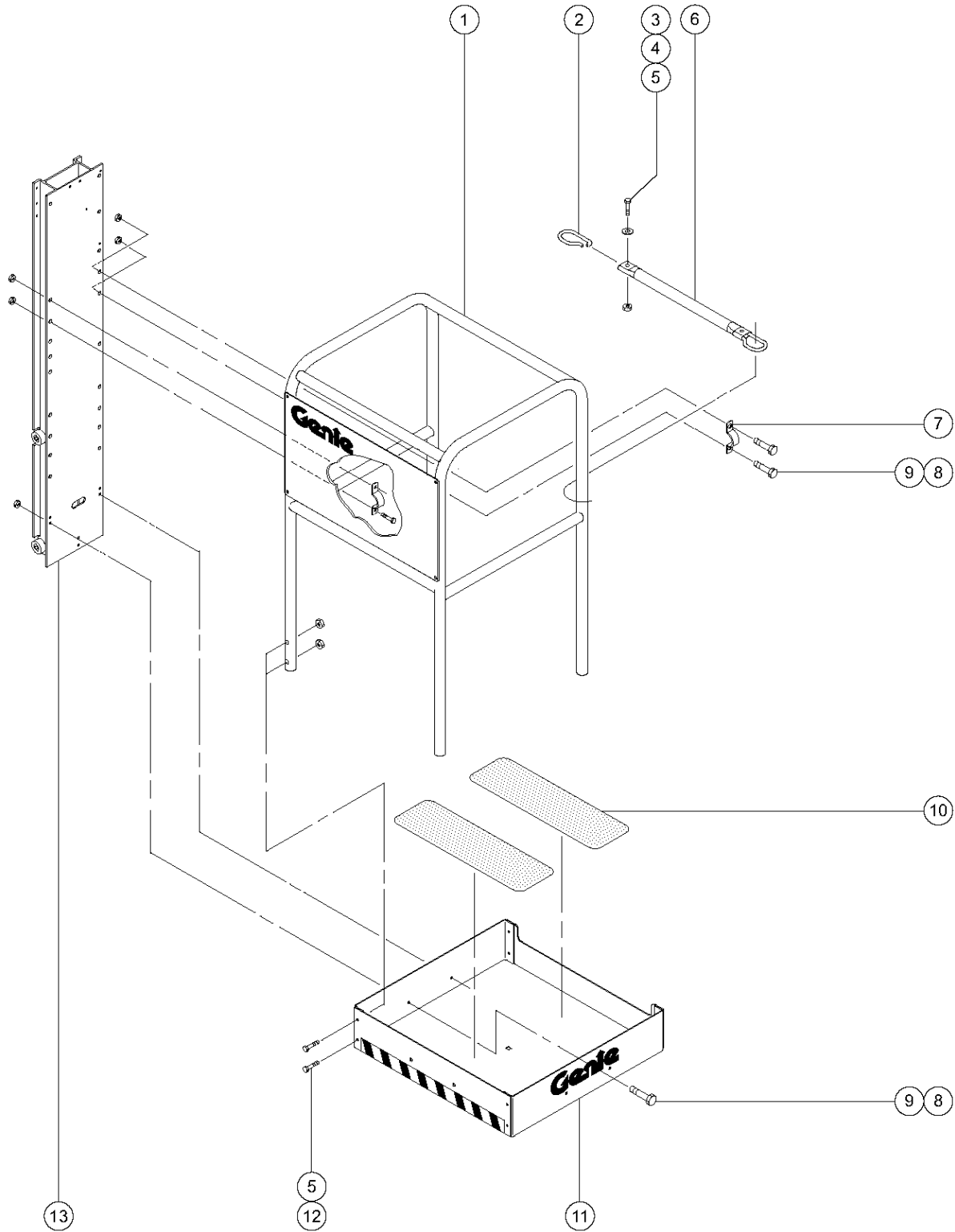
413.1 Control Cable Assembly, IWP-25S



413.1 Control Cable Assembly, IWP-25S

Item	Part No.	Description	Qty.
1	8915GT	SCREW,HHC,1/4-20 X 1.25	
2	25926GT	WASHER,FLAT,M6 PLTD.	
2	6638GT	WASHER,FLAT,USS,1/4"Y	
3	23394GT	PULLEY,ELEC.CNTRL.CABLE,AWP.....3	
4	40735GT	SPACER, 1/4ID3/8OD, .875LG.....3	
5	35991GT	NUT,WELD 1/4-20, PLATED L.L.**	
6	6888GT	SCREW,HHC,1/4-20 X 1	
7	6091GT	NUT,NYLOCK,1/4-20	
8	6889GT	NUT,LP NYLOCK,1/4-20	
9	38207GT	POWER CABLE,MAST TO PLAT,25-S....1 <i>(ground controls to platform)</i>	
--	33590GT	PLUG,CONNECTOR,FEMALE* <i>requires part number 33591; order separately</i>	
--	33591GT	SEAL,CABLE CONNECTOR,HT SHRINK <i>includes heat shrink tubing</i>	
--	83095GT	PIN CONNECTOR,MALE	
10	38211GT	PWR CABLE,MAST/BASE SUP/SERIES.....1 <i>(ground controls to base)</i>	
10A	46078GT	HARNESS,CONTROL BOX/BASE IWP <i>(ground controls to base)</i>	
--	33580GT	PIN CONNECTOR,FEMALE ***	
--	33589GT	PLUG,CONNECTOR,MALE* <i>requires part number 33591; order separately</i>	
--	33591GT	SEAL,CABLE CONNECTOR,HT SHRINK <i>includes heat shrink tubing</i>	
11	7339GT	SCREW, HHC, 1/4-20 X .5	
12	40285GT	OUTLET BOX,OVAL,DRILLED (LL19)....1	
13	6633GT	OUTLET BOX CAP.....1	
14	7057GT	CONN. SQZ,1/2NPT .39-.56 MED.....2	
15	12560GT	COIL CORD,16/6,24"COIL.....1	
16	23396GT	SPRING,CONTROL CABLE, AWP.....1	
17	23787-SGT	BRACKET,CONTROL CABLE TENSION.....1	
18	23788GT	BUSHING,STRAIN RELIEF, 53/64".....1	
19	22699GT	WASHER,FLAT,M10,ZINC PLTD.....1	

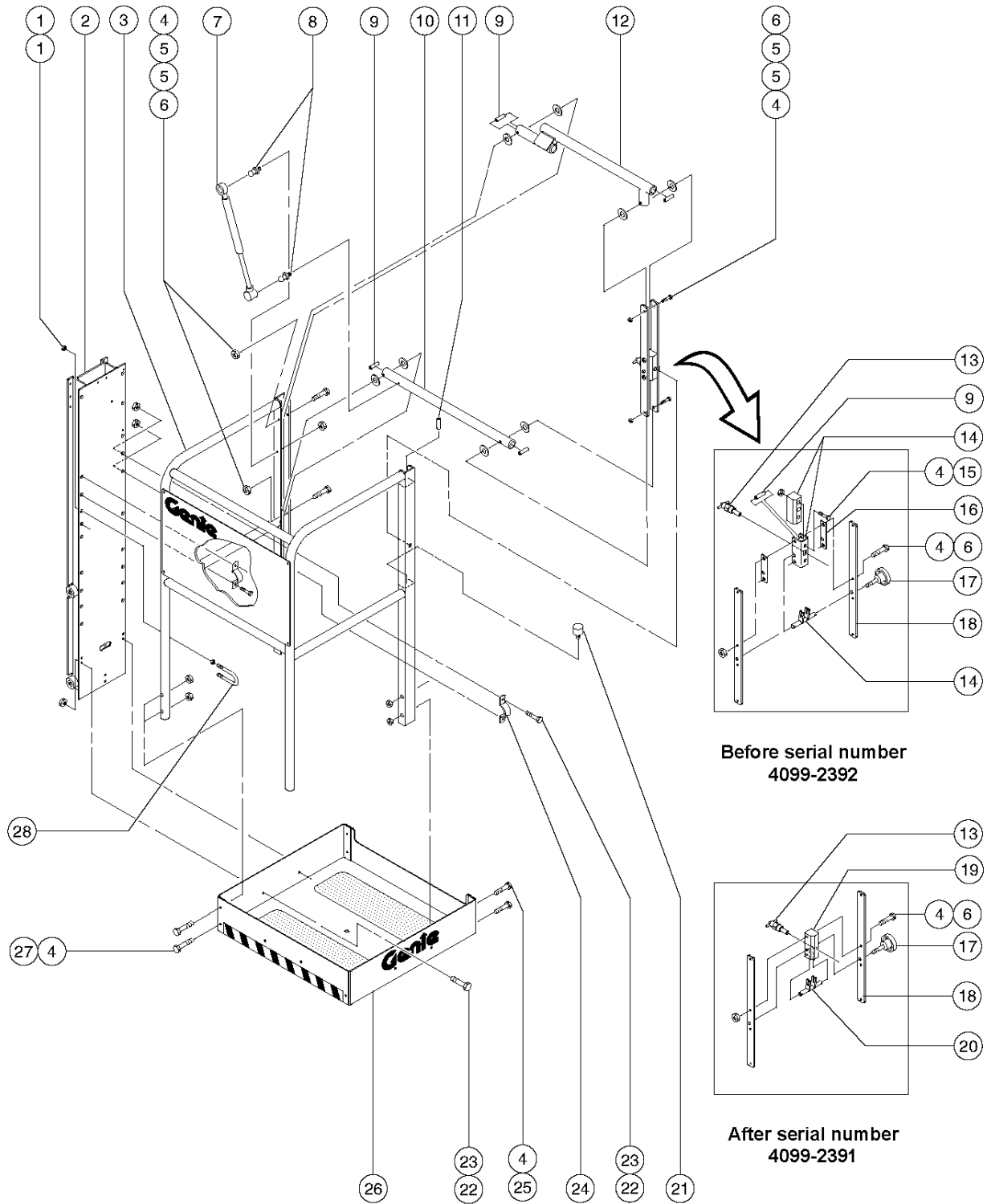
501.1 Platform Assembly, Aluminum, Sliding Mid-rail Entry



501.1 Platform Assembly, Aluminum, Sliding Mid-rail Entry

Item	Part No.	Description	Qty.
--	38202GT	PLAT.ASSY/DECALS,STD,AWP/IWP <i>(to SN IWP04-5497)</i>	
--	85494GT	PLAT ASSY,STD,WORD,AWP/IWP <i>(USA, Australia and Canadian models) (from SN IWP04-5498)</i>	
--	85495GT	PLAT.ASSY-STD-SYMBLS,IWP/AWP <i>(USA, South America and European models) (from SN IWP04-5498)</i>	
1	38203GT	RAILING ASSY,WORD, AWP-IWP&CWP.....1 <i>(includes items 2- 6)</i>	
1A	85496GT	RAILING ASSY,WORD,AWP&IWP <i>(from SN IWP04-5498) (includes items 2-6 USA, Australia and Canadian models)</i>	
1B	85497GT	RAILING ASSY,SYMBOLS,AWP&IWP** <i>(from SN IWP04-5498) (includes items 2-6 Asia, South America and European models)</i>	
2	41292GT	MID-RAIL GUIDE WITH LOOM.....2	
--	31146GT	WIRE LOOM,.413" NON-SLIT***16-inches	
3	6888GT	SCREW,HHC,1/4-20 X 1	
4	56660GT	WASHER,RIVETING	
5	6091GT	NUT,NYLOCK,1/4-20	
6	37391GT	TUBE,STD.SLIDING MIDRAIL-21.....1	
7	38586GT	CLAMP,PLATFORM MOUNT.....2	
8	6175GT	SCREW,HHC,3/8-16 X 1	
9	4828GT	NUT,NYLOCK,3/8-16	
10	24537GT	TAPE,NON-SKID,DIE CUT,6"X 2'.....2	
11	38204GT	TOEBOARD-STD.W/DECALS AWP/IWP.....1 <i>(includes item 10)</i>	
12	4266GT	SCREW,HHC,1/4-20 X 2	
13		Ref. Carriage Assembly <i>(refer to figures 305.1 or 306.1)</i>	

502.1 Platform Assembly, Aluminum, Gated Entry



502.1 Platform Assembly, Aluminum, Gated Entry

Item	Part No.	Description	Qty.	Item	Part No.	Description	Qty.
--	40261GT	PLAT ASSY-GTD/STD-WORDS <i>(to SN IWP04-5497) (Assemblies with Decals)</i>		3C	38219GT	RAIL.WELD W/DECALS,GATED,ULTRA.....1 <i>(from SN IWP04-5497)</i>	
--	40256GT	PLAT.ASSY W/DECALS,GATED,NRW. <i>(to SN IWP04-5497) (Assemblies with Decals)</i>		--	85335GT	RAIL ASSY-GTD/ULTRA-NRW/WORDS <i>(USA, Australian and Canadian models)</i> <i>(from SN IWP04-5498)</i>	
--	38218GT	PLAT.ASSY W/DECALS,GATED,ULTRA <i>(to SN IWP04-5497) (Assemblies with Decals)</i>		--	85336GT	RAIL ASSY-GTD/ULTRA-NRW/SYMBL* <i>(Asia, South America and European models)</i> <i>(from SN IWP04-5498)</i>	
--	85498GT	PLAT ASSY-GTD/STD-WORDS <i>(from SN IWP04-5498) (Assemblies with Word Decals - USA, Australian and Canadian models)</i>		4	6091GT	NUT,NYLOCK,1/4-20	
--	85327GT	PLAT ASSY-GTD/NAR-WORDS-IWPSS <i>(from SN IWP04-5498) (Assemblies with Word Decals - USA, Australian and Canadian models)</i>		5	12013GT	SHIM,.375 X .063 <i>(used to SN IWP15-9654)</i>	
--	85329GT	PLAT ASSY-GTD/ULTRA-NRW/WORDS <i>(from SN IWP04-5498) (Assemblies with Word Decals - USA, Australian and Canadian models)</i>		6	6884GT	SCREW,HHC,1/4-20 X 2.5	
--	85499GT	PLAT ASSY-GTD/STD-SYMBOLS***** <i>(from SN IWP04-5498) (Assemblies with Symbol Decals - Asia, South America and European models)</i>		7	226802GT	GAS STRUT,20LB,13"EXT-9"CLOSED....1	
--	85328GT	PLAT ASSY-GTD/NAR-SYMBL,IWPSS <i>(from SN IWP04-5498) (Assemblies with Symbol Decals - Asia, South America and European models)</i>		--	65874GT	CONNECTOR, NYLON END (35893)**	
--	85330GT	PLAT ASSY W/DECALS,SYMBOL*** <i>(from SN IWP04-5498) (Assemblies with Symbol Decals - Asia, South America and European models)</i>		8	40265GT	BALL STUD,GAS STRUT (38593)***.....2	
1	4828GT	NUT,NYLOCK,3/8-16		9	37719GT	BUSHING,1.5 X 3/8 OD X 1/4 ID.....6 <i>(used to SN IWP15-9654)</i>	
2		Ref. Carriage Assembly <i>(refer to 305.1 or 306.1)</i>		10A	824462GT	ASM, ARM, LOWER PIVOT STD.....1	
3A	40262GT	RAIL.WELD W/DECALS,GATED,STD.....1 <i>(to SN IWP04-5497)</i>		10B	145191GT	ASM, TUBE AWP NRW GATED	
--	85331GT	RAILING ASSY-GTD/STD-WORDS <i>(USA, Australian and Canadian models)</i> <i>(from SN IWP04-5498)</i>		10C	145192GT	ASM, TUBE AWP ULT NRW GATED	
--	85332GT	RAILING ASSY-GTD/STD-SYMBOLS** <i>(Asia, South America and European models)</i> <i>(from SN IWP04-5498)</i>		11	38338GT	PIN,SPRING,.25X.75 ZINC PLATED	
3B	40257GT	RAIL.WELD W/DECALS,GATED,NRW.....1 <i>(to SN IWP04-5497)</i>		12A	824472GT	ASM, GATE ARM STD.....1	
--	85333GT	RAILING ASSY-GTD/NAR-WORDS-IWP <i>(USA, Australian and Canadian models)</i> <i>(from SN IWP04-5498)</i>		12B	824457GT	ASM, UPPER GATE ARM NRW	
--	85334GT	RAILING ASSY-GTD/NAR-SYMBL,IWP <i>(Asia, South America and European models)</i> <i>(from SN IWP04-5498)</i>		12C	824510GT	ASM, GATE ARM ULTRA NRW, UPPER	
				13	37732GT	PIN,PULL.....1	
				14	38223GT	BRKT.LATCH ASSY.GATED,S SERIES.....1 <i>includes items 13, 19 and 20</i>	
				15	38582GT	SCREW,SHC,1/4-20 X 1	
				16	37979GT	PLATE,SHIM.....2	
				17	26787GT	KNOB.....2	
				--	2095GT	SCREW,SET,HS 10-32 X.25	
				18	26780GT	PLATE,HINGE.....2	
				19	57116GT	HOUSING, LATCH, AWP/IWP/CWP.....1	
				20	57138GT	LATCH ROTATOR, GATED PLATFORM.....1	
				21	26785GT	BUMPER,RUBBER.....1	
				22	6175GT	SCREW,HHC,3/8-16 X 1	
				23	4828GT	NUT,NYLOCK,3/8-16	
				24	38586GT	CLAMP,PLATFORM MOUNT.....2	
				25	6888GT	SCREW,HHC,1/4-20 X 1	
				26A	38204GT	TOEBOARD-STD.W/DECALS AWP/IWP.....1	
				26B	40258GT	TOEBOARD W/DECALS,NARROW	
				26C	38220GT	TOEBOARD W/DECALS,ULTRA,NARROW	

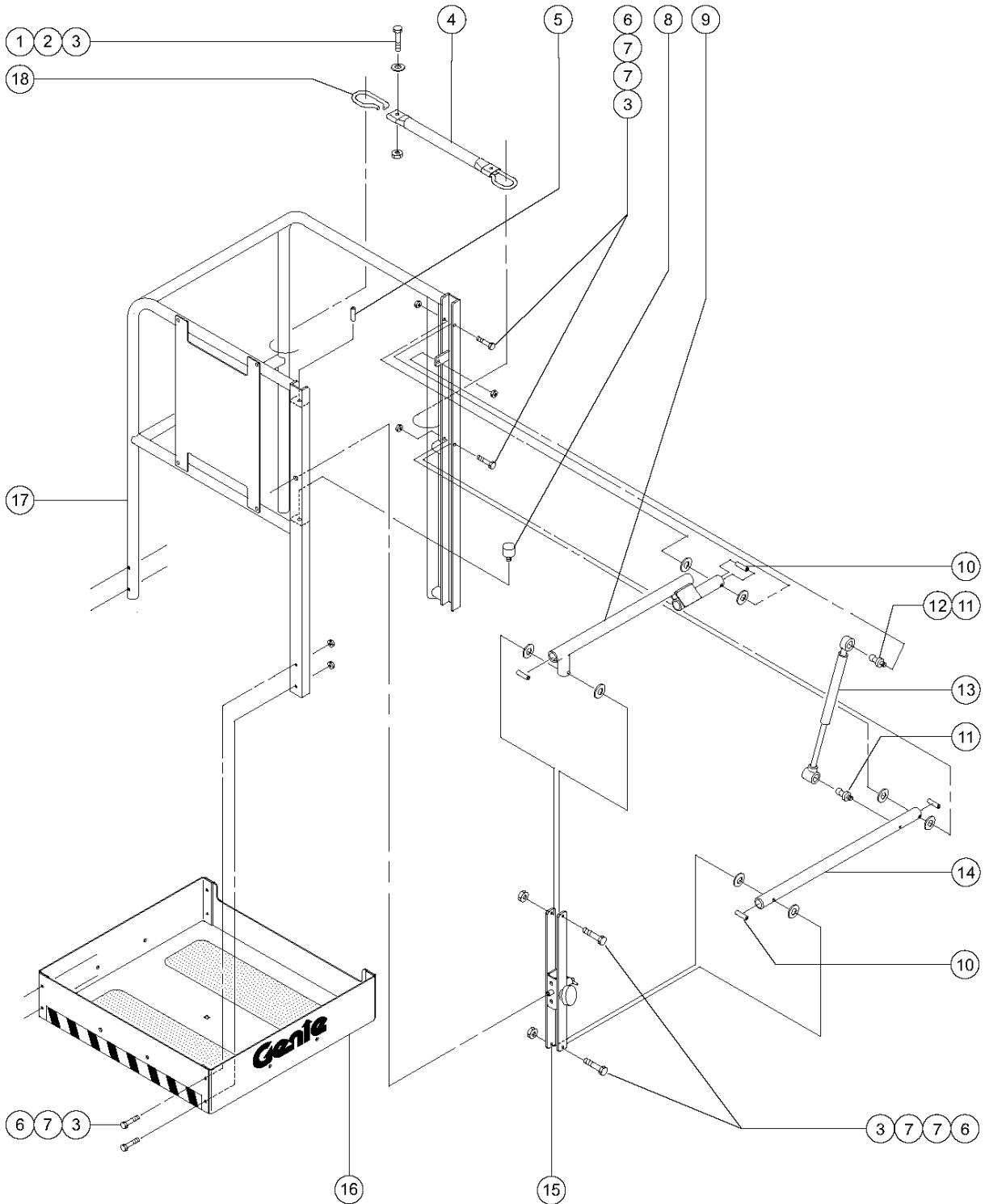


502.1 Platform Assembly, Aluminum, Gated Entry
(continued)

Item	Part No.	Description	Qty.
--	24537GT	TAPE, NON-SKID, DIE CUT, 6" X 2'	
27	4266GT	SCREW, HHC, 1/4-20 X 2	
28	6550GT	U-BOLT, 3/8 X 1 YZ	

This Page Intentionally Left Blank

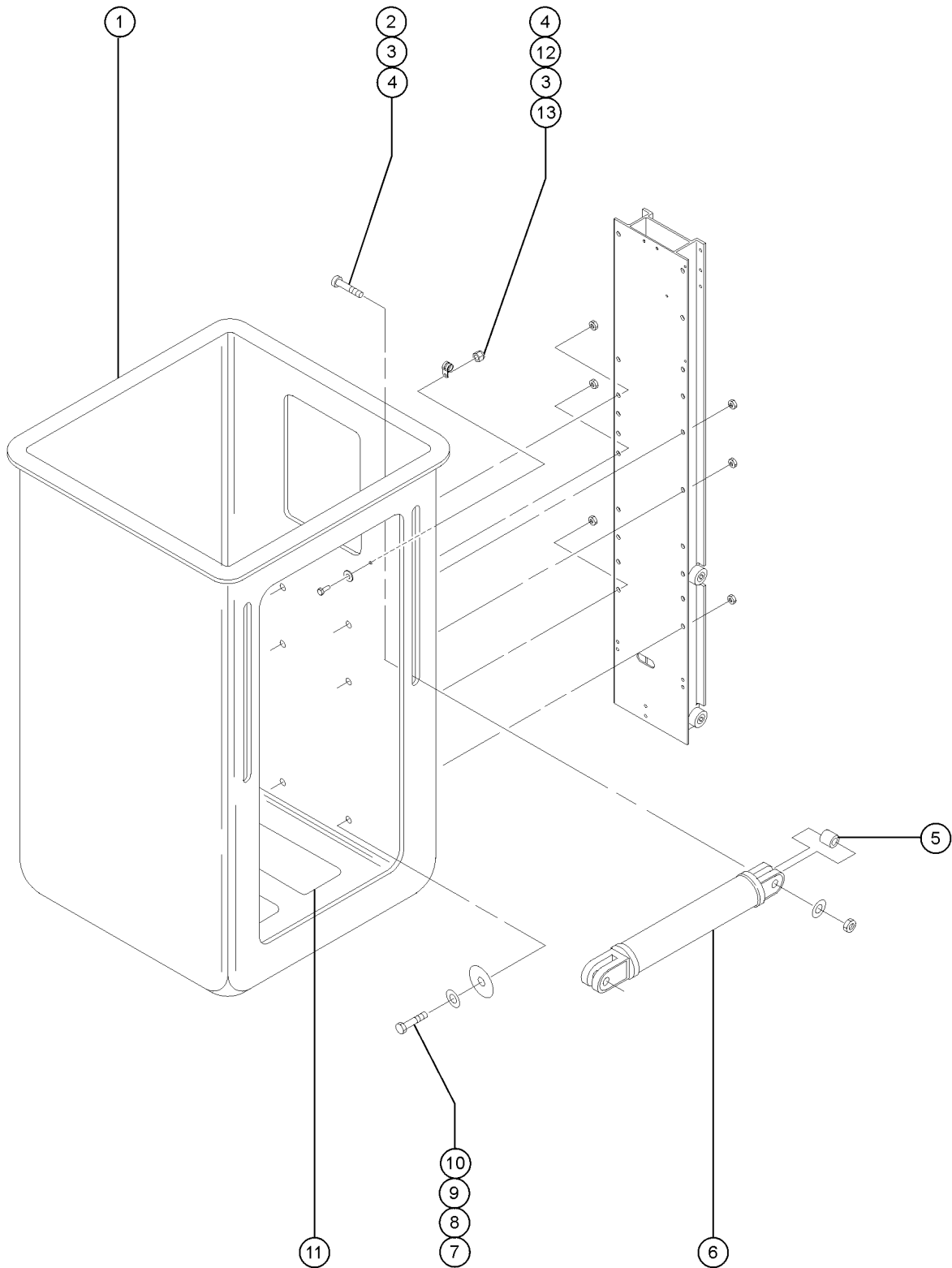
503.1 Platform Assembly, Aluminum, Extra Large, Front and Side Entry



503.1 Platform Assembly, Aluminum, Extra Large, Front and Side Entry

Item	Part No.	Description	Qty.
--	41079GT	Platform Assembly with Decals <i>(All Models) (to SN IWP04-5497)</i>	
--	85337GT	PLATFORM ASSY,XL-WORD,IWP/AWP <i>(USA, Australian and Canadian models) (from SN IWP04-5498)</i>	
--	85338GT	PLATFORM ASSY,XL-SYMBL,IWP**** <i>(Asia, South American and European models) (from IWP04-5498)</i>	
1	8915GT	SCREW,HHC,1/4-20 X 1.25	
2	6638GT	WASHER,FLAT,USS,1/4"Y	
3	6091GT	NUT,NYLOCK,1/4-20	
4	37391GT	TUBE,STD.SLIDING MIDRAIL-21.....1	
5	38338GT	PIN,SPRING,.25X.75 ZINC PLATED.....1	
6	6884GT	SCREW,HHC,1/4-20 X 2.5	
7	12013GT	SHIM,.375 X .063	
8	26785GT	BUMPER,RUBBER.....1	
9	824472GT	ASM, GATE ARM STD.....1	
10	37719GT	BUSHING,1.5 X 3/8 OD X 1/4 ID.....6	
11	40265GT	BALL STUD,GAS STRUT (38593)***.....2	
12	6002GT	NUT,LP NYLOCK,5/16-18	
13	226802GT	GAS STRUT,20LB,13"EXT-9"CLOSED....1	
14	824462GT	ASM, ARM, LOWER PIVOT STD.....1 <i>replaced 40264</i>	
15		Ref. Gate Latch Assmly <i>(refer to 502.1)</i>	
16	44977GT	TOEBOARD-STD.W/DECALS,X-LARGE.1	
--	24537GT	TAPE,NON-SKID,DIE CUT,6"X 2'	
17A	44978GT	RAIL.WELD W/DECALS,GATED,X-LG....1 <i>(to SN IWP04-5497)</i>	
17B	85339GT	RAILING ASSY,GTD-XLG, WORD,IWP <i>(USA, Australian and Canadian models) (from SN IWP04-5498)</i>	
17C	85340GT	RAILING ASSY,GTD-XLG,SYMBL,IWP <i>(Asia, South America and European models) (from SN IWP04-5498)</i>	
18	41292GT	MID-RAIL GUIDE WITH LOOM.....2	
--	31146GT	WIRE LOOM,.413" NON-SLIT***.....16-inches	

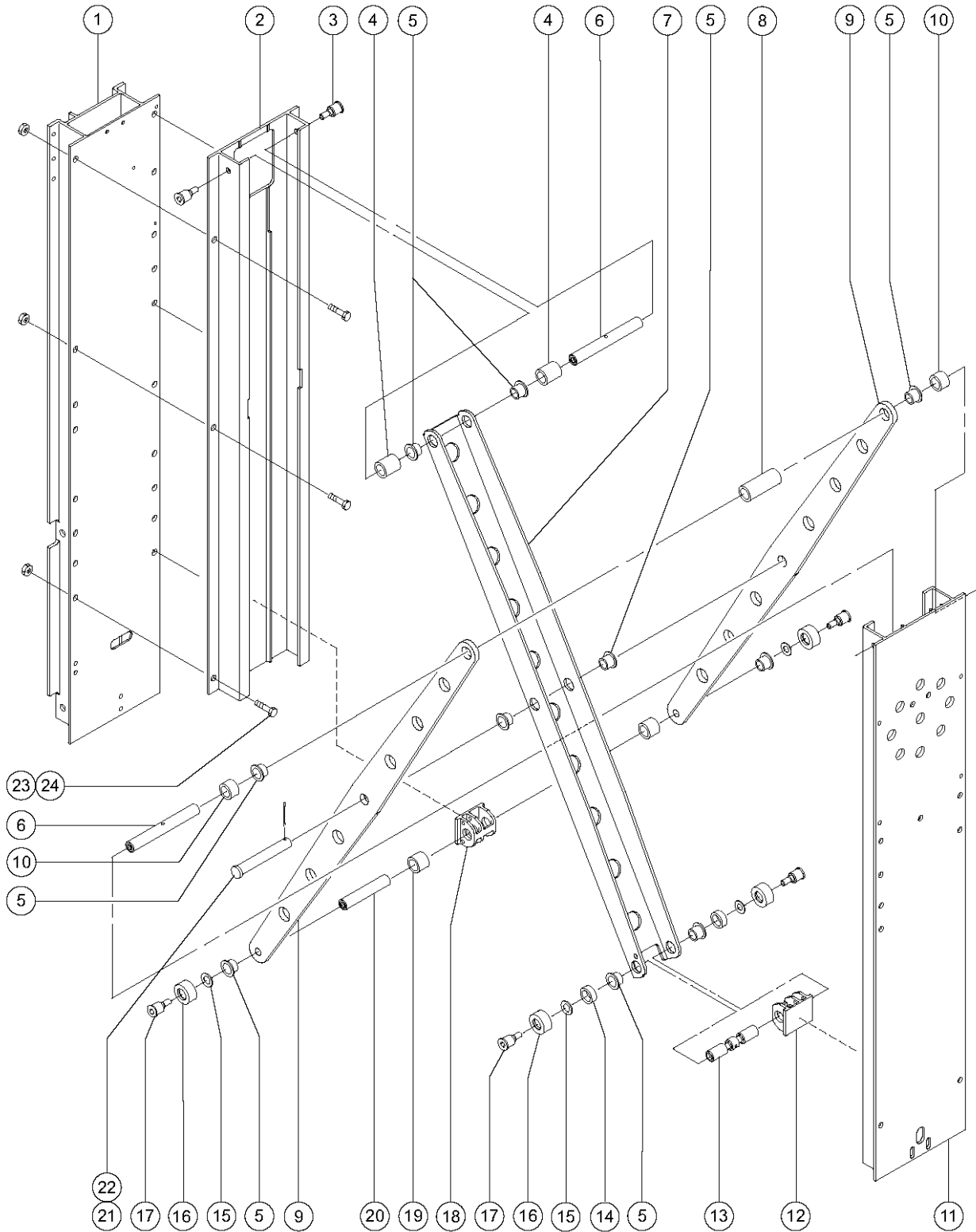
504.1 Platform Assembly, Fiberglass



504.1 Platform Assembly, Fiberglass

Item	Part No.	Description	Qty.
1	40268GT	PLAT.ASSY.FIBER,W/DECALS.....1 (to SN IWP04-5497)	1
--	85355GT	PLAT ASSY-STD FIBER, WORD,IWP (USA, Australian and Canadian models) (from SN IWP04-5498)	
--	85356GT	PLAT ASSY-STD FIBER, SYMBL,IWP (Asia, South America and European models) (from SN IWP04-5498)	
1A	40270GT	PLAT.ASSY.W/ DECALS NRW. FIBER....1 (to SN IWP04-5497)	1
--	85357GT	PLAT ASSY-NARW FIBER, WORD,IWP (USA, Australian and Canadian models) (from SN IWP04-5498)	
--	85358GT	PLAT ASSY-NARW FIBER,SYMBL,IWP (Asia, South America and European models) (from SN IWP04-5498)	
2	23838GT	SCREW,FHM,1/4-20X1.75,GR2	
3	6638GT	WASHER,FLAT,USS,1/4"Y	
4	6889GT	NUT,LP NYLOCK,1/4-20	
5	8149GT	SPACER,NYLON .257 X .5 X .75".....2	2
6	40269GT	SLIDING MIDRAIL ASSY.STD.FIBER.....1	1
6A	40271GT	SLIDING MIDRAIL ASSY,NRW.FIBER	
7	6708GT	SCREW,HHC,3/8-16 X 2.25	
8	6097GT	WASHER,FLAT,USS,3/8",Y	
9	14016GT	WASHER,FLAT,502 X 1.747 X.04	
10	4828GT	NUT,NYLOCK,3/8-16	
11	47231GT	TAPE,NON-SKID,DIE CUT,4"X 16".....3	3
12	6833GT	CLAMP,0.50,#8 X 1/4,RUB CUSH	
13	80058GT	SCREW,PHP,1/4-20 X .875	

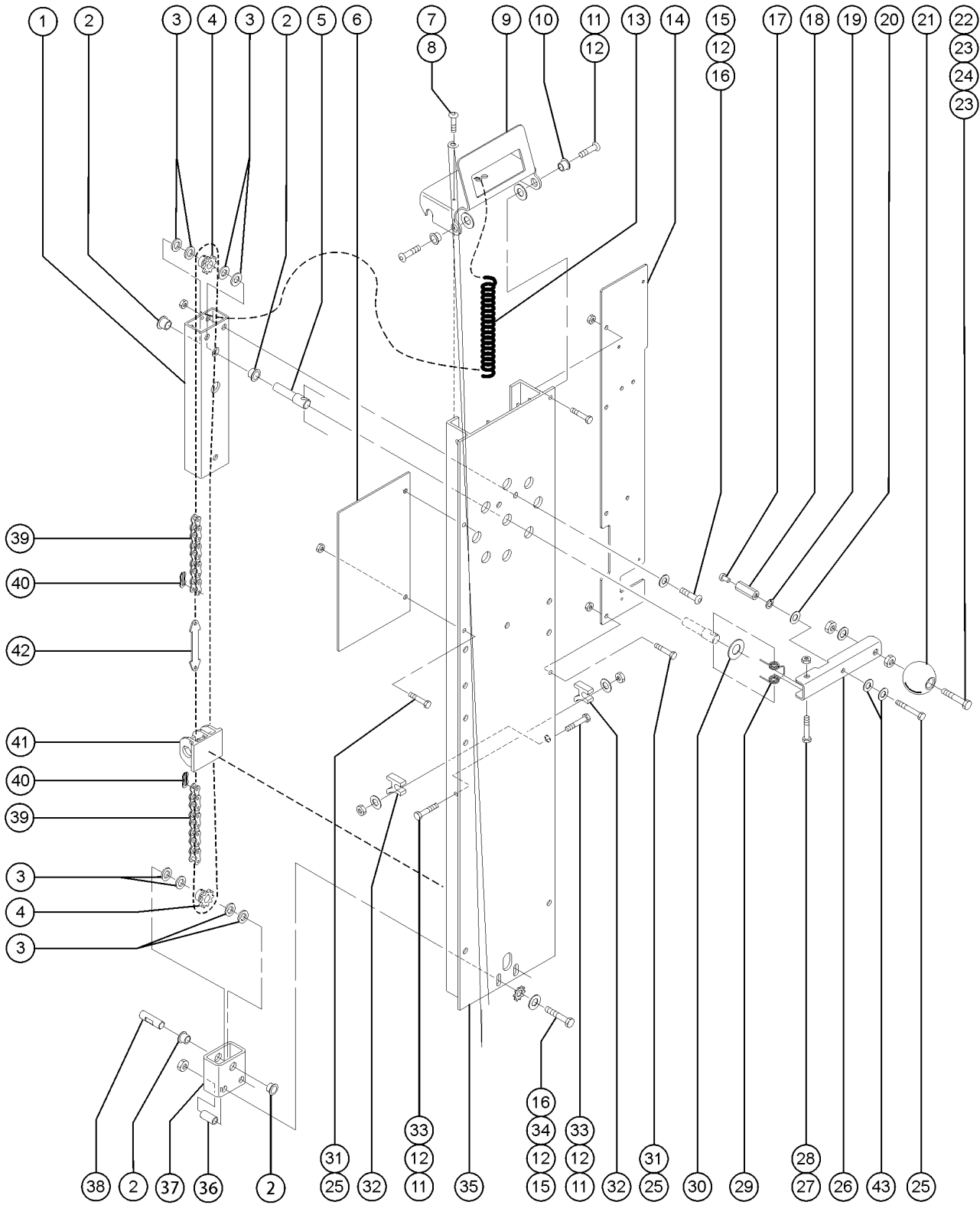
505.1 Platform Outreach Option, View 1, IWP-20S



505.1 Platform Outreach Option, View 1, IWP-20S

Item	Part No.	Description	Qty.
1		Ref. Carriage Assembly (refer to 306.1)	
2	37668GT	EXTRU.,MACHINED,BACK,OUTREACH.1	
3	11335GT	SCREW,SHS,3/8-16 X .5	
4	38963GT	SPACER,1"OD X 1.296"LG.....2	
5	38031GT	BUSHING,FLANGE,.75ID X .875OD.....10	
6	38735GT	TUBE,COUPLER BAR 6.156",ZINC.....2	
7	37369GT	PLATE,FRMD,PLATFORM PIVOT.....1 (to SN IWP06-6734)	
7A	109820GT	FORMING,OUTREACH PIVOT (from SN IWP06-6735)	
8	40326GT	SPACER,1"OD X 2.844"LG.....2	
9	37368GT	PLATE,PLATFORM PIVOT,OUTREACH.....2	
10	38964GT	SPACER,1"OD X .859"LG.....2	
11	40483GT	OUTREACH-PLAT.MNT W/WORD DECAL.....1 (All Models) (to SN IWP04-5497)	
11A	40483GT	OUTREACH-PLAT.MNT W/WORD DECAL.....1 (USA, Australian and Canadian models) (from SN IWP04-5498)	
11B	85360GT	SWITCH BOX MOUNT-SYMB,OUTRCH (Asia, South America and European models) (from SN IWP04-5498)	
12		Ref. Slider Chain Assembly (refer to 506.1)	
13	37373GT	COUPLER BAR,4.31",OUTREACH.....1	
14	38966GT	SPACER,1"OD X .375"LG.....2	
15	6097GT	WASHER,FLAT,USS,3/8",Y	
16	80938GT	WHEEL, NYLON ROLLER.....4	
17	38975GT	BOLT,ROLLER,.720"(LONG).....4	
18	37682GT	SLIDE PAD,PLASTIC,OUTREACH.....1	
19	38965GT	SPACER,1"OD X .718"LG.....2	
20	37371GT	COUPLER BAR,3.56",OUTREACH.....1	
21	31176GT	PIN,CLEVIS,.75 X 4.5 LG.....1	
22	5361GT	PIN,COTTER,.125 X 1.5.....1	
23	6175GT	SCREW,HHC,3/8-16 X 1	
24	4828GT	NUT,NYLOCK,3/8-16	

506.1 Platform Outreach Option, View 2, IWP-20S

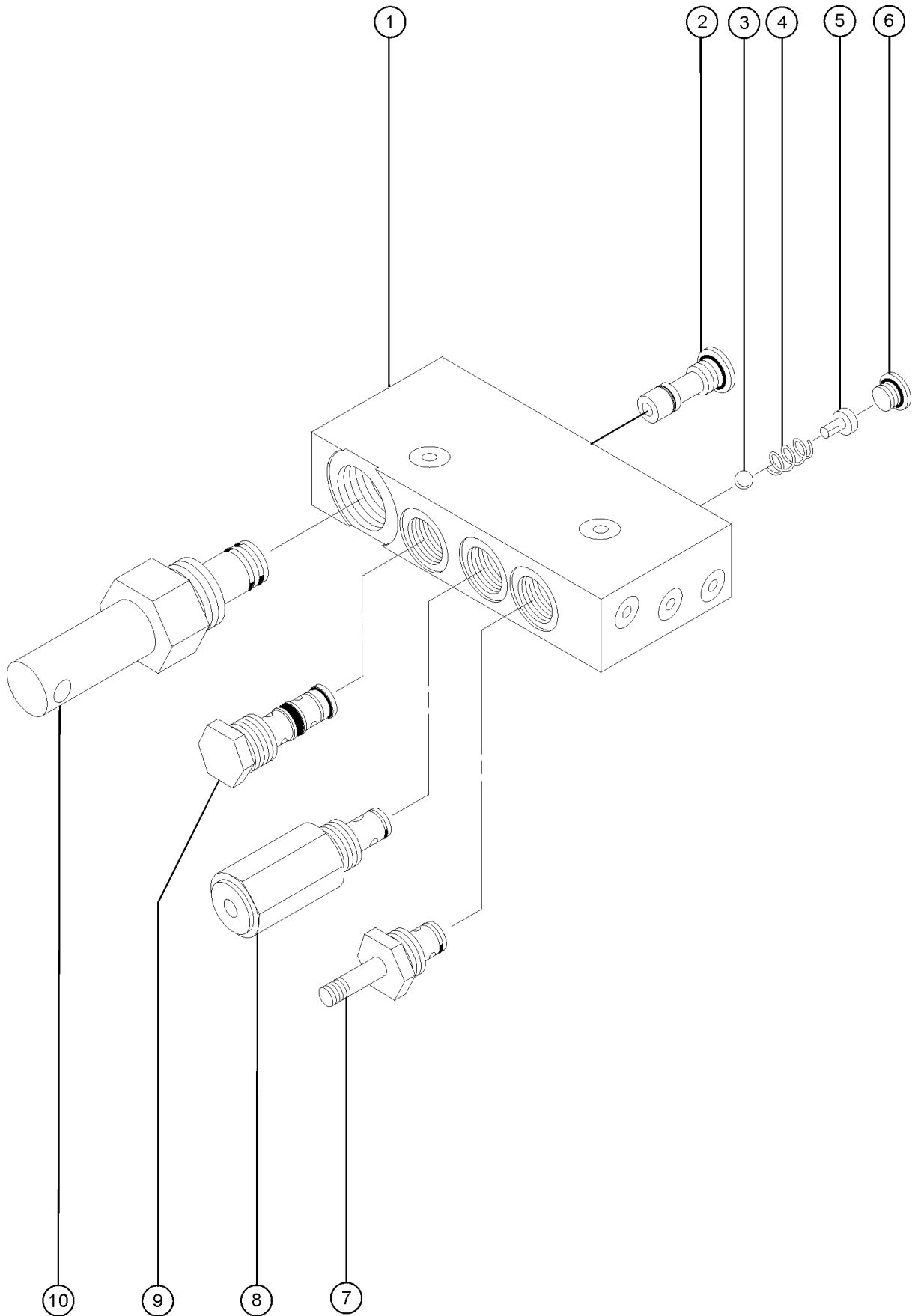


506.1 Platform Outreach Option, View 2, IWP-20S

Item	Part No.	Description	Qty.	Item	Part No.	Description	Qty.
1	37378GT	TUBE,HOUSING DRIVE SHAFT.....	1	25	6090GT	SCREW,HHC,1/4-20 X .75	
2	38030GT	BUSHING,CLIP,5 ID		26	37383GT	FORMED,HANDLE,ZINC,OUTREACH....	1
3	11978GT	WASHER,FLAT,NYLON.515X.88X.093		27	14723GT	SCREW,HHC,5/16-18 X 1.75	
4	37379GT	SPROCKET, ROLLER CHAIN, #35B10...2		28	6002GT	NUT,LP NYLOCK,5/16-18	
5	37377GT	SHAFT, DRIVE, OUTREACH.....	1	29	124984GT	SPRING,TORSION,45 DEGREE.....	1
6	40573GT	DECAL PLATE W/DECAL,OUTREACH.....	1	30	6898GT	WASHER,SHIM,.625 X 1.188X.064	
		(All Models) (to SN IWP04-5497)		31	6091GT	NUT,NYLOCK,1/4-20	
6A	40573GT	DECAL PLATE W/DECAL,OUTREACH.....	1	32	32522GT	DOWN STOP.....	2
		(USA, Australian and Canadian models) (from SN IWP04-5498)		33	7713GT	NUT, LP NYLOCK, 3/8-16	
6B	85359GT	DECAL PLATE,OUTREACH,SYMBOL (Asia, South America and European models) (from SN IWP04-5498)		34	6700GT	WASHER,STAR,EXTERNAL,.375	
7	21018GT	SCREW,PHIL,PHM,10-24 X.38,SEMS		35	40483GT	OUTREACH-PLAT.MNT W/WORD DECAL.....	1
8	28083GT	WASHER,NYLON				(All Models) (to SN IWP04-5497)	
9	37374GT	FORMING,COVER,OUTREACH.....	1	35A	40483GT	OUTREACH-PLAT.MNT W/WORD DECAL (All Models) (to SN IWP04-5497)	
10	33720GT	BEARING,FLANGE,3/8 (AWP & ST)....2		35B	40483GT	OUTREACH-PLAT.MNT W/WORD DECAL.....	1
11	28487GT	SCREW,BHHS,3/8-16 X 1				(USA, Australian and Canadian models) (from SN IWP04-5498)	
12	6097GT	WASHER,FLAT,USS,3/8",Y		35C	85361GT	OUTREACH-PLAT.MOUNT,SYM DEC (Asia, South American and European models) (from SN IWP04-5498)	
13	23396GT	SPRING,CONTROL CABLE, AWP.....	1	36	40707GT	SPACER, 3/8 IDX1.25 LONG	
14	41251GT	SWITCH BOX MOUNT-WORD,OUTRCH.....	1	37	37690GT	TUBE,HOUSING IDLER SHAFT.....	1
		(All Models) (to SN IWP04-5497)		38	37692GT	SHAFT, IDLER, OUTREACH.....	1
14A	41251GT	SWITCH BOX MOUNT-WORD,OUTRCH (All Models) (to SN IWP04-5497)		39	11306-6650GT	CHAIN, ROLLER,#35, 66.5".....	1
--	38728GT	INSTRUCTION TUBE,AWP96 rectangular tube		39	80982GT	KIT, SLIDER-CHAIN ASSY.IWP (includes items 40 and 42)	
--	41374GT	PLATE,SWITCH MOUNTING-OUTREACH weldment only		--	11306-6650GT	CHAIN, ROLLER,#35, 66.5".....	1
14B	41251GT	SWITCH BOX MOUNT-WORD,OUTRCH.....	1	39A	80982GT	KIT, SLIDER-CHAIN ASSY.IWP (includes items 40 and 42)	
		(USA, Australian and Canadian models) (from SN IWP04-5498)		40	11307GT	CHAIN CONN.LINK #35 3/8 X 3/16.....	2
14C	85360GT	SWITCH BOX MOUNT-SYMB,OUTRCH (Asia, South America and European models) (from SN IWP04-5498)		41	37682GT	SLIDE PAD,PLASTIC,OUTREACH.....	1
15	8178GT	SCREW,HHC,3/8-16 X 2.5		42	80961GT	PLATE, SLIDER- CHAIN IWP.....	1
16	4828GT	NUT,NYLOCK,3/8-16		43	15436GT	WASHER,FLAT,NYLON.25 X.68 X.03....	2
17	38962GT	SCREW,NYLON,PHU,1/4-20 X.375LG					
18	13863GT	NUT,COUPLING, 1/4-20 X .875					
19	6356GT	WASHER,LOCK,.25					
20	6638GT	WASHER,FLAT,USS,1/4"Y					
21	6082GT	HANDLE BALL KNOB.....	1				
22	6708GT	SCREW,HHC,3/8-16 X 2.25					
23	4828GT	NUT,NYLOCK,3/8-16					
24	6021GT	WASHER,LOCK,.375					



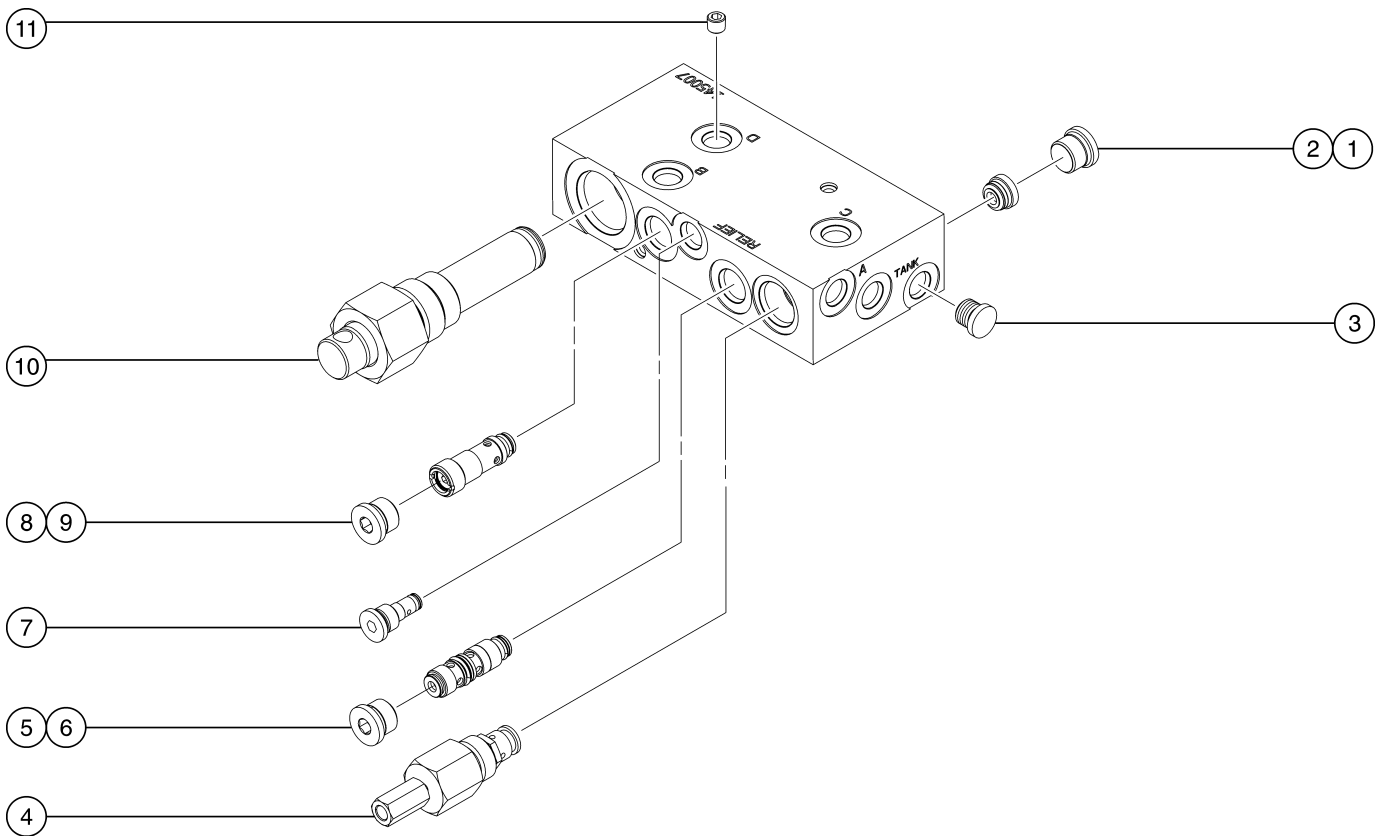
601.1 Foot Pump Manifold



601.1 Foot Pump Manifold

Item	Part No.	Description	Qty.
--	28750GT	O-RING KIT,FIELD SVC,ALL PROD*	
--	33994GT	PLUG AND CAP KIT-SERVICE,37 **	
1	109968GT	MANIFOLD,FOOTPUMP IWP (to SN IWP07-7101)	
1A	109968GT	MANIFOLD,FOOTPUMP IWP	
1B	145007GT	MANIFOLD,FOOTPUMP ASSY IWP	
2	27807GT	VALVE,CHECK***	
3	40475GT	BALL-CHECK (IWP FOOT PUMP)	
4	40476GT	SPRING-BALL CHECK(IWP FOOTPMP)	
5	85238GT	SPRING GUIDE***	
6	69550GT	PLUG,ORB #4	
7	31268GT	VALVE,MANUAL RELEASE,IWP***	
8	40407GT	VALVE,RELIEF 1600 PSI***	
9	40406GT	VALVE, PILOT TO OPEN CHECK	
10	40408GT	PUMP, FOOT, HYDRAULIC	

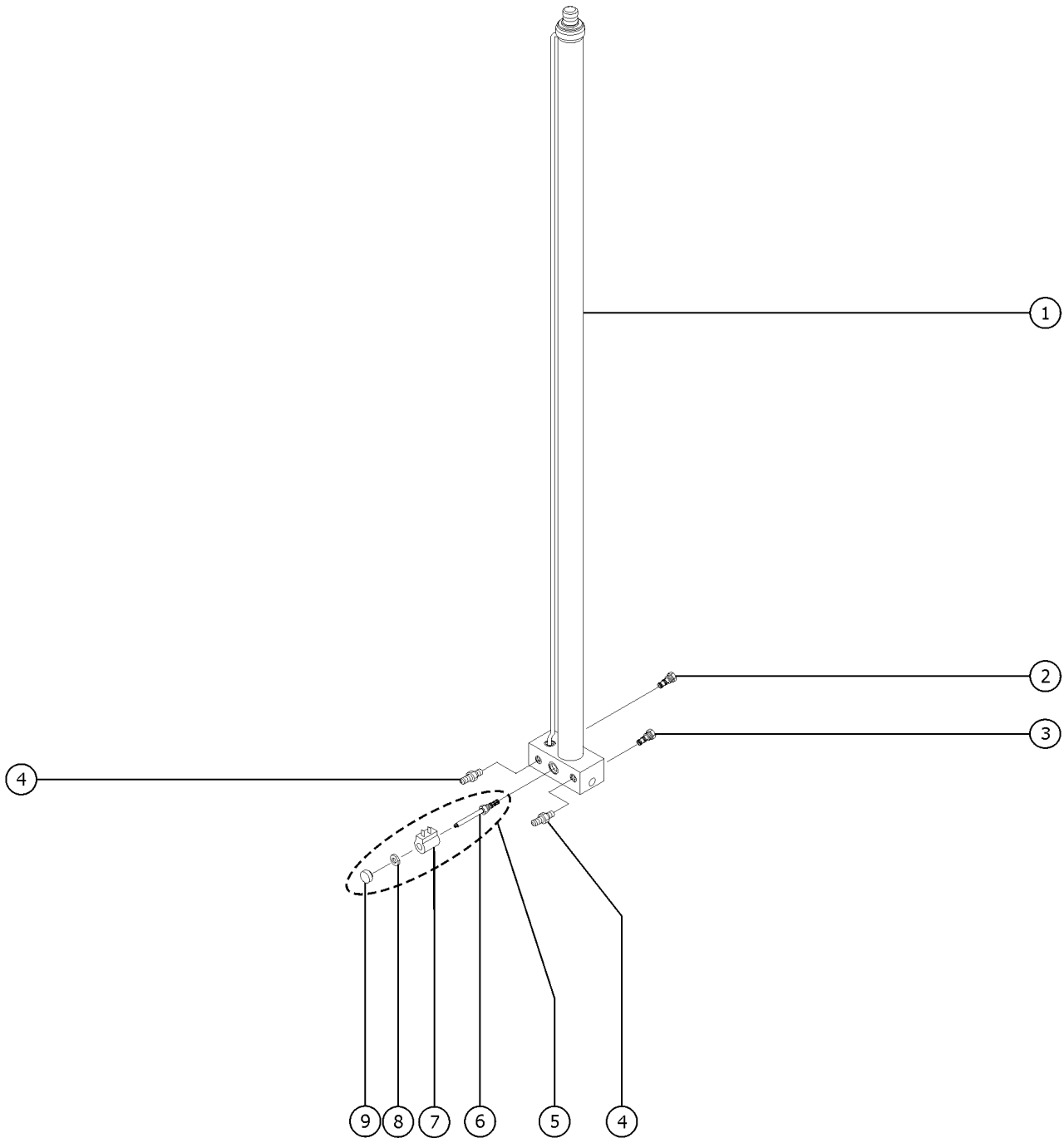
601.2 Foot Pump Manifold (from IWP09-8269)



601.2 Foot Pump Manifold (from IWP09-8269)

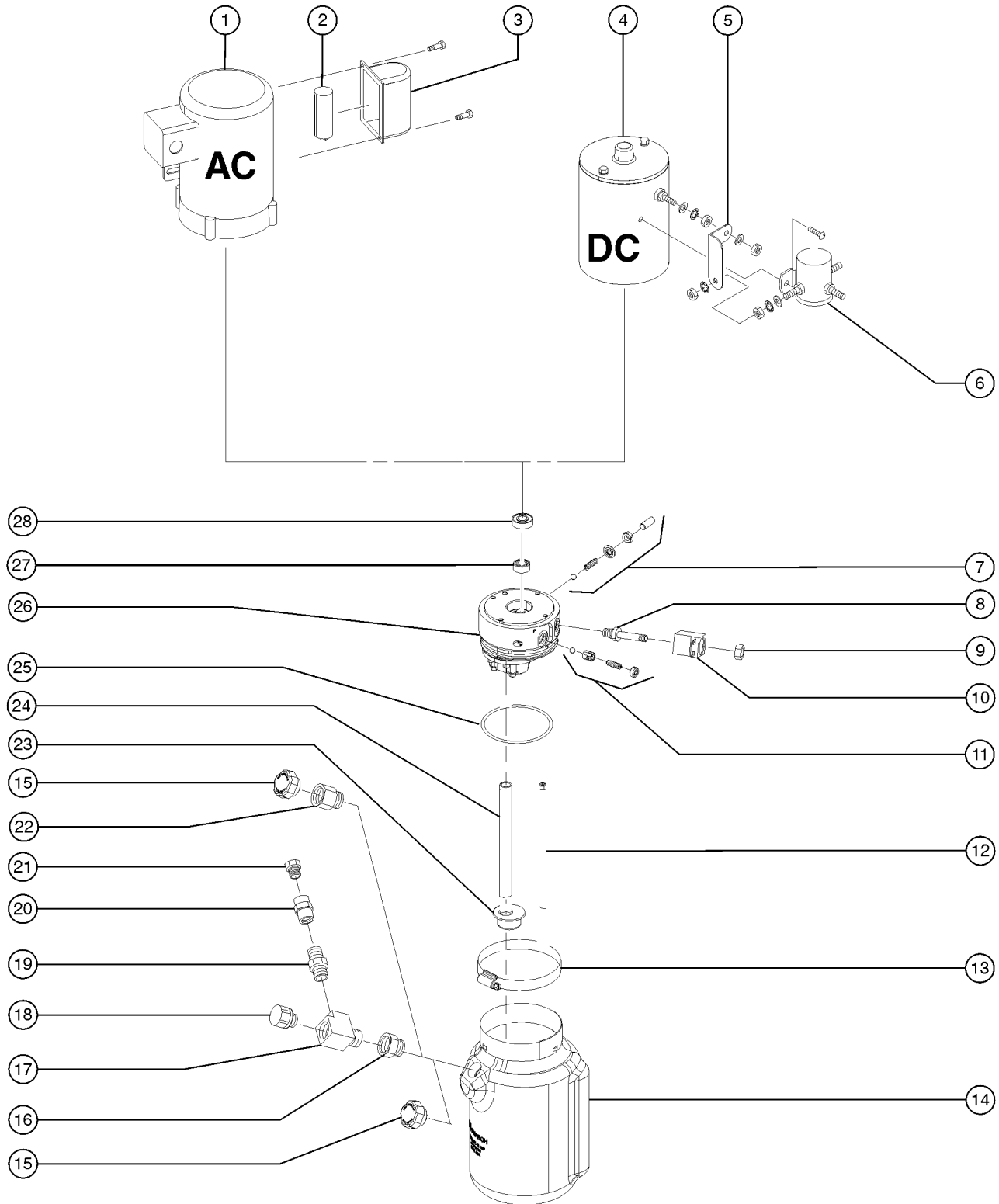
Item	Part No.	Description	Qty.
--	145004GT	MANIFOLD,BLOCK FOOTPUMP.....1 <i>manifold block with no components</i>	1
--	145007GT	MANIFOLD,FOOTPUMP ASSY IWP.....1 <i>complete kit with valves, orifice, and plugs</i>	1
--	145096GT	PLUG,EXPANSION.....5	5
1	145094GT	PLUG,SAE #6.....1	1
2	145005GT	VALVE,CHECK.....1	1
3	145097GT	PLUG,SAE #4.....1	1
4	145002GT	VALVE,MANUAL RELEASE.....1	1
5	145094GT	PLUG,SAE #6.....1	1
6	145003GT	VALVE, RELIEF ADJ (1600 PSI).....1	1
7	145006GT	VALVE,CHECK.....1	1
8	145094GT	PLUG,SAE #6.....1	1
9	145001GT	VALVE,CHECK PO.....1	1
10	145095GT	PUMP,FOOT IWP.....1	1
11	145000GT	ORIFICE,0.030.....1	1

602.1 Lift Cylinder



Item	Part No.	Description	Qty.
1	80950GT	CYLINDER,LIFT 56.25"STROKE,DY*.....1	
--	1261234GT	GUIDE RING, LIFT CYLINDER, AWP (Dongyang)	
--	40110GT	SEAL KIT,35736,37 SAME AS38168 (Texas)	
--	80943GT	SEAL KIT,DONYANG CYL (35737)* (Dongyang)	
2	35725GT	VALVE,FLOW CONTROL PREAS.COMP.....2 (1 gpm / 3.78 L/min)	
3	35726GT	VALVE,HYDRAULIC CHECK.....1	
4	13755GT	CONNECTOR,070120-4-4.....2	
5	40571GT	ASSY, MAN LWR VALVE W/HNDL, 12V.....1 (includes items 6-9)	
--	35724GT	VALVE,NC SOLENOID,MANUAL LWR (includes items 7 and 8)	
--	40417GT	COIL,12V DC	
--	40477GT	VALVE,CARTRIDGE*** (includes item 8)	
--	44979GT	SEAL KIT,39909,PLAT LWR VALVE*	
--	52943GT	NUT,SOLENOID VALVE COIL.....1	
6	40477GT	VALVE,CARTRIDGE***1 (includes item 8)	
7	40417GT	COIL,12V DC.....1	
8	52943GT	NUT,SOLENOID VALVE COIL.....1	
9	38068GT	KNOB,PUSH/PULL,RED.....1	

603.1 Hydraulic Power Unit (to serial number IWP02-4204)

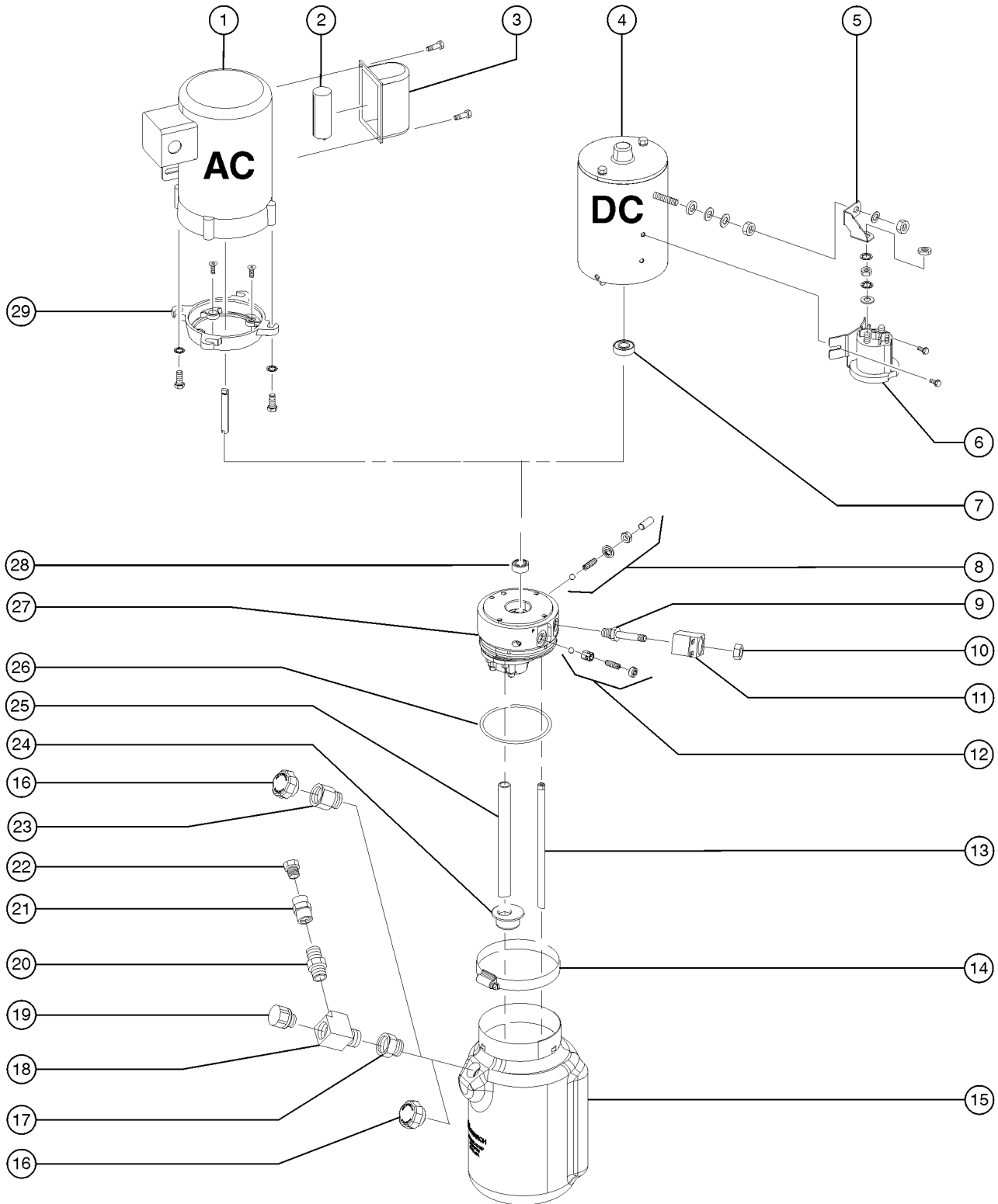


603.1 Hydraulic Power Unit (to serial number IWP02-4204)

Item	Part No.	Description	Qty.	Item	Part No.	Description	Qty.
--	100989GT	POWER UNIT,12V DC*** <i>(to SN IWP08-7754)</i>		19	48519GT	3/8" NPT CHECK VALVE	
--	100990GT	POWER UNIT,110-220 AC*** <i>(to SN IWP08-7822)</i>		20	46049GT	COUPLING,3/8X1.12,BRASS	
--	100991GT	POWER UNIT,85V AC*** <i>(to SN IWP08-7714)</i>		21	46051GT	BREATHER CAP,3/8"NPT,NI PLTD	
1	145343GT	MOTOR,115/230V AC (124198) <i>CE models</i>		22	100299GT	PIPE ADAPTER, 3/4-11 NPT	
1	38163GT	MOTOR, 115/230V AC.....1 <i>(includes item 28)</i>	1	23	38160GT	FILTER,PICK-UP SCREEN***.....1	1
2	40399GT	CAPACITOR,MOTOR.....1	1	24	58287GT	TUBE,SUCTION	
3	40430GT	COVER,CAPACITOR.....1	1	25	40318GT	SEAL,O-RING,PUMP***.....1	1
4	38151GT	MOTOR,12V DC***.....1 <i>(includes item 28)</i>	1	26	38154GT	PUMP ASSEMBLY,MONARCH,AC/DC***.....1 <i>(includes items 7, 11, 27)</i>	1
--	38152GT	BRUSH KIT,12V DC MTR (08111-D) <i>for motors with stamp "8111-D"</i>		27	40401GT	SEAL,MOTOR.....1	1
--	T114885GT	BRUSH KIT,SVC,(MOTOR 38151)*** <i>for motors with stamp "8111-I"</i>		28	40400GT	BEARING,MOTOR.....1	1
5	44991GT	SOLENOID STRAP, MONARCH**.....1	1				
6	38153GT	SOLENOID,MOTOR START***.....1	1				
7	38156GT	VALVE,RELIEF KIT,MONARCH**.....1	1				
8	100866GT	VALVE,2-POS 2-WAY***					
8	40392GT	CARTRIDGE WITH NUT***					
9	100869GT	NUT,SOLENOID VALVE***					
10	40319GT	COIL,10V DC***					
11	38155GT	VALVE-CHECK KIT.....1	1				
12	58288GT	TUBE, RETURN.....1	1				
13	85217GT	CLAMP, MOUNTING,(FOR 85219)***					
14	124183GT	RESERVOIR W/DECAL,PLASTIC*** <i>(from SNs IWP08-7823, 110V; IWP08-7715, 85V; or IWP08-7755, 12V)</i>					
14A	85218GT	RESERVOIR W/DECAL,PLASTIC*** <i>(to SNs IWP08-7822, 110V; IWP08-7714, 85V; or IWP08-7754, 12V)</i>					
14B	40397GT	RESERVOIR W/DECAL,SUPER SERIES.....1 <i>(metal)</i>	1				
--	21018GT	SCREW,PHIL,PHM,10-24 X.38,SEMS <i>(metal reservoir attachment screws)</i>					
--	38159GT	BREATHER CAP <i>(metal reservoir)</i>					
--	38161GT	GAUGE-SIGHT <i>(metal reservoir)</i>					
--	40426GT	PLUG, PIPE, FLUSH 1/4 PTF <i>(metal reservoir drain plug)</i>					
15	100255GT	BREATHER CAP (85218).....1	1				
16	100158GT	REDUCER,NYLON, 3/4NPT X 3/8NPT					
17	40704GT	TEE,STREET,3/8 NPT,BRASS					
18	48520GT	3/8" NPT VALVE BREATHER CAP					



603.2 Hydraulic Power Unit (from serial number IWP02-4205)

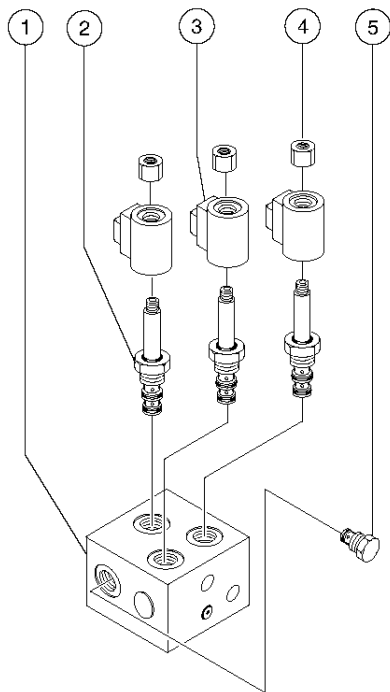


603.2 Hydraulic Power Unit (from serial number IWP02-4205)

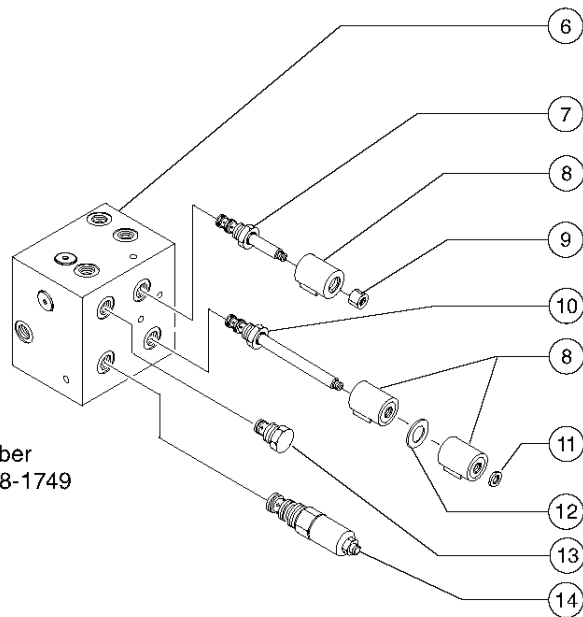
Item	Part No.	Description	Qty.	Item	Part No.	Description	Qty.
--	124197GT	POWER UNIT,110/220VAC,60HZ <i>(from SN IWP08-7823 to 12110)</i>		11	100868GT	COIL,10V DC*** <i>(from SN IWP05-5806)</i>	
--	100990GT	POWER UNIT,110-220 AC*** <i>(to SN IWP08-7822)</i>		11A	40319GT	COIL,10V DC*** <i>(to SN IWP05-5805)</i>	
--	124191GT	POWER UNIT,85V AC <i>(from SN IWP08-7715)</i>		12	38155GT	VALVE-CHECK KIT.....1	
--	100991GT	POWER UNIT,85V AC*** <i>(to SN IWP08-7714)</i>		13	58288GT	TUBE, RETURN	
--	124189GT	POWER UNIT,12V DC <i>(from SN IWP08-7755)</i>		14	85217GT	CLAMP, MOUNTING,(FOR 85219)***	
--	100989GT	POWER UNIT,12V DC*** <i>(to SN IWP08-7754)</i>		15	124183GT	RESERVOIR W/DECAL,PLASTIC*** <i>(from SNs IWP08-7823, 110V; IWP08-7715, 85V; or IWP08-7755, 12V)</i>	
--	124198GT	POWER UNIT,110/220VAC,50/60HZ <i>(from SN IWP08-7709)</i>		15A	85218GT	RESERVOIR W/DECAL,PLASTIC*** <i>(to SNs IWP08-7822, 110V; IWP08-7714, 85V; or IWP08-7754, 12V)</i>	
1	145343GT	MOTOR,115/230V AC (124198) <i>CE models (ANSI models from SN 12111)</i>		16	100255GT	BREATHER CAP (85218).....1 <i>(standard base and Japanese models)</i>	
1	38163GT	MOTOR, 115/230V AC.....1 <i>(includes item 28) (ANSI models to SN 12110)</i>		17	100158GT	REDUCER,NYLON, 3/4NPT X 3/8NPT <i>(models with narrow or rough terrain base)</i>	
2	40399GT	CAPACITOR,MOTOR.....1		18	40704GT	TEE,STREET,3/8 NPT,BRASS <i>(models with narrow or rough terrain base)</i>	
3	40430GT	COVER,CAPACITOR.....1		19	48520GT	3/8" NPT VALVE BREATHER CAP <i>(models with narrow or rough terrain base)</i>	
4	38151GT	MOTOR,12V DC***.....1 <i>(includes item 28)</i>		20	48519GT	3/8" NPT CHECK VALVE <i>(models with narrow or rough terrain base)</i>	
--	38152GT	BRUSH KIT,12V DC MTR (08111-D) <i>for motors with stamp "8111-D"</i>		21	46049GT	COUPLING,3/8X1.12,BRASS <i>(models with narrow or rough terrain base)</i>	
--	T114885GT	BRUSH KIT,SVC,(MOTOR 38151)*** <i>for motors with stamp "8111-I"</i>		22	46051GT	BREATHER CAP,3/8"NPT,NI PLTD <i>(models with narrow or rough terrain base)</i>	
5	124185GT	SOLENOID STRAP,MONARCH <i>(from SN IWP08-7755)</i>		23	100299GT	PIPE ADAPTER, 3/4-11 NPT <i>(Japanese models)</i>	
5A	44991GT	SOLENOID STRAP, MONARCH**.....1 <i>(to SN IWP08-7754)</i>		24	38160GT	FILTER,PICK-UP SCREEN***.....1	
6	124186GT	SOLENOID,MOTOR START <i>(from SN IWP08-7755)</i>		25	58287GT	TUBE,SUCTION	
6A	38153GT	SOLENOID,MOTOR START***.....1 <i>(to SN IWP08-7754)</i>		26	40318GT	SEAL,O-RING,PUMP***.....1	
7	40400GT	BEARING,MOTOR.....1		27	38154GT	PUMP ASSEMBLY,MONARCH,AC/DC***.....1 <i>(includes items 8, 12, 28)</i>	
8	38156GT	VALVE,RELIEF KIT,MONARCH**.....1		28	40401GT	SEAL,MOTOR.....1	
9	100866GT	VALVE,2-POS 2-WAY*** <i>(from SN IWP05-5806) (includes items 10 and 11)</i>		29	124188GT	BELL HOUSING,POWER UNIT,CE <i>(CE models from SN IWP08-7709)</i>	
--	100867GT	CARTRIDGE W/ NUT <i>(from SN IWP05-5806) (with N.O. solenoid)</i>					
9A	100866GT	VALVE,2-POS 2-WAY*** <i>(to SN IWP05-5805) (includes items 10 and 11)</i>					
--	40392GT	CARTRIDGE WITH NUT*** <i>(to SN IWP05-5805) (with N.O. solenoid)</i>					
10	100869GT	NUT,SOLENOID VALVE*** <i>(from SN IWP05-5806)</i>					
10A	100869GT	NUT,SOLENOID VALVE*** <i>(to SN IWP05-5805)</i>					



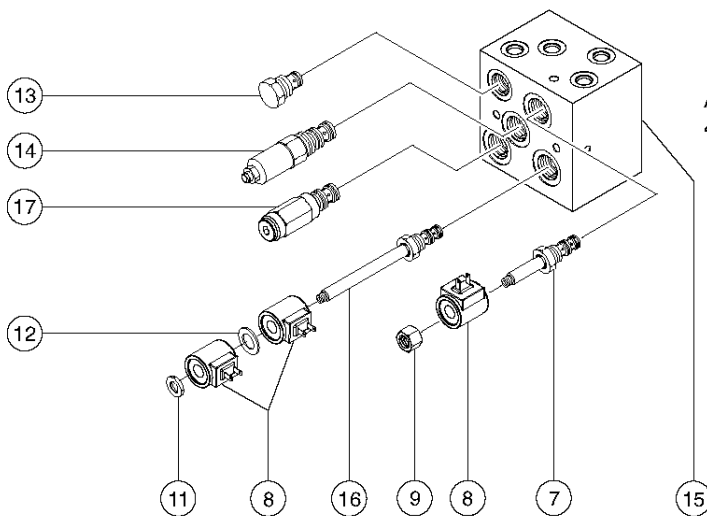
604.1 Power Wheel Assist Manifold



Before serial number
4097-991



From serial number
4097-991 to 4098-1749



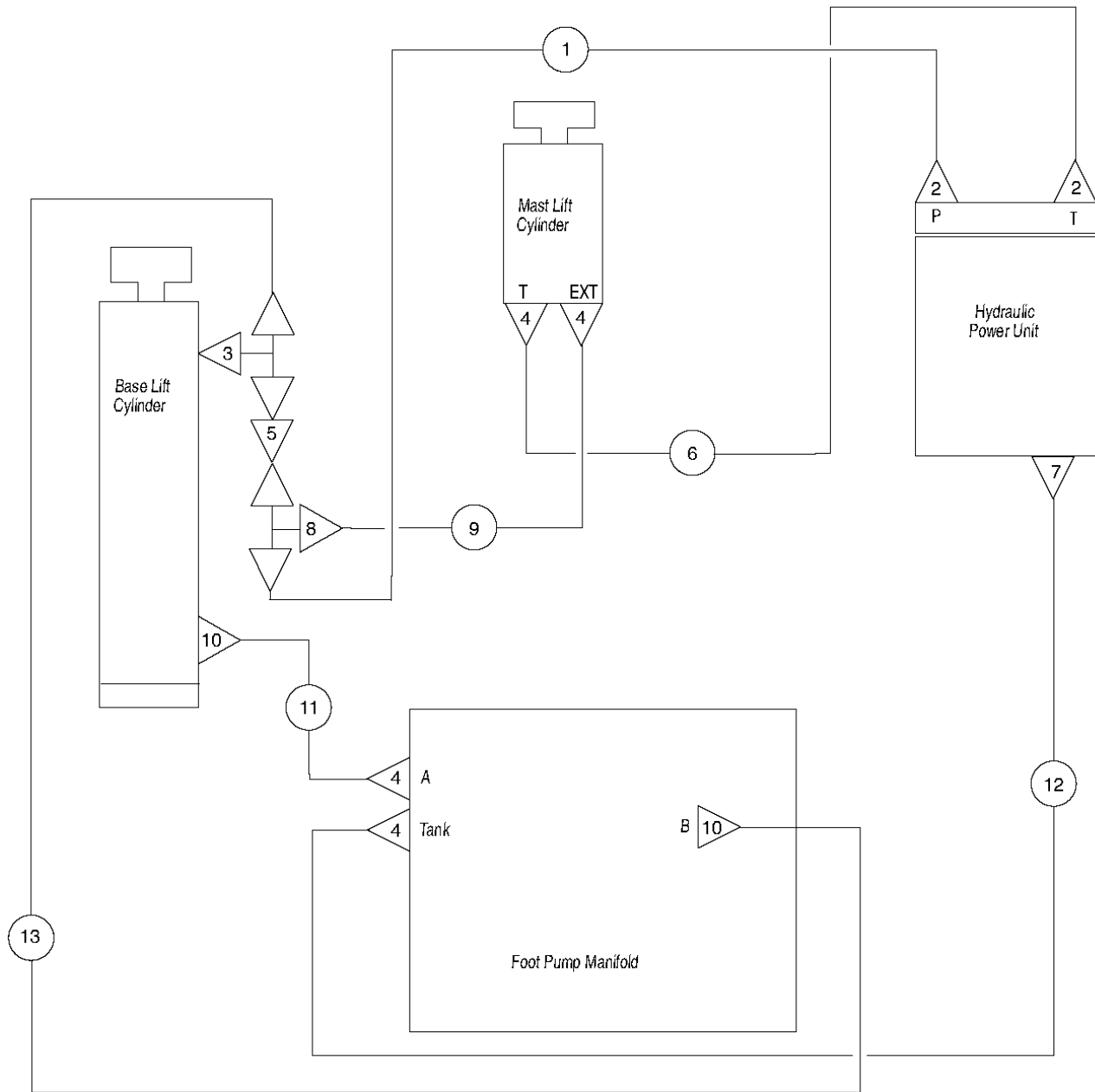
After serial number
4098-1749

604.1 Power Wheel Assist Manifold

Item	Part No.	Description	Qty.	Item	Part No.	Description	Qty.
1	37875GT	MANIFOLD,SELF DRIVE.....1 <i>(to SN 4097-990)</i>	1	16	52912GT	VALVE,3POSITION,4WAY*.....1 <i>(from SN 4098-1749)</i>	1
--	27762GT	VALVE,SOLENOID <i>(to SN 4097-990) (includes items 2, 3 and 4)</i>		--	44229GT	SEAL KIT, VALVE <i>(from SN 4098-1749)</i>	
--	48343GT	MANIFOLD BODY, PWR.WHL. IWPCWP <i>(to SN 4097-990)</i>		17	57255GT	VALVE,CROSS PORT RELIEF.....1 <i>(from SN 4098-1749)</i>	1
2	48342GT	VALVE, SOLENOID 2P3W W/O COIL.....3 <i>(to SN 4097-990)</i>	3				
3	21444GT	COIL,12 VOLT (21299 MANIFOLD).....3 <i>(to SN 4097-990)</i>	3				
4	45912GT	NUT,SOLENOID VALVE 2P3W.....3 <i>(to SN 4097-990)</i>	3				
5	45543GT	VALVE,CHECK, 50 PSI.....1 <i>(to SN 4097-990)</i>	1				
6	43953GT	MANIFOLD,POWER ASSIST.....1 <i>(from SN 4097-991 to 4098-1749)</i>	1				
--		MANIFOLD,BLOCK ONLY,IWP-S/CWP (46257) <i>(component no longer available)</i>					
7	44997GT	VALVE,SOLENOID,2POS 2WAY N.O.*....1 <i>(from SN 4097-991)</i>	1				
--	44228GT	SEAL KIT, VALVE <i>(from SN 4097-991)</i>					
8	46215GT	COIL,SOLENOID,IWP-S/CWP PWR AS.....2 <i>(from SN 4097-991)</i>	2				
9	46258GT	NUT, CARTRIDGE VALVE.....1 <i>(from SN 4097-991)</i>	1				
10	39346GT	VALVE,SOLENOID 3 POS.4 WAY***.....1 <i>(from SN 4097-991 to 4098-1749)</i>	1				
--	44229GT	SEAL KIT, VALVE <i>(from SN 4097-991 to 4098-1749)</i>					
11	44973GT	NUT,COIL (39909).....1 <i>(from SN 4097-991)</i>	1				
12	44236GT	SPACER-DUAL COIL,#8***.....1 <i>(from SN 4097-991)</i>	1				
13	46216GT	VALVE,CHECK,IWP-S/CWP PWR ASSI.....1 <i>(from SN 4097-991)</i>	1				
--	44228GT	SEAL KIT, VALVE <i>(from SN 4097-991)</i>					
14	46217GT	VALVE,RELIEF IWP-S/CWP-S.....1 <i>(from SN 4097-991)</i>	1				
--	44228GT	SEAL KIT, VALVE <i>(from SN 4097-991)</i>					
15	57168GT	MANIFOLD,CWP/IWP,PWA,W/BRAKE**.1 <i>(from SN 4098-1749)</i>	1				
--		MANIFOLD,BLOCK ONLY,IWP-S/CWP (46257) <i>(component no longer available)</i>					
--	46257GT	MANIFOLD,BLOCK ONLY,IWP-S/CWP <i>(from SN 4098-1749)</i>					



605.1 Hydraulic Hoses and Fittings (to serial number IWP07-7101)

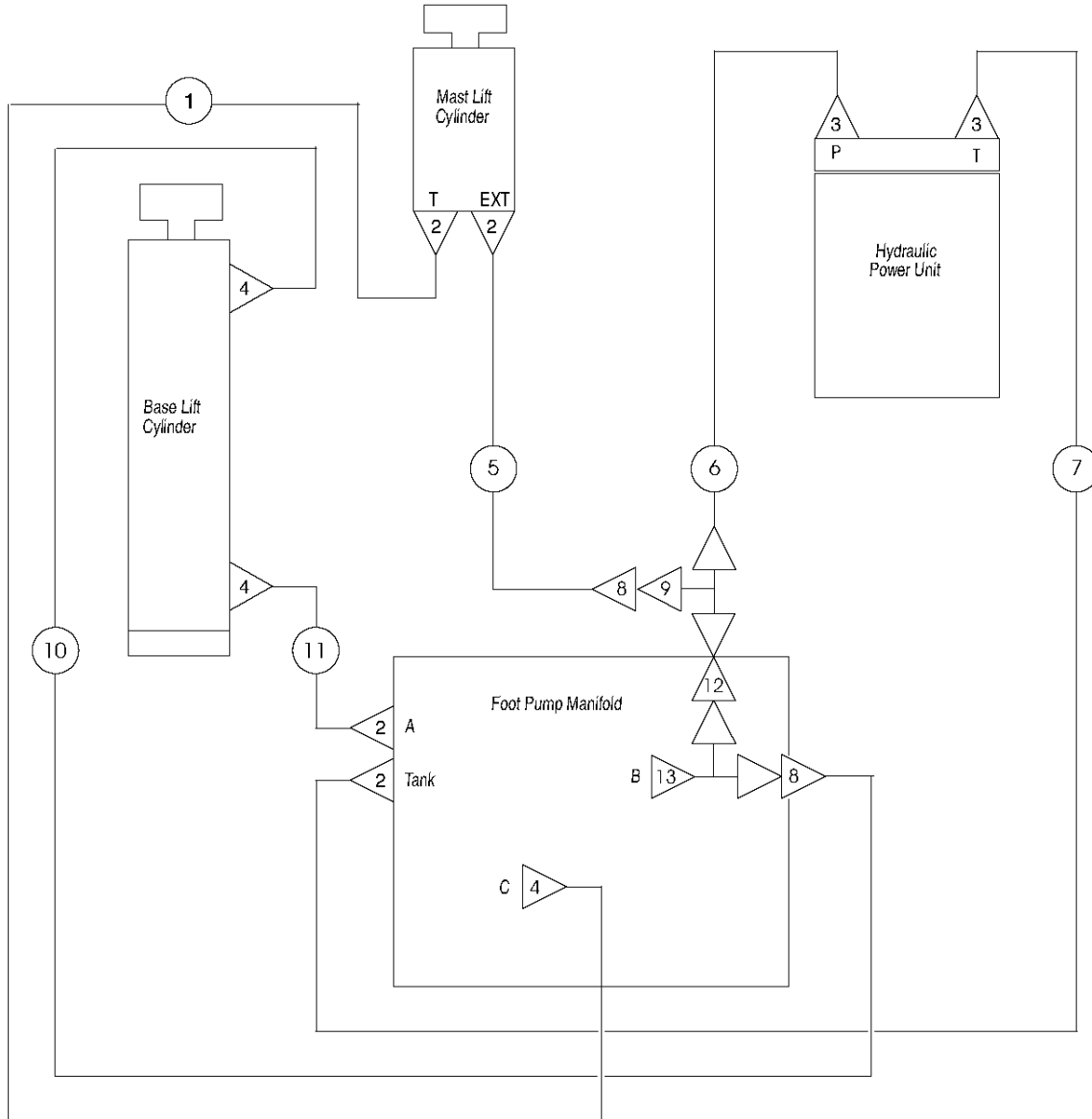


LEGEND	
	FITTING
	HOSE ASSEMBLY
	CONNECTOR

605.1 Hydraulic Hoses and Fittings (to serial number IWP07-7101)

Item	Part No.	Description	Qty.
--		<i>The hose lengths below reflect the length of the hose only. Refer to the 'Fittings Cross Reference' to match Genie part numbers to Parker part numbers.</i>	
1	80621GT	HOSE ASSY,PARKER,49.9",IWP.....1 <i>components: 78855, 78855, and 78852 @ 49.9 inches</i>	
2	12340GT	ELBOW,070220-4-6.....2	
3	25628GT	TEE,BRANCH,070429-4-4.....1	
4	13755GT	CONNECTOR,070120-4-4.....4	
5	37868GT	FITTING-4 W/.030 ORIFICE.....1	
6	80623GT	HOSE ASSY,62.4",IWP-PRKR.....1 <i>components: 78855, 78855, and 78852 @ 62.4 inches</i>	
7	20630GT	ELBOW,070202-4-4.....1 <i>(for models with metal reservoir)</i>	
7A	39875GT	ELBOW,070220-4-6 <i>(for models with plastic reservoir)</i>	
8	13757GT	TEE,RUN,070432-4.....1	
9	80622GT	HOSE ASSY,33.9",IWP-PRKR.....1 <i>components: 78855, 78855, and 78852 @ 33.9 inches</i>	
10	13921GT	ELBOW,070220-4-4.....2	
11	80619GT	HOSE ASSY,24.9",IWP STD-PRKR.....1 <i>standard base; components 78855, 78855, and 78852 @ 24.9 inches</i>	
11A	80629GT	HOSE ASSY,32.9",IWP WIDE-PRKR....1 <i>wide base; components 78855, 78855, and 78852 @ 32.9 inches</i>	
12	80618GT	HOSE ASSY,55.6",IWP-PRKR.....1 <i>standard base; components 80613, 80613, and 80612 @ 55.6 inches</i>	
12A	80628GT	HOSE ASSY,63.6",IWP WIDE-PRKR....1 <i>wide base; components 80613, 80613, and 80612 @ 63.6 inches</i>	
13	80620GT	HOSE ASSY,32.4",IWP-PRKR.....1 <i>standard base; components 78855, 78855, and 78852 @ 32.4 inches</i>	
13A	80630GT	HOSE ASSY,40.4",IWP WIDE-PRKR....1 <i>wide base; components 78855, 78855, and 78852 @ 40.4 inches</i>	

605.2 Hydraulic Hoses and Fittings (from serial number IWP07-7102)






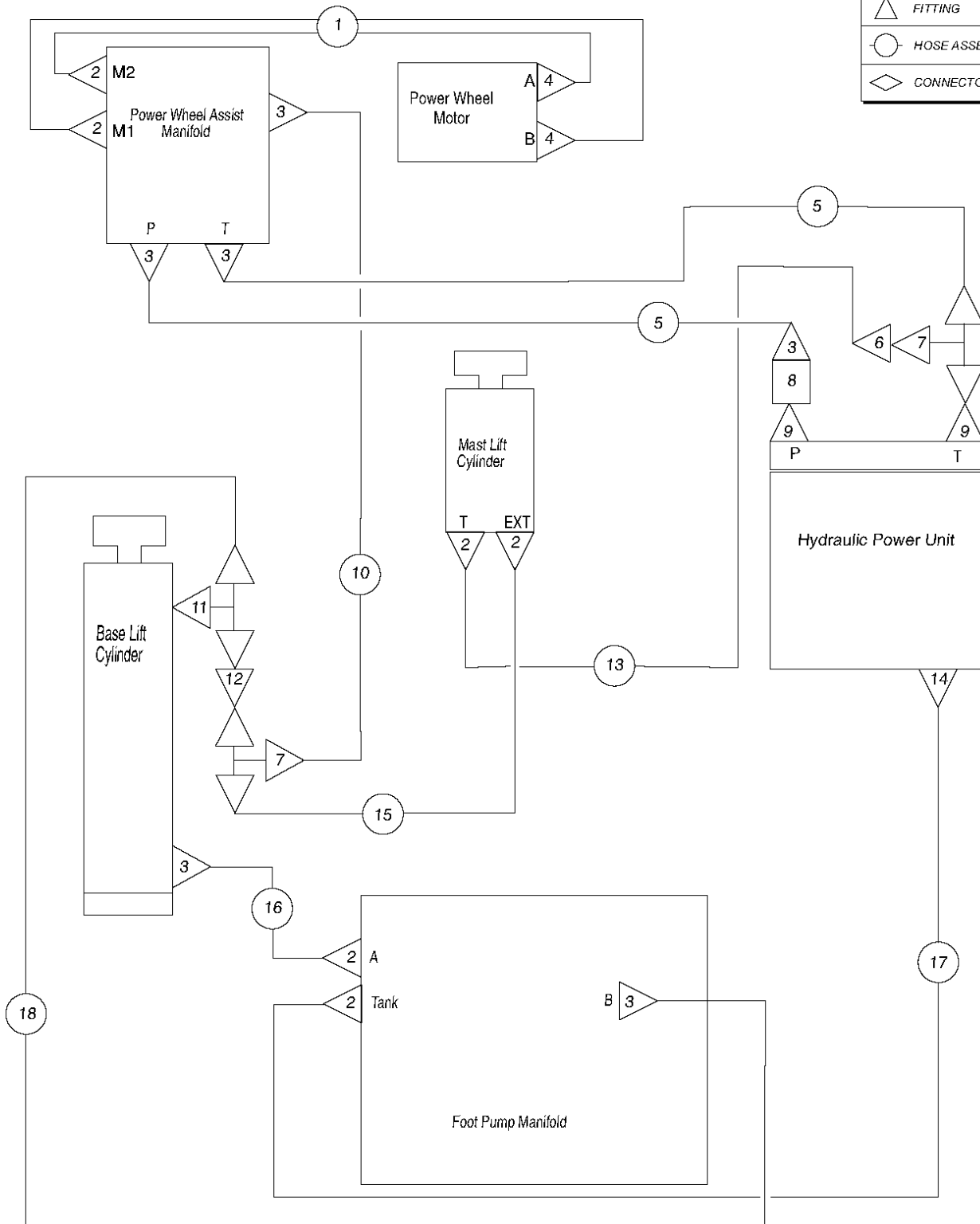
LEGEND	
	FITTING
	HOSE ASSEMBLY
	CONNECTOR

605.2 Hydraulic Hoses and Fittings (from serial number IWP07-7102)

Item	Part No.	Description	Qty.
--		<i>The hose lengths below reflect the length of the hose only. Refer to the 'Fittings Cross Reference' to match Genie part numbers to Parker part numbers.</i>	
1	109975GT	HOSE ASSY,28",IWP-PRKR.....1 <i>components: 78855, 78855 & 78852 @ 28"</i> <i>; standard base models</i>	
1A	109980GT	HOSE ASSY,36",IWP-PRKR <i>components: 78855, 78855 & 78852 @ 36"; wide base models</i>	
2	13755GT	CONNECTOR,070120-4-4.....4	
3	12340GT	ELBOW,070220-4-6.....2	
4	13921GT	ELBOW,070220-4-4.....2	
5	109976GT	HOSE ASSY, 47".....1 <i>components: 78855, 78855 & 78852 @ 47"</i> <i>; standard base models</i>	
5A	109984GT	HOSE ASSY,62",IWP-PRKR <i>components: 78855, 78855 & 78852 @ 62"; wide base models</i>	
6	109973GT	HOSE ASSY,66",IWP-PRKR.....1 <i>components: 78855, 78855 & 78852 @ 66"</i> <i>; standard base models</i>	
6A	109978GT	HOSE ASSY,76",IWP-PRKR <i>components: 78855, 78855 & 78852 @ 76"; wide base models</i>	
7	109974GT	HOSE ASSY,68",IWP-PRKR.....1 <i>components: 80613, 80613 & 80612 @ 68"</i> <i>; standard base models</i>	
7A	109979GT	HOSE ASSY78",IWP-PRKR.....1 <i>components: 80613, 80613 & 806122 @ 78"; standard base models</i>	
8	45415GT	ELBOW,070221-4-4.....2	
9	13757GT	TEE,RUN,070432-4.....1	
10	109977GT	HOSE ASSY,33".IWP-PRKR.....1 <i>components: 78855, 78855 & 78852 @ 33"</i> <i>; standard base models</i>	
10A	109982GT	HOSE ASSY,41",IWP-PRKR.....1 <i>components: 78855, 78855 & 78852 @ 41"</i> <i>; standard base models</i>	
11	80619GT	HOSE ASSY,24.9",IWP STD-PRKR.....1 <i>components: 78855, 78855 & 78852 @ 24.9"; standard base models</i>	
11A	80629GT	HOSE ASSY,32.9",IWP WIDE-PRKR.....1 <i>components: 78855, 78855 & 78852 @ 32.9"; wide base models</i>	
12	37868GT	FITTING-4 W/.030 ORIFICE.....1	
13	39872GT	TEE,RUN,070428-4.....1	

606.1 Hydraulic Hoses and Fittings, Models with Power Assist Option (to serial number 4097-990)

LEGEND	
	FITTING
	HOSE ASSEMBLY
	CONNECTOR

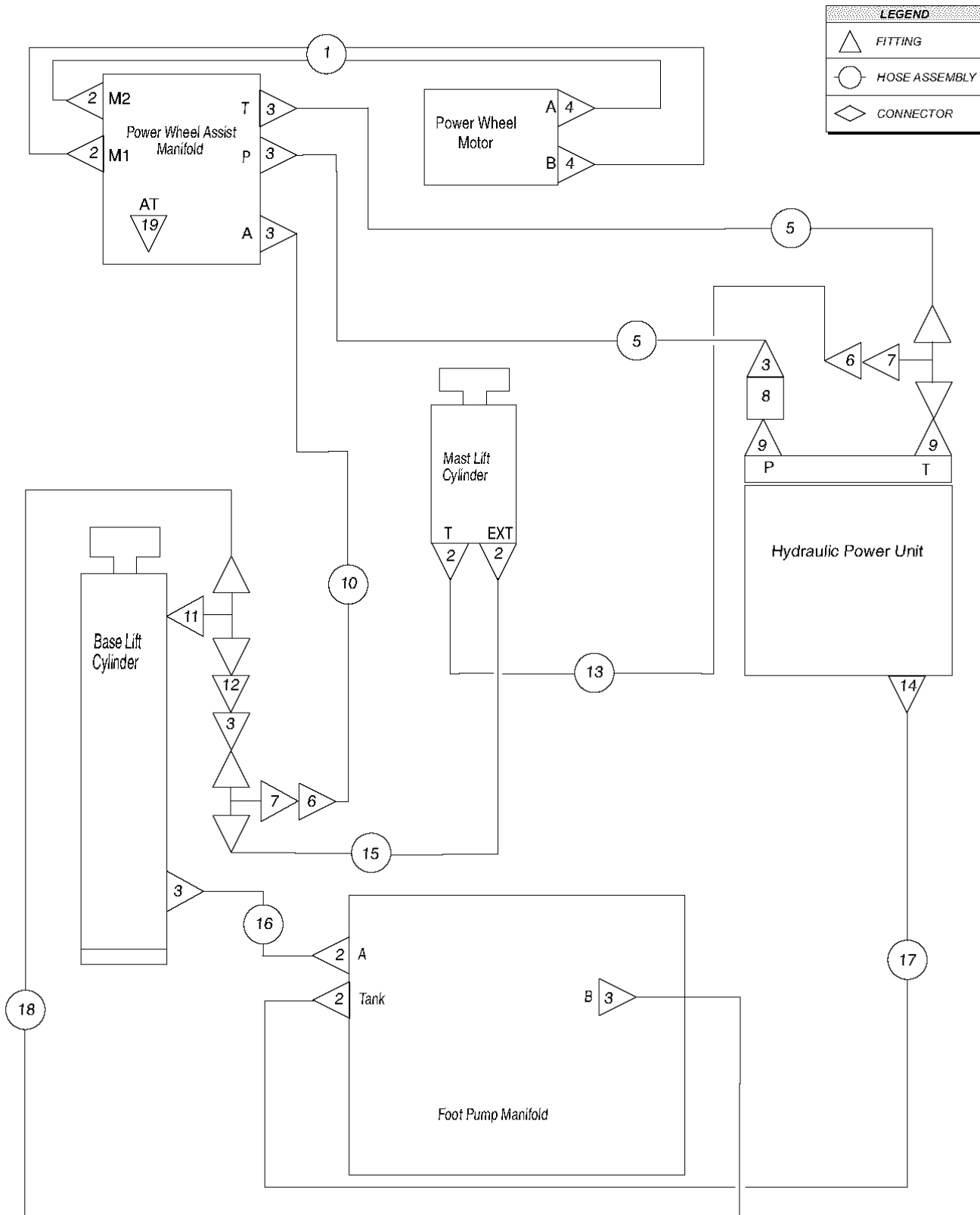


606.1 Hydraulic Hoses and Fittings, Models with Power Assist Option (to serial number 4097-990)

Item	Part No.	Description	Qty.	Item	Part No.	Description	Qty.
--		<i>The hose lengths below reflect the length of the hose only. Refer to the 'Fittings Cross Reference' to match Genie part numbers to Parker part numbers.</i>		18A	80630GT	HOSE ASSY,40.4",IWP WIDE-PRKR Components: 78855, 78855, 78852 @40.7 inches	
1	40643GT	HOSE ASSY,40",IWP-PWA,90ø,SNFL....1 Components: 8760, 8760, 8761, 8761, 38737 @ 40 inches and 38737 @ 40 inches (includes sleeve and hose protector)					
--	40215GT	SLEEVE, NYLON, 1.06" ID					
--	40647GT	Nylon Sleeve.....2					
2	13755GT	CONNECTOR,070120-4-4.....6					
3	13921GT	ELBOW,070220-4-4.....6					
4	35497GT	CONNECTOR,070120-4-10.....2					
5	85487GT	HOSE ASSY,62",IWP-PWA-PRKR.....2 Components: 80613, 80613, 80612 @ 62 inches					
6	45415GT	ELBOW,070221-4-4.....1					
7	13757GT	TEE,RUN,070432-4.....2					
8	34643GT	VALVE,CHECK,#4 O-RING PORTS.....1					
9	12340GT	ELBOW,070220-4-6.....2					
10	85489GT	HOSE ASSY, 45.1",IWP-PWA,PRKR.....1 Components: 80613, 80613, 80612 @ 45.1 inches					
11	25628GT	TEE,BRANCH,070429-4-4.....1					
12	37868GT	FITTING-4 W/.030 ORIFICE.....1					
13	80623GT	HOSE ASSY,62.4",IWP-PRKR.....1 Components: 78855, 78855, 78852 @62.4 inches					
14	20630GT	ELBOW,070202-4-4.....1 for models with metal reservoir					
14A	39875GT	ELBOW,070220-4-6 for models with plastic reservoir					
15	80622GT	HOSE ASSY,33.9",IWP-PRKR.....1 Components: 78855, 78855, 78852 @33.9 inches					
16	80619GT	HOSE ASSY,24.9",IWP STD-PRKR.....1 Components: 78855, 78855, 78852 @24.9 inches					
16A	80629GT	HOSE ASSY,32.9",IWP WIDE-PRKR Components: 78855, 78855, 78852 @32.9 inches					
17	80618GT	HOSE ASSY,55.6",IWP-PRKR.....1 Components: 80613, 80613, 80612 @ 55.6 inches					
17A	80628GT	HOSE ASSY,63.6",IWP WIDE-PRKR Components: 80613, 80613, 80612 @ 63.6 inches					
18	80620GT	HOSE ASSY,32.4",IWP-PRKR.....1 Components: 78855, 78855, 78852 @32.7 inches					



606.2 Hydraulic Hoses and Fittings, Models with Power Assist Option (from serial number 4097-991 to 4098-1748)

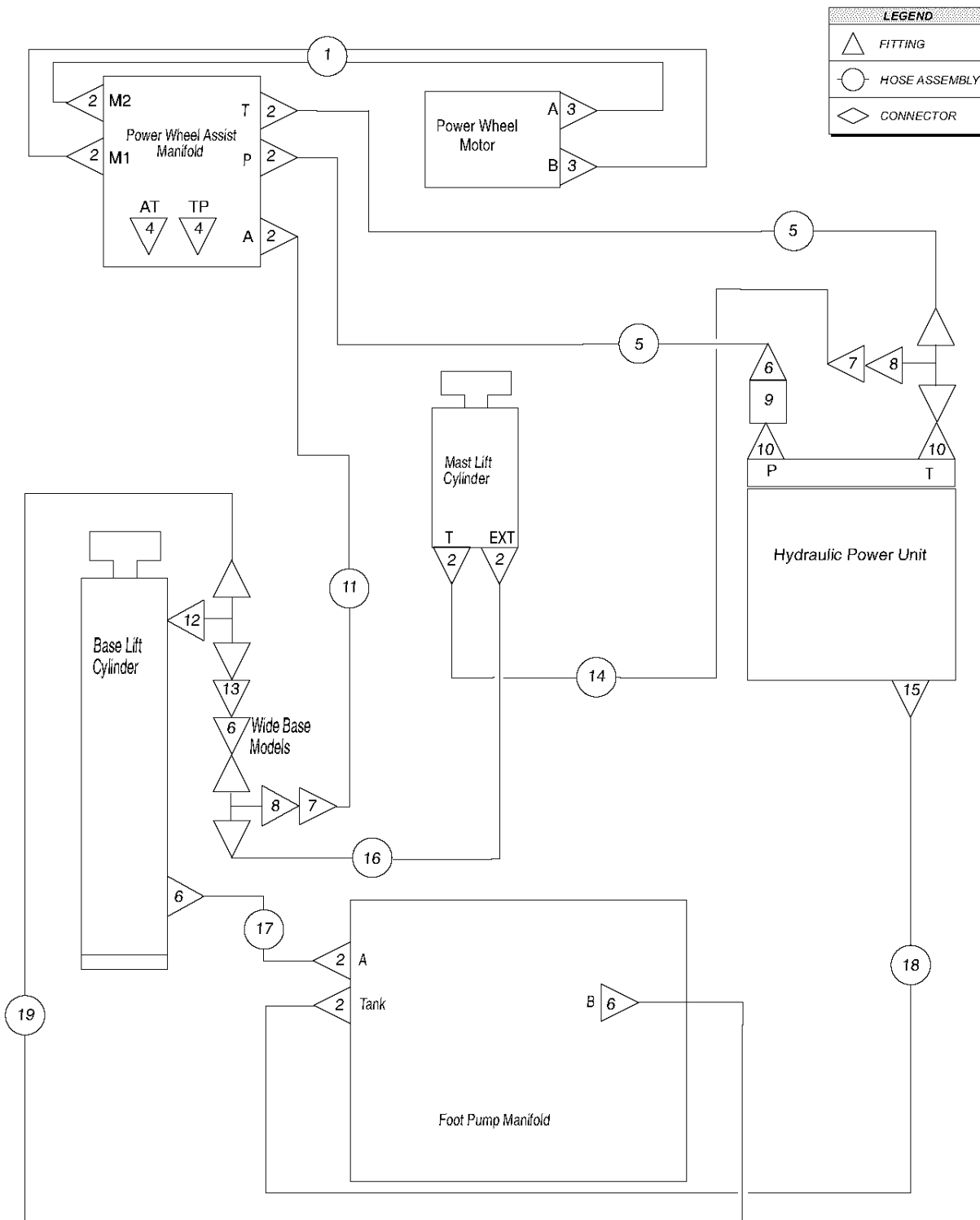


606.2 Hydraulic Hoses and Fittings, Models with Power Assist Option (from serial number 4097-991 to 4098-1748)

Item	Part No.	Description	Qty.	Item	Part No.	Description	Qty.
--		<i>The hose lengths below reflect the length of the hose only. Refer to the 'Fittings Cross Reference' to match Genie part numbers to Parker part numbers.</i>		16A	80629GT	HOSE ASSY,32.9",IWP WIDE-PRKR (from SN 4097-991 to 4098-1748) (Wide Base; components: 78855, 78855, and 78852 @ 32.9 inches)	
1	85488GT	HOSE ASSY,34", IWP-PWA-PRKR.....1 (from SN 4097-991 to 4098-1748) (includes hose protector and sleeve)	1	17	80618GT	HOSE ASSY,55.6",IWP-PRKR.....1 (from SN 4097-991 to 4098-1748) (Standard Base; components: 80613, 80613, and 80612 @ 55.6 inches)	1
--	40215GT	SLEEVE, NYLON, 1.06" ID.....2 (from SN 4097-991 to 4098-1748)	2	17A	80628GT	HOSE ASSY,63.6",IWP WIDE-PRKR (from SN 4097-991 to 4098-1748) (Wide Base; components: 80613, 80613, and 80612 @ 63.6 inches)	
--	40607GT	HOSE PROTECTOR,1/4 IN.BLACK RD (from SN 4097-991 to 4098-1748)		18	80620GT	HOSE ASSY,32.4",IWP-PRKR.....1 (from SN 4097-991 to 4098-1748) (Standard Base; components: 78855, 78855, and 78852 @ 32.4 inches)	1
2	13755GT	CONNECTOR,070120-4-4.....6 (from SN 4097-991 to 4098-1748)	6	18A	80630GT	HOSE ASSY,40.4",IWP WIDE-PRKR (from SN 4097-991 to 4098-1748) (Wide Base; components: 78855, 78855, and 78852 @ 40.4 inches)	
3	13921GT	ELBOW,070220-4-4.....7 (from SN 4097-991 to 4098-1748)	7	19	45374GT	PLUG,HEX HEAD,090109A-4.....1 (from SN 4097-991 to 4098-1748)	1
4	35497GT	CONNECTOR,070120-4-10.....2 (from SN 4097-991 to 4098-1748)	2				
5	85487GT	HOSE ASSY,62",IWP-PWA-PRKR.....2 (from SN 4097-991 to 4098-1748) (components: 80613, 80613, and 80612 @ 62 inches)	2				
6	45415GT	ELBOW,070221-4-4.....2 (from SN 4097-991 to 4098-1748)	2				
7	13757GT	TEE,RUN,070432-4.....2 (from SN 4097-991 to 4098-1748)	2				
8	34643GT	VALVE,CHECK,#4 O-RING PORTS.....1 (from SN 4097-991 to 4098-1748)	1				
9	12340GT	ELBOW,070220-4-6.....2 (from SN 4097-991 to 4098-1748)	2				
10	85486GT	HOSE ASSY,32",IWP-PWA,PRKR.....2 (from SN 4097-991 to 4098-1748) (components: 78855, 78855, and 78852 @ 32 inches)	2				
11	25628GT	TEE,BRANCH,070429-4-4.....1 (from SN 4097-991 to 4098-1748)	1				
12	37868GT	FITTING-4 W/.030 ORIFICE.....1 (from SN 4097-991 to 4098-1748)	1				
13	80623GT	HOSE ASSY,62.4",IWP-PRKR.....1 (from SN 4097-991 to 4098-1748) (components: 78855, 78855, and 78852 @ 62.4 inches)	1				
14	20630GT	ELBOW,070202-4-4.....1 (from SN 4097-991 to 4098-1748)	1				
15	80622GT	HOSE ASSY,33.9",IWP-PRKR.....1 (from SN 4097-991 to 4098-1748) (components: 78855, 78855, and 78852 @ 33.9 inches)	1				
16	80619GT	HOSE ASSY,24.9",IWP STD-PRKR.....1 (from SN 4097-991 to 4098-1748) (Standard Base; components: 78855, 78855, and 78852 @ 24.9 inches)	1				



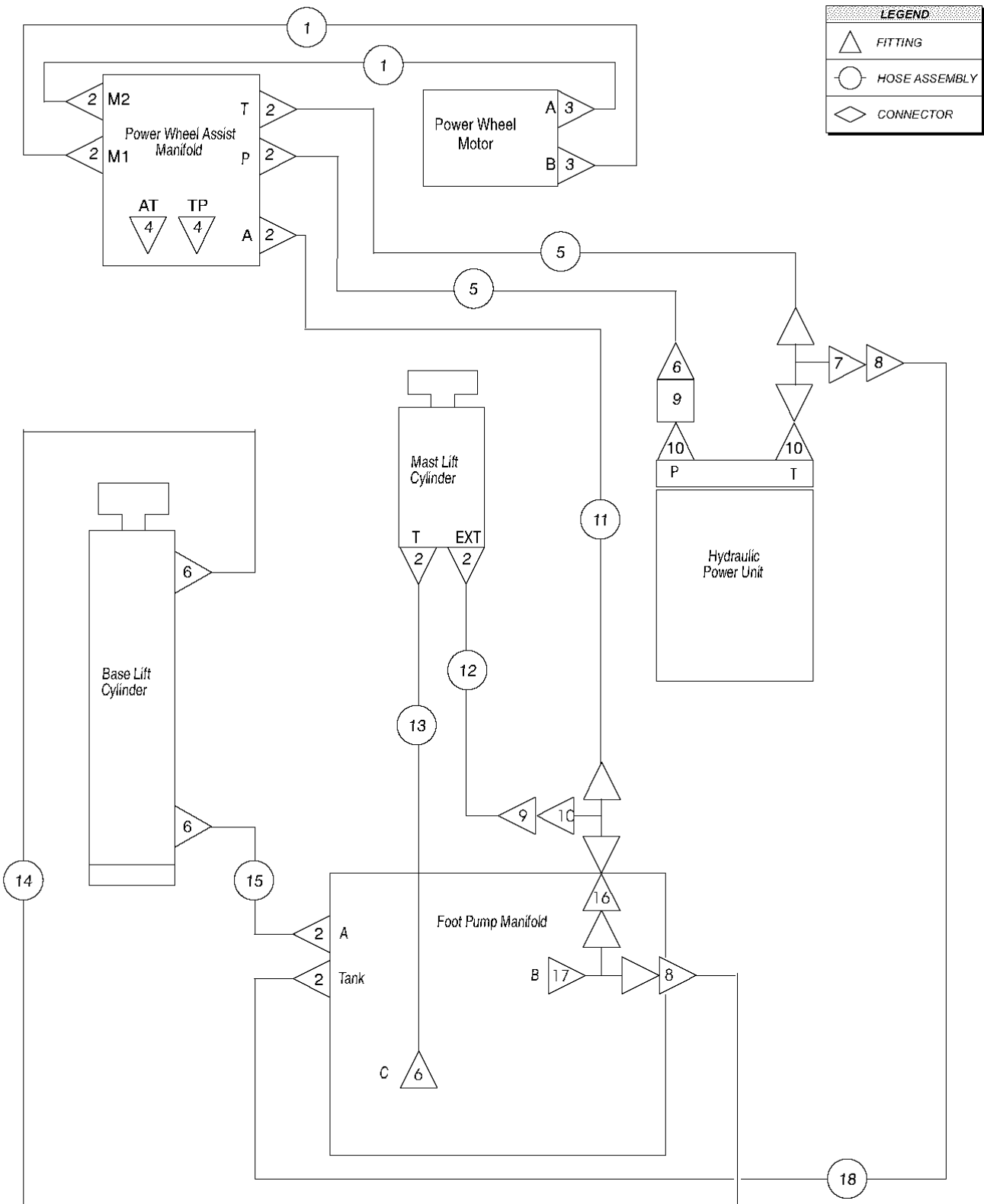
606.3 Hydraulic Hoses and Fittings, Models with Power Assist Option (from serial number 4098-1749 to IWP07-7101)



606.3 Hydraulic Hoses and Fittings, Models with Power Assist Option (from serial number 4098-1749 to IWP07-7101)

Item	Part No.	Description	Qty.	Item	Part No.	Description	Qty.
--		<i>The hose lengths below reflect the length of the hose only. Refer to the 'Fittings Cross Reference' to match Genie part numbers to Parker part numbers.</i>		19A	80630GT	HOSE ASSY,40.4",IWP WIDE-PRKR wide base; components: 78855, 78855, and 78852 @ 40.4 inches	
1	85488GT	HOSE ASSY,34", IWP-PWA-PRKR.....1 <i>includes hose protector and sleeve; components: 80613, 80613, 80613, 80613, 80612 @34 inches and 80612 @ 34 inches</i>					
--	40215GT	SLEEVE, NYLON, 1.06" ID.....2					
--	40607GT	HOSE PROTECTOR,1/4 IN.BLACK RD					
2	13755GT	CONNECTOR,070120-4-4.....10					
3	35497GT	CONNECTOR,070120-4-10.....2					
4	45374GT	PLUG,HEX HEAD,090109A-4.....1 <i>(manifold models HF971017 and HF990133)</i>					
5	85487GT	HOSE ASSY,62",IWP-PWA-PRKR.....2 <i>components: 80613, 80613 and 80612 @ 62 inches</i>					
6	13921GT	ELBOW,070220-4-4.....3					
7	45415GT	ELBOW,070221-4-4.....2					
8	13757GT	TEE,RUN,070432-4.....2					
9	34643GT	VALVE,CHECK,#4 O-RING PORTS.....1					
10	12340GT	ELBOW,070220-4-6.....2					
11	85486GT	HOSE ASSY,32",IWP-PWA,PRKR.....2 <i>components: 78855, 78855, and 78852 @32 inches</i>					
12	25628GT	TEE,BRANCH,070429-4-4.....1					
13	37868GT	FITTING-4 W/.030 ORIFICE.....1					
14	80623GT	HOSE ASSY,62.4",IWP-PRKR.....1 <i>components: 78855, 78855, and 78852 @ 62.4 inches</i>					
15	20630GT	ELBOW,070202-4-4.....1					
16	80622GT	HOSE ASSY,33.9",IWP-PRKR.....1 <i>components: 78855, 78855, and 78852 @ 33.9 inches</i>					
17	80619GT	HOSE ASSY,24.9",IWP STD-PRKR.....1 <i>standard base; components: 78855, 78855, and 78852 @ 24.9 inches</i>					
17A	80629GT	HOSE ASSY,32.9",IWP WIDE-PRKR wide base; components: 78855, 78855, and 78852 @ 32.9 inches					
18	80618GT	HOSE ASSY,55.6",IWP-PRKR.....1 <i>standard base; components: 80613, 80613, and 80612 @ 55.6 inches</i>					
18A	80628GT	HOSE ASSY,63.6",IWP WIDE-PRKR wide base; components: 80613, 80613, and 80612 @ 63.6 inches					
19	80620GT	HOSE ASSY,32.4",IWP-PRKR.....1 <i>standard base; components: 78855, 78855, and 78852 @ 32.4 inches</i>					

606.4 Hydraulic Hoses and Fittings, Models with Power Assist Option (from serial number IWP07-7102)

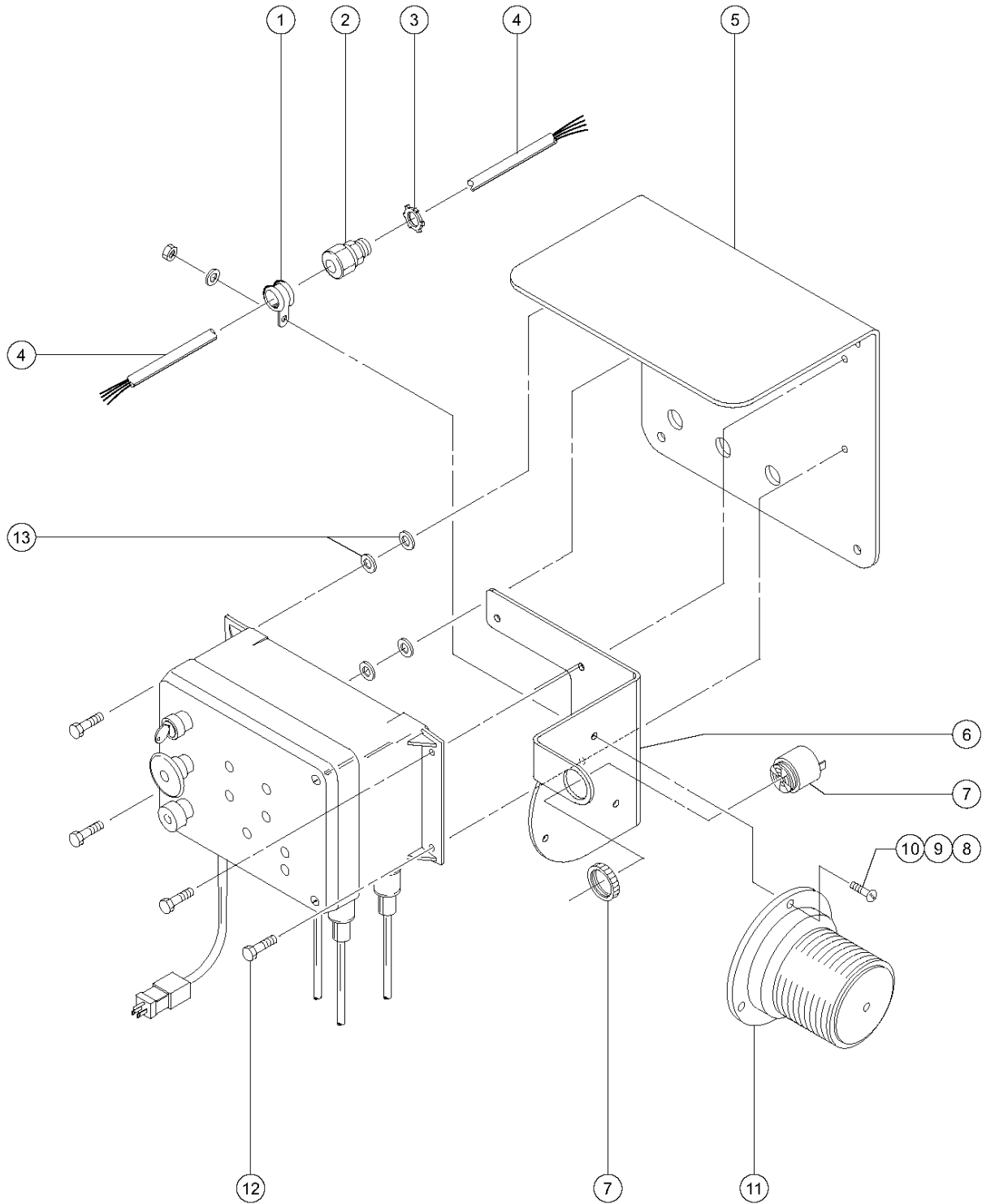


606.4 Hydraulic Hoses and Fittings, Models with Power Assist Option (from serial number IWP07-7102)

Item	Part No.	Description	Qty.	Item	Part No.	Description	Qty.
--		<i>The hose lengths below reflect the length of the hose only. Refer to the 'Fittings Cross Reference' to match Genie part numbers to Parker part numbers.</i>		16	37868GT	FITTING-4 W/.030 ORIFICE.....	1
				17	39872GT	TEE,RUN,070428-4.....	1
1	85488GT	HOSE ASSY,34", IWP-PWA-PRKR..... <i>includes hose protector and sleeve; components: 80613, 80613, 80613, 80613, 80612 @ 34" and 80612 @ 34"</i>	1				
--	40215GT	SLEEVE, NYLON, 1.06" ID.....	2				
--	40607GT	HOSE PROTECTOR,1/4 IN.BLACK RD					
2	13755GT	CONNECTOR,070120-4-4.....	9				
3	35497GT	CONNECTOR,070120-4-10.....	2				
4	45374GT	PLUG,HEX HEAD,090109A-4..... <i>(manifold modes HF971017 and HF990133)</i>	1				
5	85487GT	HOSE ASSY,62",IWP-PWA-PRKR..... <i>components: 80613, 80613, and 80612 @ 62 inches</i>	2				
6	13921GT	ELBOW,070220-4-4.....	3				
7	13757GT	TEE,RUN,070432-4.....	2				
8	45415GT	ELBOW,070221-4-4.....	2				
9	34643GT	VALVE,CHECK,#4 O-RING PORTS.....	1				
10	12340GT	ELBOW,070220-4-6.....	2				
11	109983GT	HOSE ASSY50",IWP-PRKR..... <i>standard base models; components: 78855, 78855, and 78852 @ 50 inches</i>	1				
11A	109984GT	HOSE ASSY,62",IWP-PRKR <i>wide base models; components: 78855, 78855, and 78852 @ 62 inches</i>					
12	109983GT	HOSE ASSY50",IWP-PRKR..... <i>standard base models; components: 78855, 78855, and 78852 @ 50 inches</i>	1				
12A	109984GT	HOSE ASSY,62",IWP-PRKR <i>wide base models; components: 78855, 78855, and 78852 @ 62 inches</i>					
13	109975GT	HOSE ASSY,28",IWP-PRKR..... <i>standard base models; components: 78855, 78855, and 78852 @ 28 inches</i>	1				
13A	109980GT	HOSE ASSY,36",IWP-PRKR <i>wide base models; components: 78855, 78855, and 78852 @ 36 inches</i>					
14	109977GT	HOSE ASSY,33".IWP-PRKR..... <i>standard base models; components: 78855, 78855, and 78852 @ 33 inches</i>	1				
14A	109982GT	HOSE ASSY,41",IWP-PRKR <i>wide base models; components: 78855, 78855, and 78852 @ 41 inches</i>					
15	80619GT	HOSE ASSY,24.9",IWP STD-PRKR..... <i>standard base models; components: 78855, 78855, and 78852 @ 24.9 inches</i>	1				
15A	80629GT	HOSE ASSY,32.9",IWP WIDE-PRKR <i>wide base models; components: 78855, 78855, and 78852 @ 32.9 inches</i>					



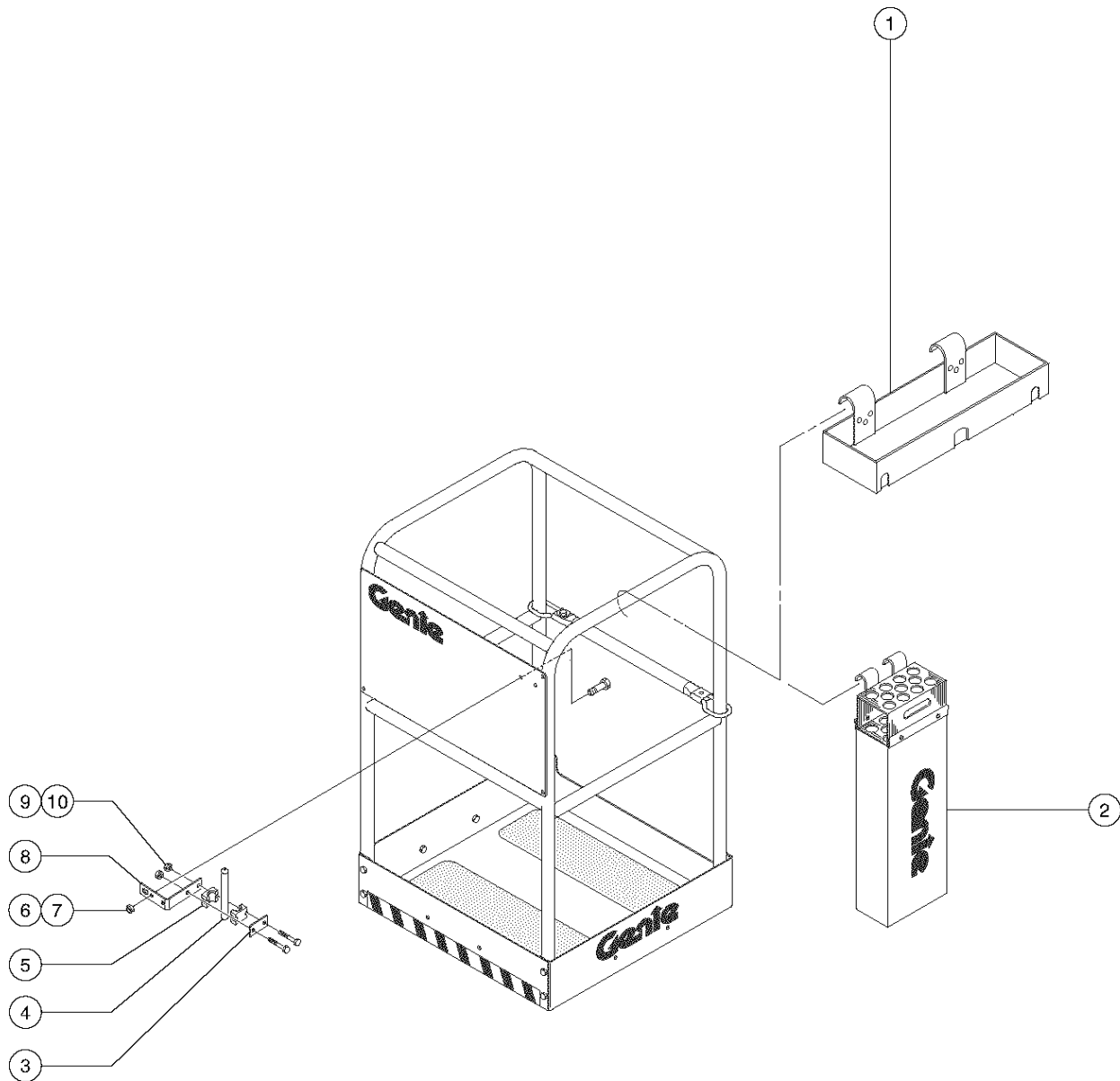
701.1 Operational Warning Light and Descent Alarm



701.1 Operational Warning Light and Descent Alarm

Item	Part No.	Description	Qty.
--	124008GT	ACC,DESCEND LIGHT/ALARM,IWP	
1	45470GT	CLAMP,0.31,#5 X 1/4,RUB CUSH.....1	
2	33576GT	CONN,SQZ,BLK,1/2NPT,.38-.50,SM.....1	
3	6935GT	LOCKNUT,ELEC,1/2".....1	
4	6562GT	WIRE CABLE,16/4 SJO,BULK...32-inches	
5	37765-SGT	PLATE,CONTROL BOX,"BLUE".....1	
6	41452-SGT	PLATE,STROBE/ALARM MTG,PAINTED.....1	
7	45383GT	ALARM,WARBLE TONE 5-30 VDC***1 <i>Does not include 72326 nut</i>	
--	72326GT	NUT - PLASTIC,RING FOR ALARMS	
8	49816GT	SCREW,PHILLIPS,PHM,10-32 X .75	
9	6607GT	WASHER,LOCK,#10 PLTD	
10	15513GT	NUT,HEX,10-32	
11	231237GT	STROBE, AC COMPAT., 12-80V AMB.....1	
--	226393GT	FLASHTUBE,STRAIGHT,360DEG,BULB	
--	72282GT	LENS,AMBER,STROBE,FIREBOLT	
12	43136GT	SCREW,PHM,1/4-20 X .625	
13	6638GT	WASHER,FLAT,USS,1/4"Y	

702.1 Tube Caddy, Tray and Platform Locating Light

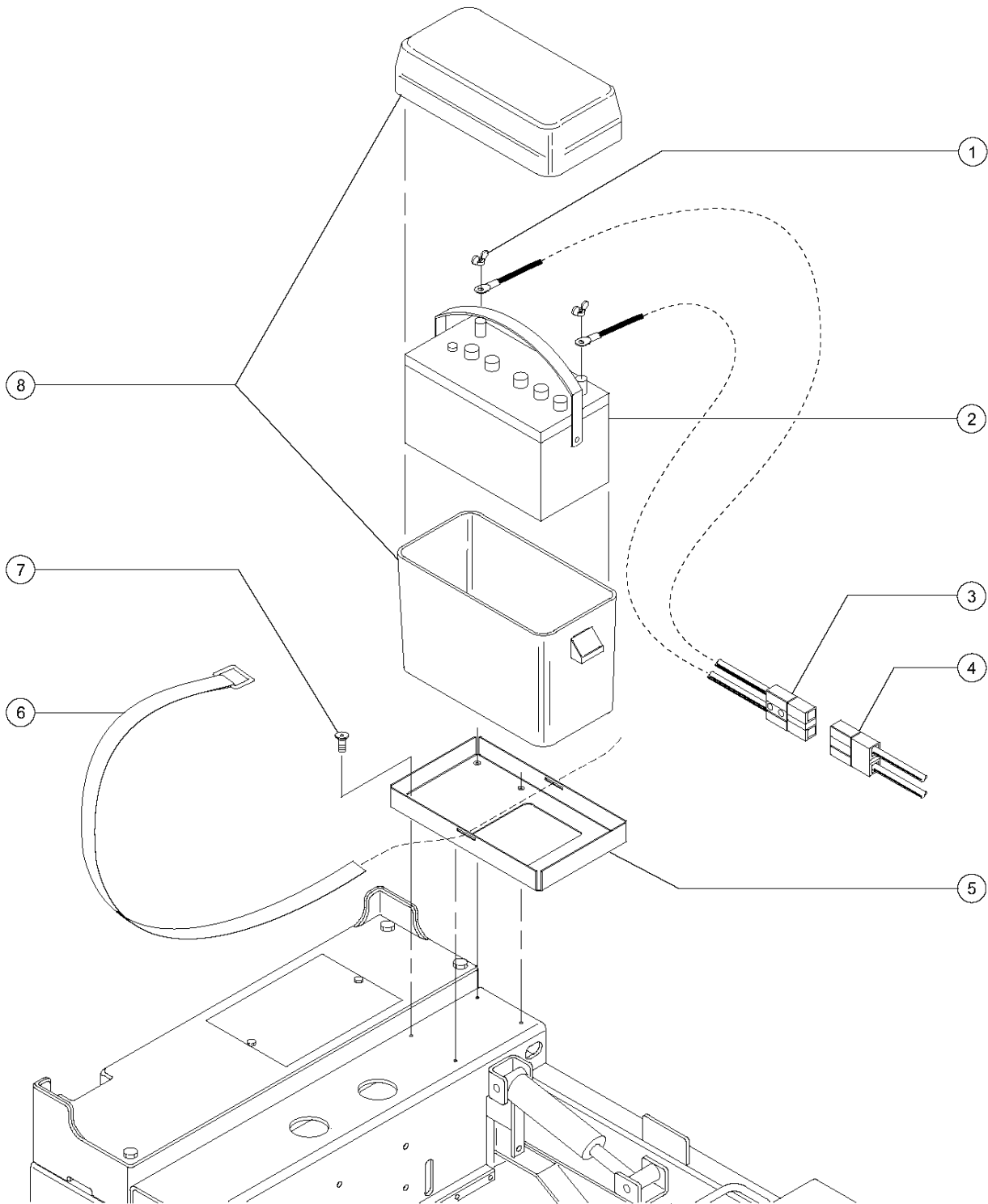


Note:
The Locating Light is mounted differently depending on the platform option.
Refer to the instruction sheet that comes with the kit for mounting location.

702.1 Tube Caddy, Tray and Platform Locating Light

Item	Part No.	Description	Qty.
1	9599-SGT	TOOL TRAY.....	1
2	38226GT	TUBE CADDY,AWP PLATFORM***..... <i>(includes mounting hardware and assembly instructions)</i>	1
3	80995GT	PLATE, LASER LOCATOR.....	1
4	43078GT	LASER,LOCATING ACCESSORY <i>(includes items 3 and 5 thru 10)</i>	
--	80993GT	LASER POINTER***.....	1
5	80994GT	CUSHION, LASER LOCATOR.....	2
6	4828GT	NUT,NYLOCK,3/8-16	
7	6175GT	SCREW,HHC,3/8-16 X 1	
8	80997GT	FORMING, LASER LOCATOR..... <i>(ultra narrow platform)</i>	1
9	6091GT	NUT,NYLOCK,1/4-20	
10	6637GT	SCREW,HHC,1/4-20 X 1.75	

703.1 Dual Battery Package



703.1 Dual Battery Package

Item	Part No.	Description	Qty.
--		<i>IWP SS Models were produced using two different threaded post sizes on the 57159 battery; 5/16 or 3/8 inch. A serial number break was not available. Refer to the specific machine to determine the correct wing nut.</i>	
1	69229GT	NUT,WING 5/16-18	
1A	69230GT	NUT,WING,3/8-16	
2	57159GT	BATTERY,12V GRP 27,105 AH, DRY.....1	
3	41219GT	PWR CBLE ASSY IWP DUAL BATTOPT.....1 <i>(clamp terminal post)</i>	
--	18189GT	BOOT,BATTERY TERMINAL,RED	
3A	69228GT	CABLE ASSY,BAT PACK/RING-TERM <i>(threaded terminal post)</i>	
--	96110GT	BOOT,CABLE TERMINAL COVER	
4	41220GT	PWR CBLE ASSY BATT TO MOTOR.....1	
--	96110GT	BOOT,CABLE TERMINAL COVER	
5A	37330PGT	BATTERY TRAY,IWP,PAINTED.....1 <i>to SN IWPG-9958</i>	
5B	1274982GT	FORMING, BATTERY TRAY.....1 <i>from SN IWPG-9959</i>	
6	40436GT	STRAP ASSY.-BATT. HOLD DOWN.....1	
7A	23903GT	SCREW,FHS,1/4-20 X .5 BLACK.....4 <i>to SN IWPG-9958</i>	
7B	40595GT	SCREW,FHS,1/4-20 X 1.75, ZINC.....4 <i>from SN IWPG-9959</i>	
8A	57161GT	BATTERY BOX,BLK W/ LID, GRP 27.....1 <i>to SN IWPG-9958</i>	
8B	1275097GT	BATTERY BOX, BLACK WITH LID, GROUP 27.....1 <i>from SN IWPG-9959</i>	
9	1274983GT	TUBE, SPACER, BATTERY TRAY.....2 <i>from SN IWPG-9959</i>	

Part Number Index

The Part Number Index is a numeric index of all part numbers included in this manual. The index shows what page(s) the part is used on.

Part Number	Page	Part Number	Page	Part Number	Page	Part Number	Page
10006GT	21	12346GT	28	145097GT	101	31068GT	11
100158GT	105, 107	124008GT	123	145191GT	87-88	31070GT	11, 13
100171GT	39, 41	124010GT	39, 41	145192GT	87-88	31071GT	11, 13
100193GT	59, 61, 63	124047GT	49	145343GT	105, 107	31073GT	11, 13
100194GT	59, 61, 63	124048GT	49	145348GT	17-18	31075GT	11, 13
100195GT	59, 61, 63	124049GT	49	14539GT	23	31076GT	11, 13
100255GT	105, 107	124104GT	81	14723GT	97	31077GT	11
100256GT	75, 77	124121GT	71-72	14815GT	18	31146GT	85, 91
100299GT	105, 107	124127GT	71-72	1505GT	81	31176GT	95
100302GT	18	124128GT	71-72	15436GT	97	31182GT	67-68, 72
100304GT	18	124130GT	21	15513GT	55, 123	31199GT	17-18
100305GT	18	124133GT	71-72	16364GT	57	31245GT	11, 13
100310GT	18	124183GT	105, 107	17017GT	27-28	31268GT	99
100311GT	18	124185GT	107	17626GT	55	31270GT	17-18
100810GT	51	124186GT	107	18189GT	55, 127	32424GT	17-18
100866GT	105, 107	124188GT	107	18503GT	55	32425GT	18
100867GT	107	124189GT	107	19436GT	55	32522GT	97
100868GT	107	124191GT	107	20342GT	72	33245PGT	55
100869GT	105, 107	124197GT	107	20630GT	111, 115, 117, 119	33550GT	11
100989GT	105, 107	124198GT	107	2095GT	87-88	33551GT	57, 61
100990GT	105, 107	124221GT	15	20980GT	27-28, 51	33576GT	23, 27-28, 123
100991GT	105, 107	12456GT	75, 77	21018GT	27-28, 68, 72, 75, 97, 105	33578GT	72
10107GT	17-18, 21, 25	12461GT	27-28	21019GT	17-18	33580GT	79, 81, 83
10153GT	67-68, 72	124641GT	28, 67-68, 71-72, 75, 77	21444GT	109	33581GT	72
10258GT	21	124642GT	67-68, 71-72	21604GT	51	33582GT	67-68, 72
10597GT	65	124644GT	75, 77	21618GT	51	33584GT	72
10598GT	17-18	124645GT	67-68	21619GT	51	33585GT	68, 72
107000GT	18	124646GT	67-68	21982GT	67-68, 71-72	33586GT	72
107001GT	18	124649GT	65	2223GT	39	33587GT	68, 72
107020GT	39	124650GT	65	226393GT	123	33589GT	79, 81, 83
107021GT	39	124975GT	75, 77	226802GT	87-88, 91	33590GT	79, 81, 83
107022GT	41	124984GT	97	22699GT	79, 81, 83	33591GT	79, 81, 83
107023GT	51	12560GT	81, 83	227145GT	25	33605GT	67-68
107027GT	18	1257696GT	68, 72	227351GT	17-18	33629GT	77
107029GT	27-28	1261234GT	103	22788GT	25	33681GT	65
107054GT	27-28	1268235GT	31	230000GT	75, 77	33720GT	97
107056GT	65	1274982GT	127	23057GT	17-18	33724GT	77
107057GT	65	1274983GT	127	231237GT	123	33994GT	99
107058GT	65	1275097GT	127	23394GT	79, 81, 83	34643GT	115, 117, 119, 121
107059GT	65	1277226GT	71-72	23396GT	79, 81, 83, 97	34732GT	21
107060GT	65	1278538GT	27-28	23787-SGT	79, 81, 83	35039GT	68, 72
107061GT	65	1278539GT	27-28	23788GT	79, 81, 83	35049GT	79, 81
107063GT	21	1278540GT	27-28	23838GT	93	35464-418-SGT	27-28
107064GT	21	1280665GT	67-68	23903GT	17-18, 127	35497GT	115, 117, 119, 121
107167GT	67-68	12906GT	49	24036GT	57, 61		
10775GT	75, 77	13066GT	21	24085GT	25	35642GT	51
10777GT	75	133046GT	15	24537GT	85, 88, 91	35643GT	51
109820GT	95	13585GT	75	25388GT	67-68	35695GT	43, 45, 47
109870GT	49	13755GT	103, 111, 113, 115, 117, 119, 121	25628GT	111, 115, 117, 119	35697GT	43, 45, 47
109968GT	99					35698GT	43, 45, 47
109973GT	113					35699GT	43, 45, 47
109974GT	113					35703-6813GT	43, 45, 47
109975GT	113, 121					35704-6813GT	43, 45, 47
109976GT	113	13757GT	111, 113, 115, 117, 119, 121	25926GT	79, 81, 83	35705GT	43, 45, 47
109977GT	113, 121			26780GT	87-88	35706GT	31, 33, 35, 37, 39, 41
109978GT	113			26785GT	87-88, 91		
109979GT	113	13863GT	97	26787GT	87-88	35707GT	31, 33, 35, 37
109980GT	113, 121	13921GT	111, 113, 115, 117, 119, 121	27262GT	59	35709GT	31, 33, 35, 37
109982GT	113, 121			27762GT	109	35710GT	31, 33, 35, 37
109983GT	121	14016GT	93	27807GT	99	35711GT	33, 35, 37
109984GT	113, 121	14033GT	25	27857GT	11, 13	35712GT	43, 45, 47
109988GT	49	14182GT	39, 41	27865GT	11, 13	35714GT	43, 45, 47
11306-6650GT	97	14295GT	35, 65	27868GT	11, 13	35715GT	33, 35, 37
11307GT	97	144161GT	59, 61, 63, 67-68	28083GT	97	35722GT	33, 35, 37
11335GT	95	145000GT	101	28157GT	11	35724GT	103
115149GT	71-72	145001GT	101	28174GT	11, 13, 15	35725GT	103
115150GT	71-72	145002GT	101	28235GT	11, 13, 15	35726GT	103
115151GT	71-72	145003GT	101	28372GT	11, 13	35727PGT	31
11806GT	28	145004GT	101	28487GT	55, 97	35730GT	49
11890GT	43, 45, 47	145005GT	101	28750GT	99	35733GT	49
11978GT	97	145006GT	101	29860GT	17-18	35734GT	49
12011GT	65	145007GT	99, 101	29969-SGT	17-18	35757GT	31
12013GT	87-88, 91	145047GT	68, 72	29970-SGT	18	35758GT	33, 35, 37
12340GT	111, 113, 115, 117, 119, 121	145094GT	101	29975GT	21	35759GT	35, 37
		145095GT	101	29988GT	21		
		145096GT	101	30748GT	25		

Part Number	Page	Part Number	Page	Part Number	Page	Part Number	Page
35760GT	35	38122GT	11, 13	40096GT	21	40607GT	117, 119, 121
35761GT	33, 37	38142GT	11, 13	40109GT	18	40643GT	115
35786GT	53	38149GT	11	40110GT	103	40647GT	115
35846GT	72	38151GT	105, 107	40207GT	27-28	40704GT	105, 107
35991GT	31, 33, 35, 37, 49, 51, 79, 81, 83	38152GT	105, 107	40215GT	115, 117, 119, 121	40707GT	97
37134GT	11	38153GT	105, 107	40217PGT	27-28	40735GT	79, 81, 83
37141GT	11, 13	38154GT	105, 107	40256GT	87-88	40752GT	27-28
37143GT	11, 13	38155GT	105, 107	40257GT	87-88	40945GT	43, 45, 47
37144GT	11, 13	38156GT	105, 107	40258GT	87-88	40946GT	31, 33, 35, 37
37145GT	11, 13	38159GT	105	40261GT	87-88	41024GT	77
37278GT	18	38160GT	105, 107	40262GT	87-88	41055GT	53
37282GT	21	38161GT	105	40265GT	87-88, 91	41077GT	49
37283-SGT	51	38163GT	105, 107	40267GT	39	41079GT	91
37284PGT	31	38165GT	57, 61	40268GT	93	41218GT	57
37298GT	21	38166GT	57, 59, 61	40269GT	93	41219GT	127
37313GT	21	38172GT	61	40270GT	93	41220GT	127
37329-SGT	18	38173GT	59, 61	40271GT	93	41224GT	43, 45, 47
37330PGT	127	38174GT	59, 61	40277GT	71-72	41227GT	79
37342GT	51	38175GT	57, 61	40278GT	67-68	41251GT	97
37343GT	17-18	38187GT	43, 45, 47	40279GT	71-72	41288GT	61
37344GT	18	38202GT	85	40280GT	71-72	41292GT	85, 91
37350GT	21	38203GT	85	40281GT	65	41374GT	97
37363GT	17-18	38204GT	85, 87-88	40282GT	65	41452-SGT	123
37364GT	18	38207GT	83	40283GT	67-68	41546GT	77
37368GT	95	38211GT	79, 81, 83	40285GT	81, 83	42492GT	28
37369GT	95	38212GT	55	40287GT	39	4266GT	85, 88
37371GT	95	38213GT	55	40288GT	39	43078GT	125
37373GT	95	38215GT	55	40301GT	55	43136GT	123
37374GT	97	38216GT	67-68, 72	40313GT	49	43657GT	11, 13
37377GT	97	38217GT	67-68, 71-72	40314GT	49	43700GT	23
37378GT	97	38218GT	87-88	40318GT	105, 107	43833-SGT	25
37379GT	97	38219GT	87-88	40319GT	105, 107	43834GT	25
37383GT	97	38220GT	87-88	40326GT	95	43929GT	23
37384GT	43, 45, 47	38223GT	87-88	40334GT	68, 72	43953GT	109
37385GT	43, 45, 47	38226GT	125	40335GT	72	43956GT	72
37386GT	43, 45, 47	38234GT	49	40336GT	68, 72	43963GT	27-28
37387GT	43, 45, 47	38244GT	23	40389PGT	25	44228GT	109
37391GT	85, 91	38252PGT	23	40392GT	105, 107	44229GT	109
37429GT	18	38314GT	53	40394GT	57	44236GT	109
37441GT	25	38315GT	53	40395GT	57	44292-SGT	25
37668GT	95	38316GT	33, 35, 37	40396GT	57	44324GT	27-28
37682GT	95, 97	38338GT	87-88, 91	40397GT	105	44326GT	27-28
37686GT	33, 35, 37	38339GT	49	40399GT	105, 107	44327GT	27-28
37690GT	97	38368GT	17-18	40400GT	105, 107	44338GT	27-28
37692GT	97	38447GT	31, 33, 35, 37	40401GT	105, 107	44662GT	25
37704GT	67-68, 72	38491GT	17-18	40406GT	99	44813GT	11
37719GT	87-88, 91	38492GT	18	40407GT	99	44895GT	49
37732GT	87-88	38493GT	17-18	40408GT	99	44973GT	109
37751GT	23, 25	38494GT	18	40417GT	103	44977GT	91
37754GT	25	38495GT	27-28	40426GT	105	44978GT	91
37761GT	18, 27-28	38582GT	87-88	40430GT	105, 107	44979GT	103
37764-SGT	65	38583GT	68, 72	40434GT	13, 15	44991GT	105, 107
37765-SGT	65, 123	38586GT	85, 87-88	40436GT	51, 127	44997GT	109
37868GT	111, 113, 115, 117, 119, 121	38601GT	31	40437GT	51	44999GT	11
37875GT	109	38623GT	18	40452GT	17-18	45074GT	25
37947GT	67-68, 71-72	38698GT	17-18	40453GT	17-18	45374GT	117, 119, 121
37979GT	87-88	38709GT	31, 33, 35, 37	40455GT	17-18	45383GT	123
38001PGT	51	38728GT	39, 97	40456GT	17-18	45415GT	113, 115, 117, 119, 121
38005GT	39, 41	38730GT	53	40457GT	17-18	45425GT	31, 33, 35, 37
38011GT	31, 33, 35, 37	38735GT	95	40475GT	99	45437GT	75
38013GT	31, 33, 35, 37	38906GT	51	40476GT	99	45470GT	17-18, 123
38014GT	39, 41	38962GT	97	40477GT	103	45543GT	109
38016GT	31, 35	38963GT	95	40478GT	31	45912GT	109
38017GT	68, 72	38964GT	95	40483GT	95, 97	46018PGT	27-28
38018GT	68, 72	38965GT	95	40503GT	25	46049GT	105, 107
38021GT	71-72	38966GT	95	40507GT	72	46051GT	105, 107
38026GT	39, 41	38968GT	28	40508GT	55	46078GT	79, 81, 83
38028GT	31	38975GT	21, 95	40570GT	11	46089GT	27-28
38030GT	97	38979GT	18, 49	40571GT	103	46182-SGT	81
38031GT	95	38980GT	43, 45, 47	40572GT	27-28	46212GT	11
38068GT	103	38983GT	33, 35, 37	40573GT	97	46215GT	109
38116GT	11, 13	38986GT	43, 45, 47	40595GT	127	46216GT	109
38117GT	11, 13	39346GT	109	40604GT	51	46217GT	109
38119GT	11, 13	39872GT	113, 121	40605GT	21	46257GT	109
		39875GT	111, 115	40606GT	51	46258GT	109
		40004GT	51, 53, 65				



Part Number Index (continued)

Part Number	Page	Part Number	Page	Part Number	Page	Part Number	Page
46300GT	21	6090GT	17-18, 23, 25, 33, 35, 49, 55, 97	6935GT	23, 67-68, 72, 77, 123	82366GT	11, 13, 15
46308GT	59					824457GT	87-88
46309GT	59	6091GT	18, 27-28, 39,	69550GT	99	824462GT	87-88, 91
46310GT	59		41, 49, 51, 79,	69594GT	25	824472GT	87-88, 91
46311GT	59		81, 83, 85, 87-	69595GT	21	824510GT	87-88
46312GT	59		88, 91, 97, 125	69623GT	72	82475GT	15
46314GT	59	6095GT	43, 45, 47	69845GT	68, 72	82481GT	15
46317GT	59	6097GT	17-18, 21, 25,	69846GT	72	82487GT	15
46410GT	81		31, 33, 35, 37,	69847GT	67-68	825155GT	23
46440GT	63		39, 41, 51, 93,	69855GT	39, 41	8255GT	21, 23, 37, 77
46441GT	63		95, 97	69864GT	68, 72	82614GT	15
46561PGT	18	6145GT	55	7056GT	67-68, 72, 77, 81	82782GT	11, 13, 15
46608GT	72	6175GT	21, 25, 65, 85,	7057GT	75, 77, 81, 83	82802GT	13, 15
46609GT	72		87-88, 95, 125	71706GT	59, 61, 63	82887GT	11
46610GT	72	6198GT	25, 65	72086GT	11, 13, 15	82907GT	11, 13
46613GT	25	62045GT	11, 13, 15	72282GT	123	82913GT	15
46681GT	28	62046GT	11, 13, 15	72326GT	123	82914GT	15
46695-SGT	39	6271GT	39	72844GT	11, 13	82915GT	15
47231GT	93	62996GT	11, 13, 15	7339GT	31, 51, 65, 81, 83	82974GT	15
48282GT	59, 61, 63	6356GT	18, 23, 27-28,	75144GT	39	82975GT	13
4828GT	17-18, 21, 25,		65, 97	7713GT	31, 33, 35, 37,	82986GT	13
	39, 43, 45, 47,	6534GT	43, 45, 47		39, 41, 55, 65,	82987GT	15
	51, 85, 87-88,	6550GT	39, 88		77, 97	83093GT	71-72
	93, 95, 97, 125	65616GT	25	80058GT	93	83095GT	79, 81, 83
48342GT	109	6562GT	123	80071GT	77	8514GT	18
48343GT	109	65804GT	57	80076GT	67-68, 71-72,	8516GT	51
48430GT	28	65874GT	87-88		75, 77	85217GT	105, 107
48519GT	105, 107	6587GT	51	80482-SGT	65	85218GT	105, 107
48520GT	105, 107	6607GT	123	80484-SGT	65	85238GT	99
48614GT	27-28	6633GT	81, 83	80618GT	111, 115, 117,	85239GT	67-68, 71-72
48644GT	11, 13	66355GT	77		119	85241GT	39
48645GT	11, 13	66356GT	77	80619GT	111, 113, 115,	85242GT	39
49006GT	28	6637GT	125		117, 119, 121	85243GT	39
49009-SGT	27-28	6638GT	21, 33, 37, 55,	80620GT	111, 115, 117,	85244GT	39
49011-SGT	28		65, 79, 81, 83,		119	85245GT	17-18
49816GT	123		91, 93, 97, 123	80621GT	111	85246GT	17-18
5115GT	28	66811GT	67-68	80622GT	111, 115, 117,	85247GT	17-18
5135GT	21	66812GT	28, 67-68, 71-		119	85248GT	17-18
5224GT	18		72, 75, 77	80623GT	111, 115, 117,	85249GT	17-18
52912GT	109	66814GT	67-68		119	85253GT	72
52943GT	103	66815GT	67-68, 71-72	80628GT	111, 115, 117,	85276GT	67-68
52996GT	11, 13, 15	66816GT	67-68, 71-72,		119	85279GT	21
5311GT	21		75, 77	80629GT	111, 113, 115,	85280GT	21
5361GT	95	66817GT	28, 67-68, 71-72		117, 119, 121	85315GT	71-72
5365GT	27-28	66818GT	28, 67-68, 71-	80630GT	111, 115, 117,	85318GT	71-72
5397GT	17-18, 21, 43,		72, 75, 77		119	85320GT	71-72
	45, 47, 55, 65	66821GT	28, 67-68, 71-	80705GT	68, 72	85327GT	87-88
55010GT	63		72, 75, 77	80706GT	68, 72	85328GT	87-88
55018GT	59, 61, 63	6700GT	97	80707GT	68, 72	85329GT	87-88
55019GT	59, 61, 63	6708GT	51, 93, 97	80709GT	68	85330GT	87-88
55021GT	59, 61, 63	6714GT	51	80710GT	72	85331GT	87-88
56660GT	85	6732GT	17-18	80711GT	27-28, 68, 72	85332GT	87-88
56912GT	18	6782GT	21	80712GT	75, 77	85333GT	87-88
57075GT	77	6833GT	93	80713GT	75, 77	85334GT	87-88
57098GT	21	6878GT	27-28	80714GT	75, 77	85335GT	87-88
57116GT	87-88	6884GT	87-88, 91	80715GT	75, 77	85336GT	87-88
57138GT	87-88	6886GT	17-18, 25	80716GT	75, 77	85337GT	91
57159GT	55, 127	6888GT	18, 27-28, 79,	80719GT	75, 77	85338GT	91
57161GT	127		81, 83, 85, 87-88	80889GT	63	85339GT	91
57168GT	109	6889GT	18, 21, 55, 79,	80938GT	21, 33, 37, 95	85340GT	91
57200GT	23		81, 83, 93	80940GT	11, 13, 15	85355GT	93
57255GT	109	6898GT	17-18, 97	80943GT	103	85356GT	93
58287GT	105, 107	69223GT	49	80946GT	18	85357GT	93
58288GT	105, 107	69228GT	55, 127	80950GT	103	85358GT	93
58462GT	67-68, 71-72	69229GT	55, 127	80953GT	18	85359GT	97
6002GT	21, 91, 97	69230GT	55, 127	80961GT	97	85360GT	95, 97
6019GT	17-18, 21, 51	69231GT	61	80982GT	97	85361GT	97
6021GT	21, 23, 25, 65, 97	69232GT	39	80989GT	55	85362GT	17-18
6022GT	31, 33, 35, 37	69233GT	39	80990GT	63	85363GT	17-18
60499GT	55	69234GT	39	80993GT	125	85364GT	17-18
6052GT	31, 33, 35, 37,	69235GT	39	80994GT	125	85365GT	17-18
	39, 41	69271GT	27-28	80995GT	125	85367GT	27-28
6082GT	97	69281GT	27-28	80997GT	125	85368GT	27-28
6086GT	17-18, 27-28,	69286GT	28	8149GT	93	85369GT	71-72
	31, 43, 45, 47	69290GT	71-72	8178GT	97	85378GT	65
				823075GT	27-28	85423GT	55

Part Number	Page
85424GT	55
85460GT	63
85473GT	71–72
85474GT	13
85475GT	15
85477GT	27–28
85478GT	28
85479GT	27–28
85486GT	117, 119
85487GT	115, 117, 119, 121
85488GT	117, 119, 121
85489GT	115
85490GT	28
85492GT	28
85494GT	85
85495GT	85
85496GT	85
85497GT	85
85498GT	87–88
85499GT	87–88
8849GT	49
8915GT	51, 79, 81, 83, 91
8920GT	39, 41, 55
90337GT	31
9599-SGT	125
96008-SGT	67–68, 71–72
96010GT	67–68, 71–72
96011GT	67–68, 71–72
96110GT	55, 127
97059GT	63
97519GT	13
97526GT	13, 15
97527GT	13, 15
97537GT	15
97538GT	15
97775GT	13, 15
T112561GT	77
T112563GT	77
T114691GT	28
T114885GT	105, 107

Part Description Index

The Part Description Index is an alphabetical index of all part descriptions included in this manual. The index shows what page(s) the part is used on.

- #**
#6 SQ.DR.SELF DRILL/TAP SCREW.....72
- (**
(The IWP Super Series were produced using 4 different interlock display decals on the ground control box. Refer to the specific decal part number on the control box when ordering replacement part.).....11
- 1**
10 X .5 FLT TS SCREW.....28
- 3**
3/8" NPT CHECK VALVE.....105, 107
3/8" NPT VALVE BREATHER CAP.....105, 107
- A**
ACC,DESCEND LIGHT/ALARM,IWP.....123
ALARM,WARBLE TONE 5-30 VDC***.....123
AMMETER, 12 AMP.....57, 59, 61
ANGLE,CABLE MOUNT,"BLUE".....51
ASM, GATE ARM STD.....87-88, 91
ASM, ARM, LOWER PIVOT STD.....87-88, 91
ASM, GATE ARM ULTRA NRW, UPPER.....87-88
ASM, TUBE AWP NRW GATED.....87-88
ASM, TUBE AWP ULT NRW GATED.....87-88
ASM, UPPER GATE ARM NRW.....87-88
ASSEMBLY,CIRCUIT BREAKER,15AMP.....71-72
ASSY, MAN LWR VALVE W/HNDL,12V.....103
ASSY,SER # LABEL,POWERED/GR **.....11, 13, 15
ASSY,SWITCH,TOGGLE,SPDT*****.....28
- B**
BALL STUD,GAS STRUT (38593)***.....87-88, 91
BALL-CHECK (IWP FOOT PUMP).....99
BASE WITH 1 NC CONTACT, E-STOP.....28, 67-68, 71-72
BASE, W/1 N.O. CONTACTS***.....67-68, 71-72
BASE,WITH 2 N.O. CONTACTS***.....67-68
BASE,WITHOUT CONTACTS.....28, 67-68, 71-72, 75, 77
BATT.BOX, ASSY W/ DECALS.....55
BATT.PACK,12VDC/HI-LO***.....55
BATT.PACK,NO BATT,12VDC-HI/LO*.....55
BATT.SUPPORT WITH STRAP.....51
BATTERY BOX, BLACK WITH LID, GROUP 27.....127
BATTERY BOX,BLK W/ LID, GRP 27.....127
BATTERY HOLDER.....68, 72
BATTERY PLATE W/DECAL,S-SERIES.....55
BATTERY TRAY,IWP,PAINTED.....127
BATTERY,12V GRP 27,105 AH, DRY.....55, 127
BATTERY,12V GRP27TM,105 AH,WET.....55
BATTERY,AA,1.5V.....68, 72
BATTERY,AA,1.5V,CE.....68, 72
BEARING,FLANGE,3/8 (AWP & ST).....97
BEARING,MOTOR.....105, 107
BELL HOUSING,POWER UNIT,CE.....107
BLOCK,INTERLOCK SLIDER IWP.....51
BLOCK,SLIDE,LOWER.....31, 33, 35, 37
BLOCK,SLIDE,UPPER.....31, 33, 35, 37
BOE LUBE.....31
BOLT,CARRIAGE,1/4-20 X .75,G2.....27-28
BOLT,ROLLER,.470"(SHORT).....31, 33, 35, 37, 39, 41
BOLT,ROLLER,.720"(LONG).....21, 95
BOLT,SHIM.....31, 33, 35, 37
BOLT-ROCKER, S-SERIES.....43, 45, 47
BOOT,BATTERY TERMINAL,RED.....55, 127
BOOT,CABLE TERMINAL COVER.....55, 127
BOX,INSTRUCT. STORAGE, S SERIES.....39
BRACE,LH,FRONT MAST.....18
BRACE,LH,FRONT MAST,WIDE BASE.....18
BRACE,LH,REAR MAST.....18
BRACE,LH,REAR MAST,WIDE BASE.....18
BRACE,RH,FRONT MAST.....17-18
BRACE,RH,FRONT MAST,WIDE BASE.....17-18
BRACE,RH,REAR MAST.....17-18
BRACE,RH,REAR MAST,WIDE BASE.....17-18
BRACKET, STEER HANDLE CVR,PWA.....27-28
BRACKET,BOX.....27-28
BRACKET,CONTROL CABLE TENSION.....79, 81, 83
BRACKET,ENABLE HANDLE,PW,CWP.....28
BRACKET,OUTREACH INTERLCK SWTCH.....81
BRACKET,SEQUENCING,UPPER,ZINC*.....49
BRACKET,SEQUENCING,ZINC *.....49
BRACKET,SWITCHES,REAR WHL,CW**.....28
BREATHER CAP.....105
BREATHER CAP (85218).....105, 107
BREATHER CAP,3/8"NPT,NI PLTD.....105, 107
BRKT.LATCH ASSY.GATED,S SERIES.....87-88
BRUSH KIT,12V DC MTR (08111-D).....105, 107
BRUSH KIT,SVC,(MOTOR 38151)***.....105, 107
BUCKLE & SLIDE STRAP SET.....51
BUCKLE,SIDE RELEASE.....51
BUMPER,MAST,RH.....33, 35, 37
BUMPER,RUBBER.....87-88, 91
BUSHING 0.75 ID.....21
BUSHING,1.5 X 3/8 OD X 1/4 ID.....87-88, 91
BUSHING,BRONZE,1 X 1.375 X .75.....23, 25
BUSHING,CLIP,5 ID.....97
BUSHING,FLANGE,.75ID X .875OD.....95
BUSHING,FLANGE,3/8 OD X 1/4 ID.....49
BUSHING,STRAIN RELIEF, 53/64".....79, 81, 83
BUSHING-6671 CHARG.,MOD# 6685.....57
BUSHNG,SPANNER,.75X1.00X3.5 LG.....21
BUTTON, STOP, RED.....75, 77
BUTTON,PUSH,BLACK W/SEAL.....67-68, 71-72, 75, 77
BUTTON,PUSH,RED MUSHROOM HEAD.....28, 67-68, 71-72, 75, 77
BUTTON,STOP,RED.....75, 77
- C**
CABLE ASSY,ANDRSN,26",15S-30S.....55
CABLE ASSY,BAT PACK/CLAMP POST.....55
CABLE ASSY,BAT PACK/RING-TERM.....55, 127
CABLE ASSY,HANDLE IWP W/PWR **.....27-28
CABLE ASSY,IWP PWR ASS.HANDLE*.....27-28
CABLE ASSY,SEQ.MAST,DPL.....49
CABLE ASY,A/IWP/DPL,PWR INPUT.....67-68
CABLE ASY,AWP,GCBOX TO MOTOR.....67-68
CABLE,ASSY,SEQ.CARRIAGE**.....49
CABLE,RELEASE & HANDLE ASSY.....51
CAPACITOR, CE CHARGER, 46588.....59
CAPACITOR,MOTOR.....105, 107
CARRIAGE ASSY,-15,-25,-36,SYM.....39
CARRIAGE ASSY,-20S,-30S,SYM.....39
CARRIAGE ASSY,-20S,-30S,WORDS*.....39
CARRIAGE ASY,-15,-25,-36,WRDS*.....39
CARRIAGE ASY,-20,-30,ALUM,WRD*.....39
CARRIAGE ASY,-20,-30,FBRG,WRD*.....39
CARRIAGE ASY,-20S W/ OUTREACH.....41
CARTRIDGE W/ NUT.....107
CARTRIDGE WITH NUT***.....105, 107
CASE ASSY, CE CHARGER, 46588.....59
CASTER 5" W/ROLLER BEARING.....21
CASTER PL,SW.5X2, 1000 LBS.....21
CASTER,BUMP.....21
CHAIN ASSY#1,72.5"COL.S-SERIES...43, 45, 47
CHAIN ASSY#2,72.5"COL.S-SERIES...43, 45, 47
CHAIN ASSY,72.5"COL. S-SERIES.....43, 45, 47
CHAIN ASSY,72.5COL.(SM)S-SERIE.....43, 45, 47
CHAIN CONN.LINK #35 3/8 X 3/16.....97
CHAIN TENSION ROCKER CAST.ZINC.....43, 45, 47
CHAIN TERM,CLEVIS CYL.,ZINC.....43, 45, 47
CHAIN TERM,PULLEY SUPORT-ZINC.....43, 45, 47
CHAIN TERM,PULLEY SUPPORT-ZNC.....43, 45, 47
CHAIN TERM.LWR.SS(1 SLOT).....43, 45, 47
CHAIN TERM.LWR.SS(2 SLOT)*.....43, 45, 47
CHAIN TERMINAL CASTING,#1.....43, 45, 47
CHAIN, ROLLER,#35, 66.5".....97
CHAIN,STD.LEAF AL522,68.13".....43, 45, 47
CHAIN,STD.LEAF AL544,68.13".....43, 45, 47
CHARGER,12VDC HI/LO, AWP/IWP.....63
CIRCUIT BREAKER, 8 AMP **.....71-72
CIRCUIT BREAKER,2AMP,WW.....61
CIRCUIT BREAKER,3A.....71-72
CIRCUIT BREAKER,4 AMP 38581.....57
CIRCUIT BREAKER,6A.....71-72
CIRCUIT BREAKER,8A SP.....71-72
CIRCUIT BREAKER,INPUT CE CHARG.....59
CIRCUIT BREAKER,OUTPUT CE CHAR.....59
CIRCUIT BREAKER-LESTER CHARGER..57, 61
CLAMP, MOUNTING,(FOR 85219)***.....105, 107

CLAMP,0.31,#5 X 1/4,RUB CUSH.....17-18, 123	DECAL, LABEL - CHEVRON RANDO.....11, 13, 15	DECAL,NOTICE,SIDE FORCE ANSI.....13
CLAMP,0.50,#8 X 1/4,RUB CUSH.....93	DECAL, LABEL, CIRCUIT BREAKER.....11, 13	DECAL,NOTICE,SIDE FRC/WIND,CE.....11
CLAMP,1.13,#18 X 1/4,RUB CUSH.....51	DECAL, LABEL, PWA OPER INST.....11, 13	DECAL,POWER TO PLATFORM 115V.....11, 13, 15
CLAMP,1.50,#24 X 1/4,RUB CUSH.....51	DECAL, MANUAL LOWERING VALVE.....11, 13	DECAL,SYMBOL-BATTERY SAFETY.....15
CLAMP,PLATFORM MOUNT.....85, 87-88	DECAL, NOTICE, LOAD CAP 350.....11, 13	DECAL,SYMBOL-FOOT CRUSHING.....15
CLIP,HAIR PIN .094 X 2.5.....21	DECAL, NOTICE, MANUAL LOWERING.....11, 13	DECAL,USE DEXRON***.....11
COIL CORD,16/6,24"COIL.....81, 83	DECAL, POWER TO PLATFORM 230V**.....11, 13, 15	DECAL,WARNING,COLLISION HAZARD...11, 13, 15
COIL,10V DC***.....105, 107	DECAL, SYMBOL - READ THE MANUAL.....15	DECAL,WARNING,FAILURE TO READ.....11, 13
COIL,12 VOLT (21299 MANIFOLD).....109	DECAL,BUBBLE LEVEL***.....11, 13	DOWN STOP.....97
COIL,12V DC.....103	DECAL,CAUTION,8A MAX.115V AC**.....11, 13	
COIL,SOLENOID,IWP-S/CWP PWR AS.....109	DECAL,CAUTION,COLLISION HAZARD.....11	E
COLUMN ASSY,72.5"SS (#1).....31	DECAL,CAUTION,CRUSHING HAZARD.....11, 13	ELBOW,070202-4-4.....111, 115, 117, 119
COLUMN,72.5"SS (#2).....31	DECAL,COMPONENT DAMAGE,CAP.....11, 13	ELBOW,070220-4-4...111, 113, 115, 117, 119, 121
COLUMN,72.5"SS (#3 OR #5)***.....33, 35, 37	DECAL,COSMETIC,GENIE IWP-20S...11, 13, 15	ELBOW,070220-4-6...111, 113, 115, 117, 119, 121
COLUMN,72.5"SS (#4 OR #6)***.....33, 37	DECAL,COSMETIC,GENIE IWP-25S...11, 13, 15	ELBOW,070221-4-4.....113, 115, 117, 119, 121
COLUMN,72.5"SS (#4)***.....35, 37	DECAL,COSMETIC,GENIE IWP-30S...11, 13, 15	EXTRU.,MACHINED,BACK,OUTREACH.....95
CONN, SQZ, 1/2NPT .38-50, SM**.....67-68, 72, 77, 81	DECAL,COSMETIC,GENIE LOGO.....11, 13, 15	F
CONN, SQZ, BLK, 1/2NPT, .38-.50, SM.....23, 27- 28, 123	DECAL,DANGER, LOAD CAP 300.....15	FILTER,PICK-UP SCREEN***.....105, 107
CONN. GRND.1/2",90DEG.SM.WIRE.....23	DECAL,DANGER, LOAD CAP 350.....15	FITTING-4 W/.030 ORIFICE.....111, 113, 115, 117, 119, 121
CONN. SQZ,1/2NPT .39-.56 MED.....75, 77, 81, 83	DECAL,DANGER,BATTERY SAFETY.....11, 13	FLAP,CARRIAGE COVER***.....53
CONNECTOR, NYLON END (35893)**.....87- 88	DECAL,DANGER,COLLISION HAZARD.....13, 15	FLAP,MAST COVER #1,#3,& #5.....53
CONNECTOR,070120-4-10.....115, 117, 119, 121	DECAL,DANGER,GENERAL SAFE,IWP.....11, 13	FLAP,MAST COVER #2 & #4.....53
CONNECTOR,070120-4-4.....103, 111, 113, 115, 117, 119, 121	DECAL,DANGER,SIDE FRC/WIND,CE.....15	FLASHTUBE,STRAIGHT,360DEG,BULB....123
CONNECTOR,ANDERSON SB 175,1/0G.....55	DECAL,DANGER,TIP-OVER HAZARD.....11, 13	FOOT PAD WELDMNT,FRONT.....17-18
CONNECTOR,FEMALE,PANEL MOUNT*.....72	DECAL,DANGER,TIP-OVER,OUTREACH..11, 13	FOOT PAD WELDMNT- REAR.....18
CONNECTOR,IEC 320 INLET.....63	DECAL,DANGER,TIP OVER.....11, 13	FOOT PAD,NYLON,MOLDED.....17-18
CONNECTOR,MALE,PANEL MOUNT*.....72	DECAL,INPUT POWER,110VAC.....15	FOOT PEDAL ARM WELD,WIDE BASE.....21
CONTACT,N.O.***.....67-68, 71-72, 75, 77	DECAL,INPUT POWER,230VAC.....15	FOOT PEDAL ARM WELDMNT IWP.....21
CONTACT,NC.....28, 67-68, 71-72, 75, 77	DECAL,INTERLOCK DISPLAY,IWP.....11, 13, 15	FOOT PEDAL W/NON SKID, STD ***.....21
CONTACTOR BLOCK,N.C.....75, 77	DECAL,INTRLCK DSPLAY,IWP.....11	FORMED,HANDLE,ZINC,OUTREACH.....97
CONTACTOR BLOCK,N.O.....75, 77	DECAL,LABEL, CONTROL ACTIVATE.....11	FORMING, BATTERY TRAY.....127
CONTROL BOX, ONE BUTTON, CE.....77	DECAL,LABEL, OM STORAGE.....11, 13	FORMING, LASER LOCATOR.....125
CONTROL BOX,THREE BUTTON.....75, 77	DECAL,LABEL,AUX LOWERING.....15	FORMING, SENSOR BOX BOTTOM.....18
CORDSET-AC (38581 CHARGER).....57	DECAL,LABEL,FOOT PAD LOAD IWP.....13, 15	FORMING, SENSOR BOX COVER.....18
COUPLER BAR,3.56",OUTREACH.....95	DECAL,LABEL,FUNCTION ENABLE.....13, 15	FORMING, SENSOR MOUNT, SERVICE.....18
COUPLER BAR,4.31",OUTREACH.....95	DECAL,LABEL,FUNCTN ENABL LEVER...11, 13, 15	FORMING, SEQUENCING, CARR, ZN....49
COUPLING,3/8X1.12,BRASS.....105, 107	DECAL,LABEL,LIFTING EYE.....11, 13, 15	FORMING,COVER,OUTREACH.....97
COVER,BATTERY.....68, 72	DECAL,LABEL,PATENTS.....11	FORMING,HAND GUARD**.....27-28
COVER,BLANK.....75	DECAL,LABEL,WHEEL LOAD, IWP.....13, 15	FORMING,HAND GUARD,PWA,CWP**.....27- 28
COVER,CAPACITOR.....105, 107	DECAL,LANYARD ANCHORAGE POINT...13, 15	FORMING,OUTREACH PIVOT.....95
COVER,CHARGER #38581.....57	DECAL,NOTICE, LOAD CAP 300.....11, 13	FORMING,SEQUENCING CABLE BRKT....49
COVER,COUNTERWEIGHT,IWP.....17-18	DECAL,NOTICE,BATTERY CABLES.....11, 13	FORMING,STEER HNDLE CVR,PWA....27-28
COVER,DIR.,REVERS,SWITCH**.....27-28	DECAL,NOTICE,OPER.INST.,IWP-S.....11, 13	FORMING,UPPER BOX W/PWA**.....27-28
COVER,GFCI,WEATHERPROOF.....75		FUSE HOLDER, CHARGER.....57, 61
COVER,MOTOR W/SYMBOL,AWP/IWP.....65		FUSE,3 AMP.....57, 61
COVER,MOTOR W/WORDS,AWP/IW.....65		FUSE,5 AMP.....68, 72
COVER,POWER DRIVE,IWP,"BLUE".....23		FUSE,5 AMP,ATC.....68, 72
COVER-REVERSE SWITCH W/ DECL**.....27- 28		FUSE,7.5 AMP,ATC.....27-28, 68, 72
CUSHION, LASER LOCATOR.....125		FUSE,BATTERY CHARGER***.....63
CYLINDER,LIFT 56.25"STROKE,DY*.....103		G
CYLINDER,WHEEL LIFT, DY.....18		GAS STRUT,20LB,13"EXT-9"CLOSED.....87- 88, 91
D		GASKET, UK & DIN PWR. TO PLAT.....77
DECAL KIT SFTY/INST. IWP-S.....11		GASKET, UK RECEPTACLE.....77
DECAL KIT SFTY/INSTR IWPS,SYM.....15		GAUGE-SIGHT.....105
DECAL KIT SFTY/INSTR IWPS,WRD.....13		GLIDE BUTTON,SIDE,GLL,.100 TK....43, 45, 47
DECAL PLATE W/DECAL,OUTREACH.....97		GRND CNTRL BOX ASSY,85V AC,JA*.....71- 72
DECAL PLATE,OUTREACH,SYMBOL.....97		
DECAL, INTERLOCK DISPLAY IWPS.....11		
DECAL, INTERLOCK DISPLAY IWPS*.....11		

- NUT,NYLOCK,5/16-18.....21
 NUT,RETAINER (96008).....67-68, 71-72
 NUT,SOLENOID VALVE 2P3W.....109
 NUT,SOLENOID VALVE COIL.....103
 NUT,SOLENOID VALVE***.....105, 107
 NUT,WELD 1/4-20, PLATED L.L.**.....31, 33,
 35, 37, 49, 51, 79, 81, 83
 NUT,WELD,ANGLE,1/4" T-SLOT.....53
 NUT,WING 5/16-18.....55, 127
 NUT,WING,3/8-16.....55, 127
 Nylon Sleeve.....115
- O**
- O-RING KIT,FIELD SVC,ALL PROD*.....99
 ORIFICE,0.030.....101
 OUTLET BOX CAP.....81, 83
 OUTLET BOX,OVAL,DRILLED (LL19).....81, 83
 OUTLET BOX,TEE (T19).....81
 OUTLET, 110V.....75
 OTR FRAME ASSY,STD.....17-18
 OTR FRAME ASSY,STD,IWP-20.....17-18
 OTR FRAME ASSY,STD,IWP-20S.....17-18
 OTR FRAME ASSY,WIDE.....17-18
 OTR FRAME ASSY,WIDE BASE.....17-18
 OTR FRAME ASSY,WIDE,IWP-25S.....17-18
 OTR FRAME ASSY,WIDE,IWP20/25.....17-
 18
 OTR FRAME ASSY,WIDE,IWP20/30.....17-
 18
 OTR FRAME ASSY,WIDE,IWP30.....17-18
 OTR FRAME ASY,STD,IWP-20S.....17-18
 OTR FRAME ASY,STD,IWP20S,SYM.....17-
 18
 OUTREACH-PLAT.MNT W/WORD
 DECAL.....95, 97
 OUTREACH-PLAT.MOUNT,SYM DEC.....97
- P**
- PCB,ASSY,AWP/IWP/DPL/CWP.....68, 72
 PIGTAIL,ASSY,AC/DC SJO 14/3**.....72
 PIN CONNECTOR,FEMALE ***.....79, 81, 83
 PIN CONNECTOR,MALE.....79, 81, 83
 PIN,CLEVIS,.75 X 4.5 LG.....95
 PIN,CONNECTOR,IEC320.....63
 PIN,COTTER,.125 X 1.5.....95
 PIN,GROOVED,.200 X .50*.....43, 45, 47
 PIN,GROOVED-.200 X .75*.....43, 45, 47
 PIN,PULL.....87-88
 PIN,ROLL,SST,.25 X 2.25.....18
 PIN,SPRING,.25X.75 ZINC PLATED.....87-88,
 91
 PIPE ADAPTER, 3/4-11 NPT.....105, 107
 PLAT ASSY W/DECALS,SYMBOL***.....87-88
 PLAT ASSY,STD,WORD,AWP/IWP.....85
 PLAT ASSY-GTD/NAR-SYMBL,IWPSS.....87-
 88
 PLAT ASSY-GTD/NAR-WORDS-IWPSS.....87-
 88
 PLAT ASSY-GTD/STD-SYMBOLS*****.....87-
 88
 PLAT ASSY-GTD/STD-WORDS.....87-88
 PLAT ASSY-GTD/ULTRA-NRW/WORDS.....87-
 88
 PLAT ASSY-NARW FIBER, WORD,IWP.....93
 PLAT ASSY-NARW FIBER,SYMBL,IWP.....93
 PLAT ASSY-STD FIBER, SYMBL,IWP.....93
 PLAT ASSY-STD FIBER, WORD,IWP.....93
- PLAT.ASSY W/DECALS,GATED,NRW.....87-
 88
 PLAT.ASSY W/DECALS,GATED,ULTRA.....87-
 88
 PLAT.ASSY-STD-SYMBLS,IWP/AWP.....85
 PLAT.ASSY.FIBER,W/DECALS.....93
 PLAT.ASSY.W/ DECALS NRW. FIBER.....93
 PLAT.ASSY/DECALS,STD,AWP/IWP.....85
 PLATE, LASER LOCATOR.....125
 PLATE, SENSOR BOX SIDE.....18
 PLATE, SLIDER- CHAIN IWP.....97
 PLATE,12V CHARGER MOUNT.....55
 PLATE,BATTERY BOX HOOK,PAINTED.....55
 PLATE,BEARING MOUNT IWP.....25
 PLATE,CABLE STRIKER IWP.....31
 PLATE,CONTROL BOX,"BLUE".....65, 123
 PLATE,CONTROLS MOUNTING.....77
 PLATE,CYLINDER MOUNT,PAINTED.....31
 PLATE,FOOT PEDAL STOP.....21
 PLATE,FRMD,PLATFORM PIVOT.....95
 PLATE,HANDLE LOCK,PAINTED.....25
 PLATE,HINGE.....87-88
 PLATE,HYD.MOTOR MOUNT.....25
 PLATE,HYDR.COVER,IWP"BLUE".....18
 PLATE,MOTOR MOUNT,"BLUE".....65
 PLATE,PANEL,AWP95.....67-68, 72
 PLATE,PLATFORM PIVOT,OUTREACH.....95
 PLATE,POWER MOUNT COVER**.....23
 PLATE,PUMP LINKAGE, "ZINC".....21
 PLATE,REINFORCEMENT,PAINTED**.....51
 PLATE,SHIM.....87-88
 PLATE,STROBE/ALARM MTG,PAINTED....123
 PLATE,SWITCH MOUNTING-OUTREACH...97
 PLATE,UK POWER TO PLATFORM.....77
 PLATE,UK,POWER TO PLAT.....77
 PLATE,WHEEL BEARING MOUNT.....25
 Platform Assembly with Decals.....91
 PLATFORM ASSY,XL-SYMBL,IWP****.....91
 PLATFORM ASSY,XL-WORD,IWP/AWP.....91
 PLUG AND CAP KIT-SERVICE,37 **.....99
 PLUG, PIPE, FLUSH 1/4 PTF.....105
 PLUG, TYPE F, 230A, 50HZ, 16A, IP44.....67-
 68
 PLUG,CONNECTOR,FEMALE*.....79, 81, 83
 PLUG,CONNECTOR,MALE*.....79, 81, 83
 PLUG,EXPANSION.....101
 PLUG,FUSED,250V,13AMP,U.K.**.....67-68
 PLUG,HEX HEAD,090109A-4.....117, 119, 121
 PLUG,NYLON .812 BLACK DOMED.....67-68
 PLUG,NYLON 1.032 BLACK DOMED.....28
 PLUG,ORB #4.....99
 PLUG,PWR,UK,16AMP,3PIN,BLK.....59, 61,
 63, 67-68
 PLUG,SAE #4.....101
 PLUG,SAE #6.....101
 POWER CABLE,MAST TO PLAT.....79, 81
 POWER CABLE,MAST TO PLAT,25-S.....83
 POWER CABLE,MAST/PLAT.....79
 POWER CORD, IEC 320 BLANK, 79".....59, 61,
 63
 POWER CORD, UK 110, 115".....59, 61, 63
 POWER CORD,NOVON, 8".....59, 61, 63
 POWER CORD,NOVON, 98".....59, 61, 63
 POWER CORD,UK-HIGH VOLTAGE, 8".....59,
 61, 63
 POWER CORD,UK-HIGH VOLTAGE, 98".....59,
 61, 63
 POWER CORD,US 110, 79".....59, 61, 63
 POWER CORD,US 110, 8".....59, 61, 63
- POWER CORD-CONT. BOX EURO 220V.....72
 POWER CORD-CONT. BOX UK 110V.....72
 POWER CORD-CONT. BOX UK 220V.....72
 POWER OPTION 12VDC, CWP/SP.....61
 POWER UNIT,110-220 AC***.....105, 107
 POWER UNIT,110/220VAC,50/60HZ.....107
 POWER UNIT,110/220VAC,60HZ.....107
 POWER UNIT,12V DC.....107
 POWER UNIT,12V DC***.....105, 107
 POWER UNIT,85V AC.....107
 POWER UNIT,85V AC***.....105, 107
 PULLEY W/BEARINGS.....31, 33, 35, 37
 PULLEY,ELEC.CNTRL.CABLE,AWP.....79, 81,
 83
 PULLEY,SEQUENCING,NYLATRON.....49
 PULLEY,SMALL CHAIN.....33, 35, 37
- P U M P**
- ASSEMBLY,MONARCH,AC/DC***.....105, 107
 PUMP, FOOT, HYDRAULIC.....99
 PUMP,FOOT IWP.....101
 PWR CABLE,MAST/BASE SUP/SERIES...79,
 81, 83
 PWR CBLE ASSY BATT TO MOTOR.....127
 PWR CBLE ASSY IWP DUAL BATTOPTO.....127
 PWR PACK 220VAC,2-POS KEYSWTC.....65
 PWR PACK,110VAC,2-POS KEYSWTC.....65
 PWR PACK,110VAC,3-POS KEYSWIT.....65
 PWR PACK,110VAC,3-POS KEYSWIT*.....65
 PWR PACK,12VAC,3-POS KEYSWTC.....65
 PWR PACK,12VDC,3-POS KEYSWTC.....65
 PWR PACK,220VAC,3-POS KEYSWTC.....65
 PWR PACK,85VAC,2-POS KEYSWTC.....65
 PWR PACK,85VAC,3-POS KEYSWTC.....65
- R**
- RAIL ASSY-GTD/ULTRA-NRW/SYMBL*.....87-
 88
 RAIL ASSY-GTD/ULTRA-NRW/WORDS.....87-
 88
 RAIL.WELD W/DECALS,GATED,NRW.....87-
 88
 RAIL.WELD W/DECALS,GATED,STD.....87-
 88
 RAIL.WELD W/DECALS,GATED,ULTRA.....87-
 88
 RAIL.WELD W/DECALS,GATED,X-LG.....91
 RAILING ASSY,GTD-XLG, WORD,IWP.....91
 RAILING ASSY,GTD-XLG,SYMBL,IWP.....91
 RAILING ASSY,SYMBOLS,AWP&IWP**.....85
 RAILING ASSY,WORD, AWP-IWP&CWP.....85
 RAILING ASSY,WORD,AWP&IWP.....85
 RAILING ASSY-GTD/NAR-SYMBL,IWP.....87-
 88
 RAILING ASSY-GTD/NAR-WORDS-IWP.....87-
 88
 RAILING ASSY-GTD/STD-SYMBOLS**.....87-
 88
 RAILING ASSY-GTD/STD-WORDS.....87-88
 REDUCER,NYLON, 3/4NPT X 3/8NPT.....105,
 107
 RELAY,CHARGER CE, 46588.....59
 RELAY,MOTOR CONTACTOR.....72
 RESERVOIR W/DECAL,PLASTIC***.....105,
 107
 RESERVOIR W/DECAL,SUPER SERIES...105
 RETROFIT KIT,MAST SEQ,IWP20.....49
 RETROFIT KIT,MAST SEQ,IWP25.....49
 RETROFIT KIT,MAST SEQ,IWP30.....49
 RIVET,ALUM,ALUM,.25 X 1.125 AL.....39, 41

T O E B O A R D W W/DECALS,ULTRA,NARROW.....87-88
 TOEBOARD-STD.W/DECALS AWP/IWP.....85, 87-88
 TOEBOARD-STD.W/DECALS,X-LARGE.....91
 TOOL TRAY.....125
 TRANSFORMER (S-SERIES)****72
 TRANSFORMER, 85V TO 105V, JA.....72
 TRANSFORMER, CE CHARGER, 46588.....59
 TRANSFORMER, CHARGER (31188).....61
 TRANSFORMER, CHARGER (38581).....57
 TUBE CADDY,AWP PLATFORM***.....125
 TUBE, RETURN.....105, 107
 TUBE, SPACER, BATTERY TRAY.....127
 TUBE,COUPLER BAR 6.156",ZINC.....95
 TUBE,HOUSING DRIVE SHAFT.....97
 TUBE,HOUSING IDLER SHAFT.....97
 TUBE,MAST MT. REINFORCE,STD.....18
 TUBE,RD,ALUM .75 X .11 X 4.18.....27-28
 TUBE,STD.SLIDING MIDRAIL-21.....85, 91
 TUBE,SUCTION.....105, 107

U

U-BOLT,3/8 X 1 YZ.....39, 88

V

VALVE, PILOT TO OPEN CHECK.....99
 VALVE, RELIEF ADJ (1600 PSI).....101
 VALVE, SOLENOID 2P3W W/O COIL.....109
 VALVE,2-POS 2-WAY***105, 107
 VALVE,3POSITION,4WAY*109
 VALVE,CARTRIDGE***.....103
 VALVE,CHECK.....101
 VALVE,CHECK PO.....101
 VALVE,CHECK***.....99
 VALVE,CHECK, 50 PSI.....109
 VALVE,CHECK,#4 O-RING PORTS.....115, 117, 119, 121
 VALVE,CHECK,IWP-S/CWP PWR ASSI.....109
 VALVE,CROSS PORT RELIEF.....109
 VALVE, FLOW CONTROL PREAS.COMP.....103
 VALVE,HYDRAULIC CHECK.....103
 VALVE,MANUAL RELEASE.....101
 VALVE,MANUAL RELEASE,IWP***.....99
 VALVE,NC SOLENOID,MANUAL LWR.....103
 VALVE,RELIEF 1600 PSI***.....99
 VALVE,RELIEF IWP-S/CWP-S.....109
 VALVE,RELIEF KIT,MONARCH**.....105, 107
 VALVE,SOLENOID.....109
 VALVE,SOLENOID 3 POS.4 WAY***109
 VALVE,SOLENOID,2POS 2WAY N.O.*.....109
 VALVE-CHECK KIT.....105, 107

W

WASHER,FENDER,.25 X 1.25 X.062.....49
 WASHER,FLAT,5 HARDENED.....21
 WASHER,FLAT,502 X 1.747 X.04.....93
 WASHER,FLAT,M10,ZINC PLTD.....79, 81, 83
 WASHER,FLAT,M6 PLTD.....79, 81, 83
 WASHER,FLAT,NYLON.25 X.68 X.03.....97
 WASHER,FLAT,NYLON.515X.88X.093.....97
 WASHER,FLAT,SAE 1/4",ZINC.....39
 WASHER,FLAT,USS,1/2",Y.....43, 45, 47
 WASHER,FLAT,USS,1/4"Y.....21, 33, 37, 55, 65, 79, 81, 83, 91, 93, 97, 123
 WASHER,FLAT,USS,3/8",Y.....17-18, 21, 25, 31, 33, 35, 37, 39, 41, 51, 93, 95, 97

WASHER,FLAT,USS,5/16",Y.....17-18, 21, 43, 45, 47, 55, 65
 WASHER,LOCK,#10 PLTD.....123
 WASHER,LOCK,#6.....28
 WASHER,LOCK,25.....18, 23, 27-28, 65, 97
 WASHER,LOCK,.313.....17-18, 25
 WASHER,LOCK,.375.....21, 23, 25, 65, 97
 WASHER,NYLON.....97
 WASHER,NYLON,.434 X.263X.049.....27-28, 51
 WASHER,RIVETING.....85
 WASHER,SHIM,.265 X .5 X .030.....35, 65
 WASHER,SHIM,.5 X .875 X .063.....31, 33, 35, 37, 39, 41
 WASHER,SHIM,.625 X 1.188X.064.....17-18, 97
 WASHER,SHIM,.938 X 1.37 X .048.....31, 33, 35, 37
 WASHER,SHIM,1.01 X 1.63 X.062.....25
 WASHER,STAR,EXTERNAL,.375.....97
 WASHER,T-SLOT.....53
 WASHER,THRUST,1.5 X 3.5 X .187.....25
 WELDMNT, POWER WHEEL ASSEMBLY.....23
 W E L D M E N T , H A N D L E , P W R WHEEL,IWP.....27-28
 WELDMNT,POWER WHEEL MOUNT***23
 WELDMNT,PWA MOUNT,IWP***.....23
 WELDMNT,STEERING HANDLE,IWP.....51
 WELDMNT,WHEEL PIVOT-IWP.....25
 WELDMNT,MOUNT,POWER DRIVE,IWP*.....23
 WHEEL PIVOT KIT,PWR DRIVE, IWP.....25
 WHEEL, NYLON ROLLER.....21, 33, 37, 95
 WHEEL,8 X 2,1" KEYED HOLE.....25
 WHEEL,PERFORMANCE,10X2.5X.75**.....21
 WIRE CABLE,14/3 CON.TPE JKT*.....72
 WIRE CABLE,16/2 SJO,BULK.....81
 WIRE CABLE,16/4 SJO,BULK.....123
 WIRE LOOM,.413" NON-SLIT***85, 91

This Page Intentionally Left Blank

California Proposition 65



WARNING

Operating, servicing and maintaining this equipment can expose you to chemicals including engine exhaust, carbon monoxide, phthalates, and lead, which are known to the State of California to cause cancer and birth defects or other reproductive harm. These chemicals can be emitted from or contained in other various parts and systems, fluids and some component wear by-products. To minimize exposure, avoid breathing exhaust, do not idle the engine except as necessary, service your equipment and vehicle in a well-ventilated area and wear gloves or wash your hands frequently when servicing your equipment or vehicle and after operation. For more information go to www.P65Warnings.ca.gov/passenger-vehicle.

Parts Manual
IWP Super
Series

from SN 4096-101 to 4001-4413
from SN IWP02-4205 to IWP16-9834
from SN IWP16G-9835 to IWP16G-11999

Part No.
38140

Rev H4

